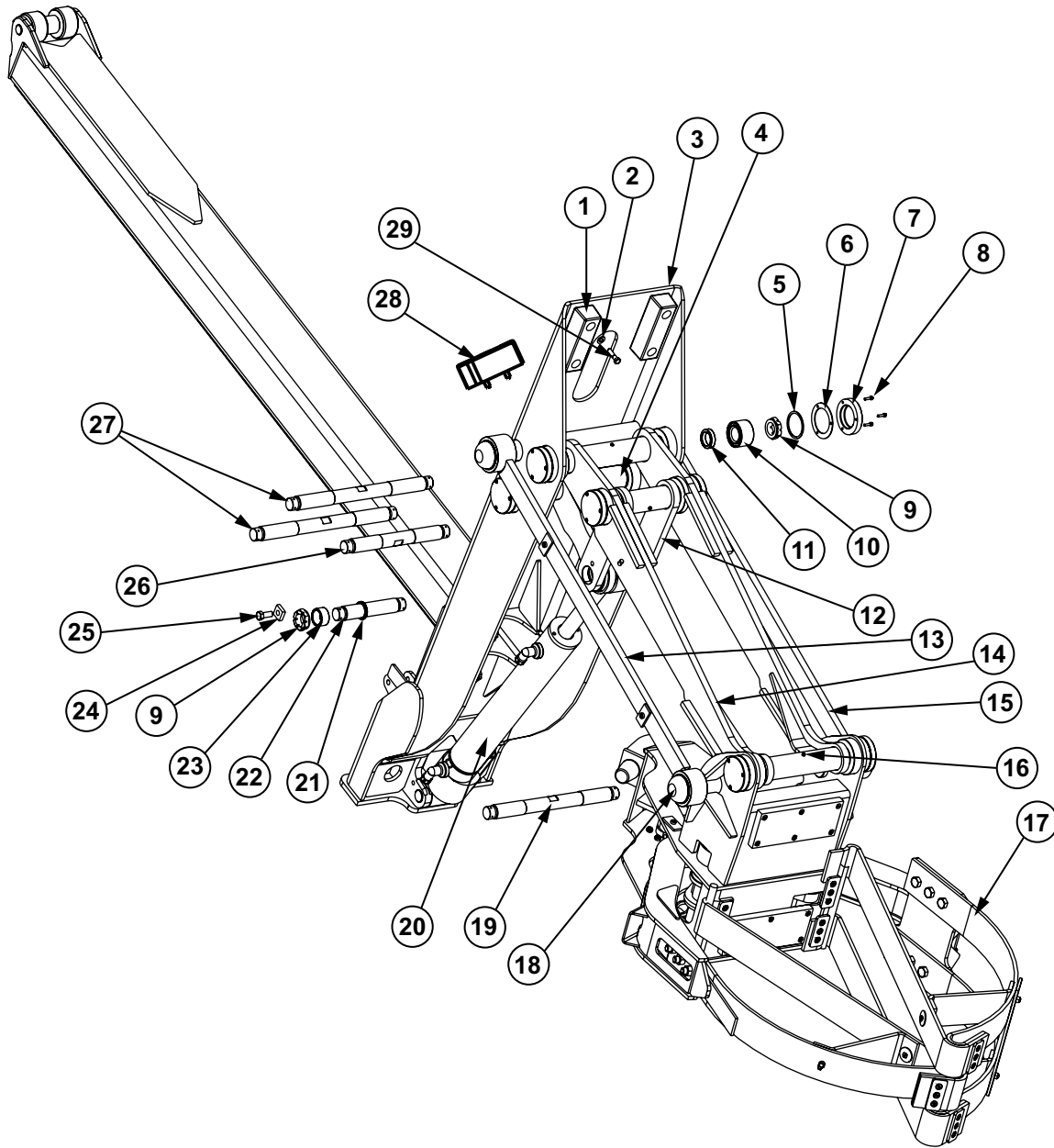




**PARTS MANUAL SUPPLEMENT
AUTOMATED SIDE LOADER
WITH CAT SYSTEM UPGRADE**

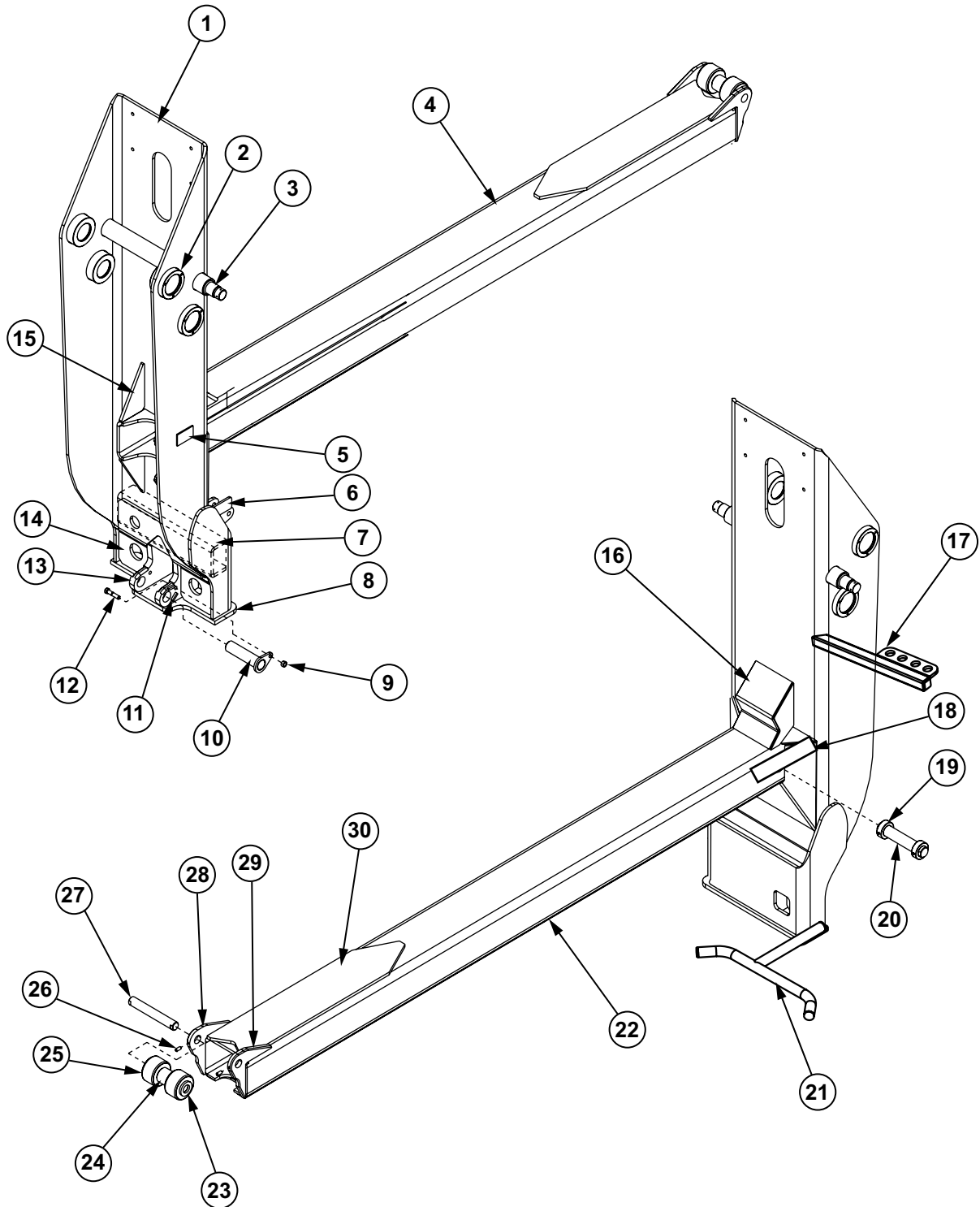
MAIN ARM ASSEMBLY - AL4-A025



MAIN ARM ASSEMBLY - AL4-A025

| REF. NO. | PART NO. | DESCRIPTION | QTY. |
|----------|--------------|---|------|
| 1 | 001-625-0007 | BUMPER, Rubber | 4 |
| 2 | F7250 | WASHER, Flat, 3/8" | 8 |
| 3 | AL4-A027 | FRAME, Arm Assembly | 1 |
| 4 | SL16-A75 | LINKAGE, Middle, Inner | 1 |
| 5 | B17-0033 | RETAINING RING, Internal | 8 |
| 6 | AL4-0081 | GASKET, Bearing Cap | 8 |
| 7 | AL4-0082 | CAP, Bearing | 8 |
| 8 | F0080 | CAPSCREW, 5/16" X 3/4" UNC | 24 |
| 9 | AN12520 | NUT, Slotted, 1 1/4" UNF | 14 |
| 10 | B17-0026 | BEARING, Tapered, Dual Seal | 8 |
| 11 | AL4-0093 | SPACER, Bearing | 8 |
| 12 | SL16-A74 | LINKAGE, Middle, Outer | 1 |
| 13 | AP4-A027 | ASSEMBLY, Linkage, Leveling (Includes Bearings) | 1 |
| | B17-0026 | BEARING, Tapered (In Centered End) | 1 |
| | B17-0028 | BEARING, Spherical (In Offset End) | 1 |
| | B17-0031 | SNAP RING, Internal | 1 |
| | B17-0032 | SNAP RING, Internal | 1 |
| 14 | AP4-A026 | ARM, Lift, Main | 1 |
| 15 | AP4-A028 | ASSEMBLY, Linkage, Leveling (Includes Bearings) | 1 |
| | B17-0026 | BEARING, Tapered (In Centered End) | 1 |
| | B17-0028 | BEARING, Spherical (In Offset End) | 1 |
| | B17-0031 | SNAP RING, Internal | 1 |
| | B17-0032 | SNAP RING, Internal | 1 |
| 16 | N/A | SET SCREW, 5/16" X 3/4" | 4 |
| 17 | AL4-A024 | ASSEMBLY, Gripper, Overlap Style | 1 |
| 18 | AL4-0102 | CAP, Bearing | 4 |
| 19 | AL4-0094 | SHAFT, Arm to Gripper | 1 |
| 20 | H10-0273 | CYLINDER, Lift, CAT | 1 |
| 21 | SL16-345 | SPACER, Bearing, Lift Cylinder Pin | 2 |
| 22 | AL4-0124 | PIN, Lift Cylinder Rod End | 1 |
| 23 | SL16-318 | SPACER, Bearing, Lift Cylinder Pin | 2 |
| 24 | AL4-0125 | KEEPER, Pin | 1 |
| 25 | F0950 | CAPSCREW, 1/2" X 1 1/4" UNC GR 8 | 1 |
| 26 | AL4-0083 | SHAFT, Linkage, Middle Outer | 1 |
| 27 | AL4-0095 | SHAFT, Main, Lift Arm | 2 |
| 28 | 001-625-0046 | BUMPER | 1 |
| 29 | N/A | CAPSCREW, 3/8" X 1 1/2" UNC GR 8 | 8 |

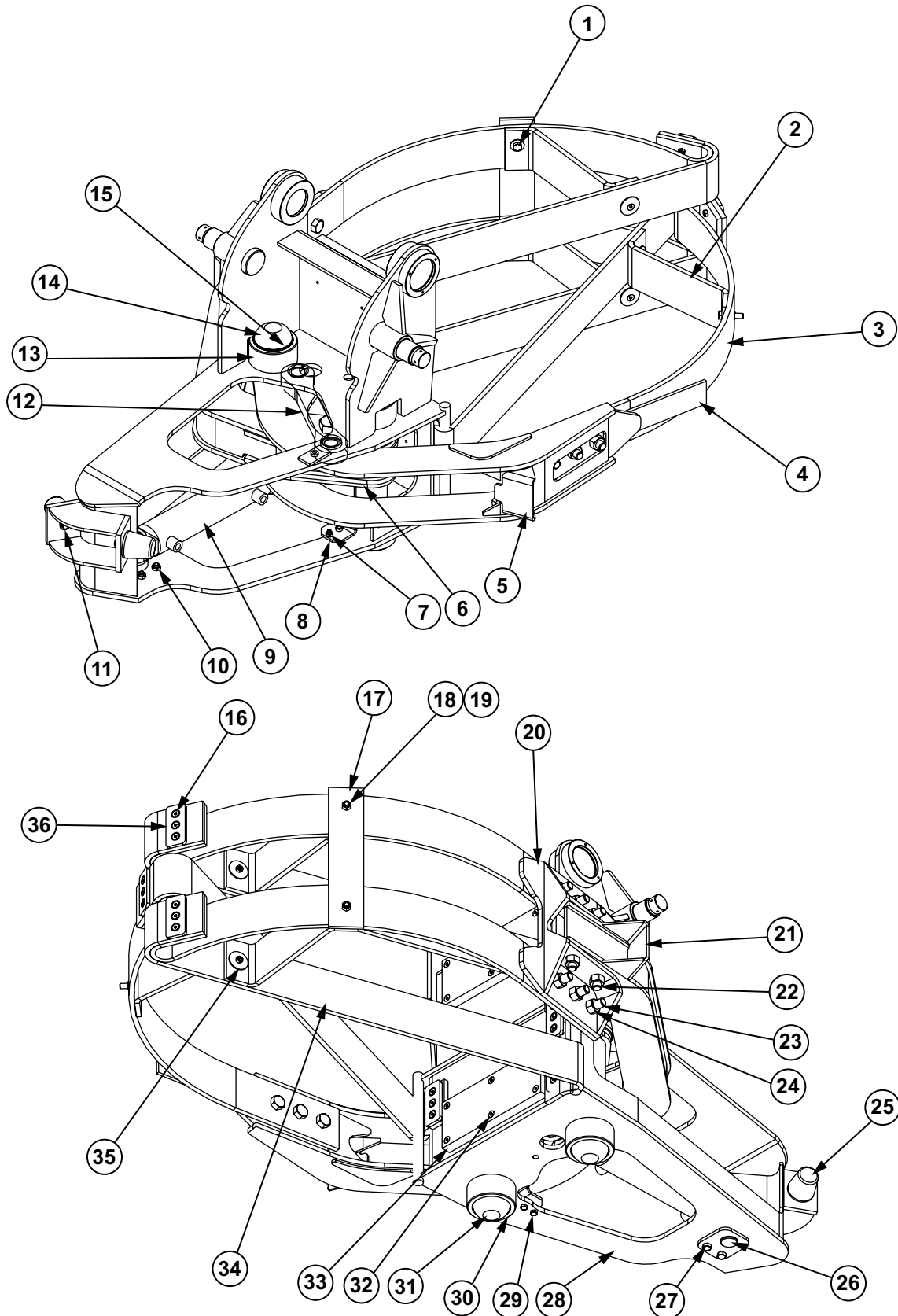
ARM FRAME ASSEMBLY - AL4-A027



ARM FRAME ASSEMBLY - AL4-A027

| REF. NO. | PART NO. | DESCRIPTION | QTY. |
|----------|----------|-----------------------------------|------|
| 1 | AL4-A026 | FRAME, Arm, Upright | 1 |
| 2 | AL4-0090 | HOUSING, Bearing | 4 |
| 3 | AL4-0091 | SHAFT, Leveling Bar, Upper | 1 |
| 4 | AP4-A025 | ARM, Slide, Boom | 1 |
| 5 | AL4-0123 | PLATE, Serial Number | 1 |
| 6 | AP4-0015 | PLATE, Sensor | 1 |
| 7 | SL16-302 | END REINFORCEMENT, Vertical Frame | 1 |
| 8 | SL16-245 | CAP, Vertical Frame | 1 |
| 9 | F3075 | NUT, 3/8" UNC, Nylock | 1 |
| 10 | AP4-A024 | PIN, Lift Cylinder Case End | 1 |
| 11 | AL4-0126 | REINFORCEMENT, Lift Cylinder Pin | 2 |
| 12 | F0400 | CAPSCREW, 3/8" X 1 3/4" UNC | 1 |
| 13 | SL16-244 | MOUNT, Lift Cylinder | 2 |
| 14 | SL16-370 | GUSSET, Ears, Lift Cylinder | 1 |
| 15 | SL16-168 | GUSSET, Upright | 4 |
| 16 | SL16-095 | SPACER, Slide | 1 |
| 17 | AL7-A021 | WELDMENT, Hose Junction | 1 |
| 18 | AL4-0087 | PLATE, Sensor | 1 |
| 19 | SL16-039 | SET COLLAR, 1 1/4" | 2 |
| 20 | SL16-040 | PIN, Slide Cylinder, Rod End | 1 |
| 21 | AL4-A028 | GUIDE, Hose | 1 |
| 22 | SL16-028 | WEAR STRIP, Slide Boom | 1 |
| 23 | SL16-041 | SHOULDER, Roller | 2 |
| 24 | AL4-0113 | SPACER, Roller | 1 |
| 25 | B17-0027 | BEARING | 2 |
| 26 | F4755 | SET SCREW, 3/8" X 3/4" UNC | 2 |
| 27 | AL4-0088 | PIN, Slide Boom | 1 |
| 28 | SL16-025 | MOUNT, Roller | 1 |
| 29 | SL16-026 | MOUNT, Roller | 1 |
| 30 | SL16-029 | REINFORCEMENT | 1 |

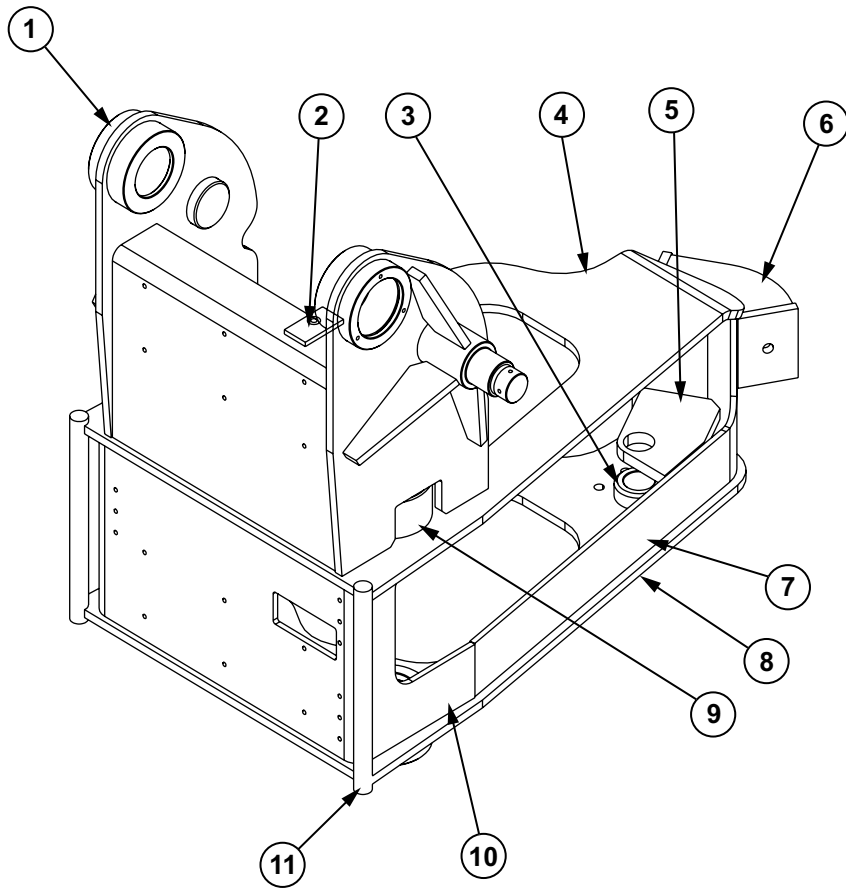
GRIPPER ASSEMBLY - AL4-A024



GRIPPER ASSEMBLY - AL4-A024

| REF. NO. | PART NO. | DESCRIPTION | QTY. |
|----------|----------|--|------|
| 1 | AN12520 | NUT, Slotted, 1 1/4" UNF | 4 |
| 2 | SL16-165 | RETAINING, Belt | 3 |
| 3 | SL16-139 | ARM, Flex, Gripper | 3 |
| 4 | SL16-138 | STIFFENER, Arm, Gripper, LH | 1 |
| 5 | AL4-A022 | ARM, Gripper, LH | 1 |
| 6 | F4755 | SET SCREW, 3/8" X 3/8" UNC | 2 |
| 7 | F2775 | NUT, Lock, 1/4" UNC | 14 |
| 8 | N/A | SET SCREW, 1/4" X 3/4", Flat Head | 21 |
| 9 | AL7-A019 | CYLINDER, Gripper | 1 |
| 10 | F3025 | NUT, Jam, 3/8" UNC | 2 |
| 11 | N/A | NUT, Lock, M10 X 1 1/2" | 2 |
| 12 | AL4-A016 | BAR, Link, Assembly | 1 |
| 13 | B17-0026 | BEARING, Tapered | 4 |
| 14 | AL4-0102 | CAP, Bearing | 4 |
| 15 | AP4-0026 | BRACKET, Proximity Switch | 1 |
| 16 | N/A | CAPSCREW, 1/4" X 1" UNC GR. 8 | 2 |
| 17 | SL16-A29 | BRACE, Arms, Double Gripper | 1 |
| 18 | F1418 | CAPSCREW, 5/8" X 2" UNC GR. 8 | 9 |
| 19 | N/A | NUT, 3/8" UNC GR. 8 | 3 |
| 20 | SL16-A37 | MOUNT, Arms, Gripper, LH | 1 |
| 21 | AL4-A021 | ARM, Gripper, RH | 1 |
| 22 | N/A | WASHER, Fender, 1/4" | 6 |
| 23 | N/A | CAPSCREW, 3/8" X 5 1/4" GR. 8 | 2 |
| 24 | N/A | NUT, Lock, 5/8" GR. 8 | 11 |
| 25 | R07-0019 | PAD, Rubber | 2 |
| 26 | SL16-A86 | PIN, Cylinder, Gripper | 1 |
| 27 | N/A | CAPSCREW, 3/8" X 1 1/2" UNC GR. 8 | 3 |
| 28 | AL4-A023 | HOUSING, Arm, Gripper | 1 |
| 29 | F0278 | CAPSCREW, 3/8" X 1" UNC GR. 8 | 2 |
| 30 | B17-0033 | RETAINING RING, Internal | 4 |
| 31 | AL4-0097 | PIN, Arm, Gripper | 2 |
| 32 | N/A | CAPSCREW, Flat head, 1/4" X 1 1/4" UNC | 12 |
| 33 | AC02-034 | PAD, Rubber | 2 |
| 34 | SL16-158 | BELT, Gripper | 3 |
| 35 | N/A | WASHER, Fender, 1/4" | 3 |
| 36 | SL16-159 | PLATE, Clamp, Bolt, Gripper | 6 |

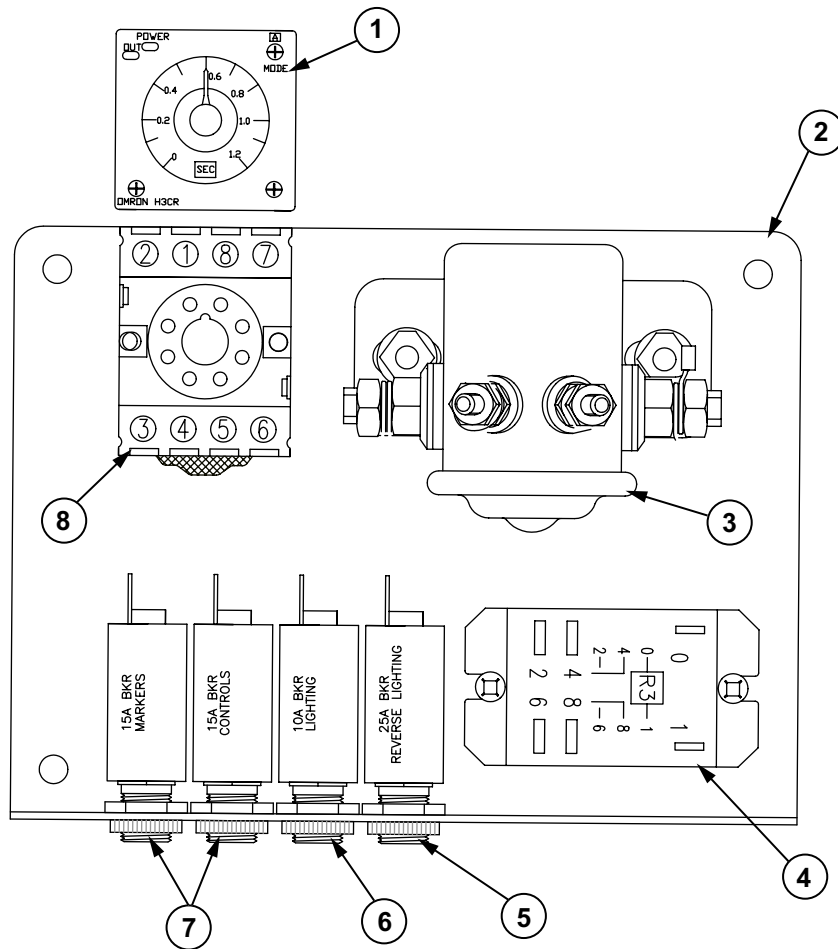
GRIPPER HOUSING ASSEMBLY - AL4-A023



| REF. NO. | PART NO. | DESCRIPTION | QTY. |
|----------|----------|--------------------------------|------|
| 1 | AP4-A030 | SUBASSEMBLY, Gripper Head | 1 |
| 2 | WPT-2 | PLATE, Weld | 1 |
| 3 | SL16-325 | BUSHING, Gripper Cylinder | 1 |
| 4 | AL4-0117 | PLATE, Gripper Head, Top | 1 |
| 5 | SL16-324 | PLATE, Mount, Gripper Cylinder | 1 |
| 6 | SL16-157 | GUIDE, Belt, Gripper | 2 |
| 7 | AL4-0118 | EDGE, Reinforcement | 1 |
| 8 | SL16-323 | PLATE, Gripper Head, Bottom | 1 |
| 9 | AL4-0096 | HOUSING, Bearing Arm, Gripper | 4 |
| 10 | AL4-0119 | WALL, Gripper Head, Front | 1 |
| 11 | SL16-157 | GUIDE, Belt, Gripper | 2 |

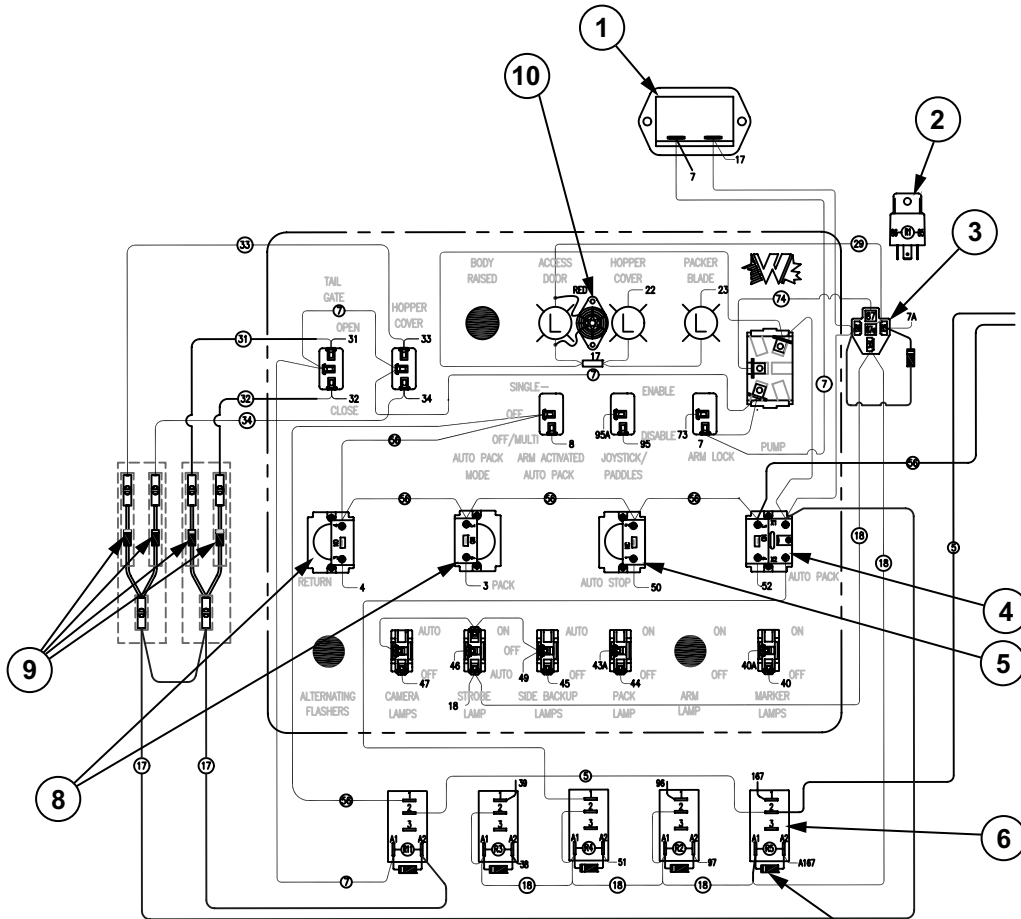
ELECTRICAL

RELAY BOX ASSEMBLY - AL8-A333

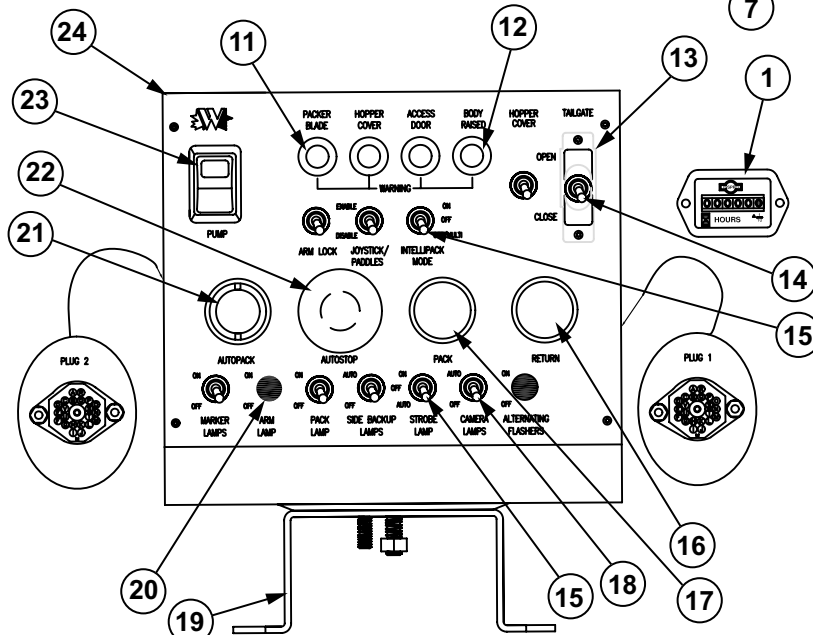


| REF. NO. | PART NO. | DESCRIPTION | QTY. |
|----------|---------------|-------------------|------|
| 1 | 200-1-1014 | TIMER | 1 |
| 2 | FL21-061 | BRACKET, Mounting | 1 |
| 3 | 200-5-4059 | SOLENOID | 1 |
| 4 | T92S7D22-12 | RELAY, Heavy Duty | 1 |
| 5 | 830-0010 | BREAKER, 25 Amp | 1 |
| 6 | W58-XB1A4A-10 | BREAKER, 10 Amp | 1 |
| 7 | W58-XB1A4A-15 | BREAKER, 15 Amp | 2 |
| 8 | E09-0164 | BASE, Timer | 1 |

CONTROL PANEL - AL8-A383



BACK SIDE OF CONTROL PANEL

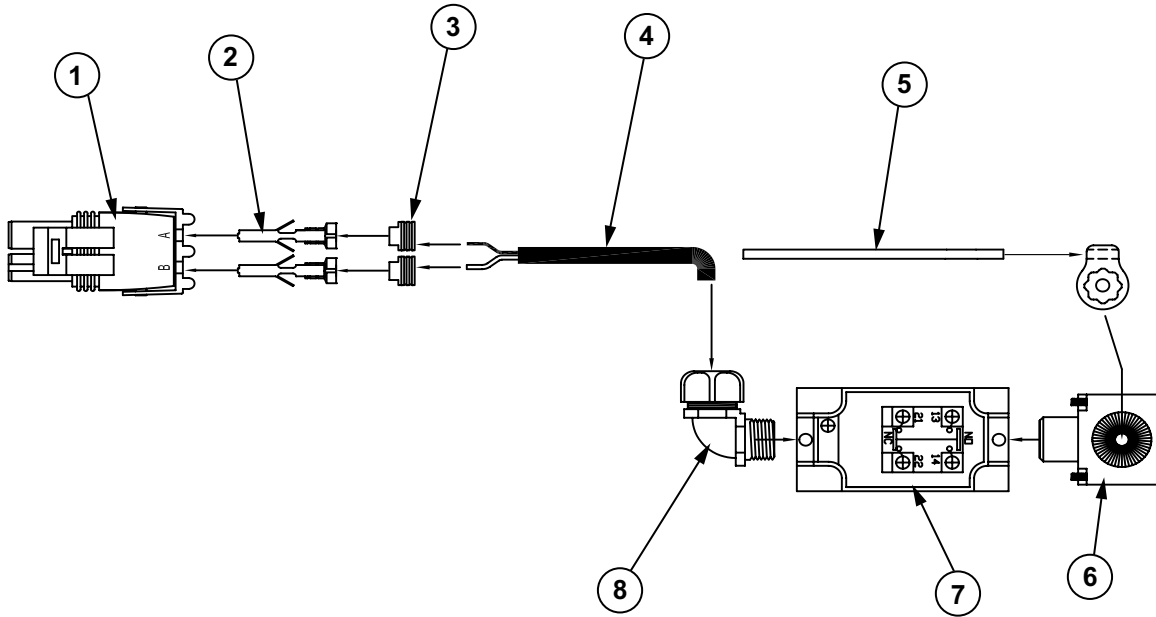


FRONT SIDE OF CONTROL PANEL

CONTROL PANEL - AL8-383

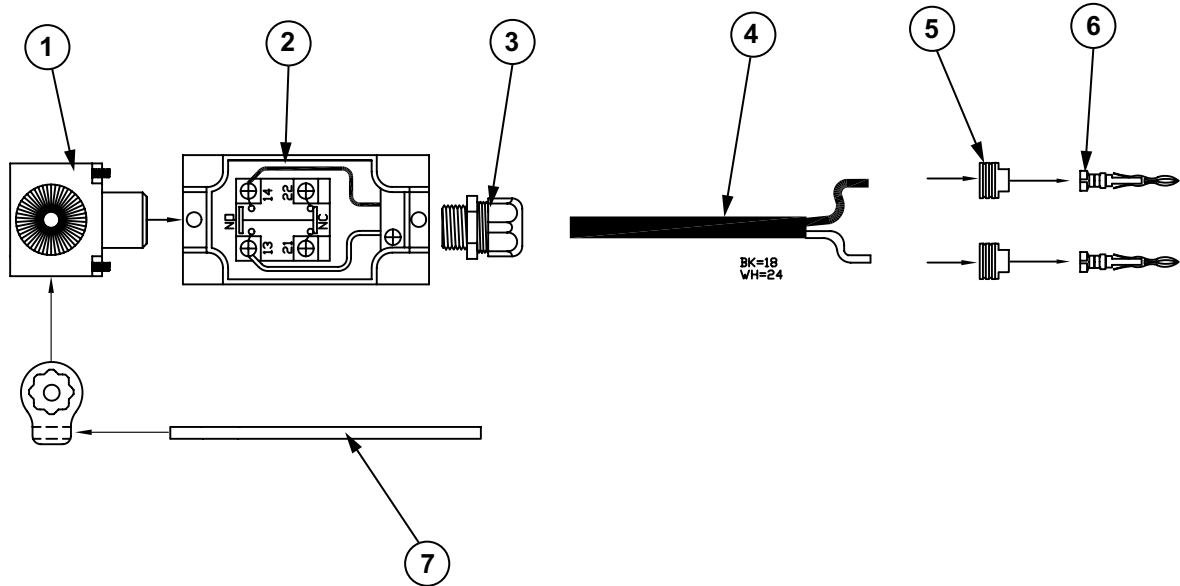
| REF. NO. | PART NO. | DESCRIPTION | QTY. |
|----------|------------|---|------|
| 1 | E09-0243 | HOUR METER | 1 |
| 2 | E09-0130 | RELAY, Bosch | 1 |
| 3 | E09-0131 | BASE, Relay | 1 |
| 4 | 200-1-1006 | PILOT MODULE | 1 |
| 5 | 200-1-1009 | CONTACT BLOCK, N. C. | 1 |
| 6 | E09-0258 | RELAY | 5 |
| 7 | E09-0193 | DIODE | 8 |
| 8 | 200-1-1008 | CONTACT BLOCK, N. O. | 3 |
| 9 | 200-3-5408 | DIODE, 3 Amp | 4 |
| 10 | E09-0217 | BUZZER | 1 |
| 11 | 200-5-6220 | LAMP, Warning, Red | 3 |
| 12 | 245-027 | HOLE PLUG | 1 |
| 13 | 8496K1 | SWITCH GUARD | 1 |
| 14 | E09-0042 | SWITCH, Momentary | 2 |
| 15 | DO-5586 | SWITCH, On/Off/On | 2 |
| 16 | E09-0210 | PUSH-BUTTON HEAD, Green | 1 |
| 17 | E09-0209 | PUSH-BUTTON HEAD, Black | 1 |
| 18 | E09-0043 | SWITCH, On/Off | 6 |
| 19 | FL21-S08 | BASE, Swivel | 1 |
| 20 | M08-0050 | HOLE PLUG | 4 |
| 21 | E09-0323 | PUSH-BUTTON HEAD, Green, Illuminated | 1 |
| 22 | E09-0318 | MUSHROOM BUTTON, Red | 1 |
| 23 | E09-0041 | SWITCH, Pump | 1 |
| 24 | AL8-9028 | COVER, Panel | 1 |
| | FL21-S30 | BOX, Control panel (Not Shown) | 1 |
| | FL8-A338 | HARNESS, Control Panel Kit (Not Shown) | 1 |
| | E09-0397 | LIGHT, Flash Code Diagnostic, Red (Not Shown) | 1 |
| | E09-0396 | LIGHT, Flash Code Diagnostic, Amber (Not Shown) | 1 |

PACKER BLADE AHEAD LIMIT SWITCH - AL8-A304



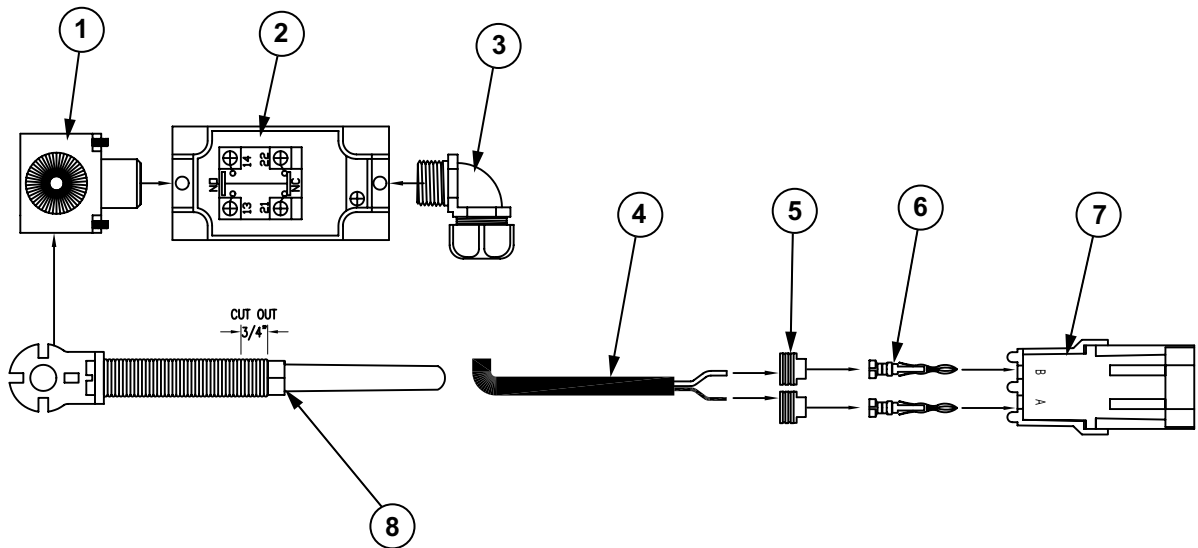
| REF. NO. | PART NO. | DESCRIPTION | QTY. |
|----------|------------|--------------------------------|------|
| 1 | 12015792 | PLUG, Weatherpack, Male, 2 Pin | 1 |
| 2 | 12124580 | PIN, Female | 2 |
| 3 | 12010293 | SEAL | 2 |
| 4 | 2114SJ | LOOM, 2 Wire | 6" |
| 5 | FL8-0099 | ROD, Limit Switch Actuator | 1 |
| 6 | 200-1-1002 | HEAD, Limit Switch | 1 |
| 7 | 200-1-1001 | BODY, Limit Switch | 1 |
| 8 | 2268 | FITTING, Compression | 1 |
| | AL8-A304 | ASSEMBLY, Limit Switch | 1 |

TAILGATE AJAR LIMIT SWITCH - AL8-A305



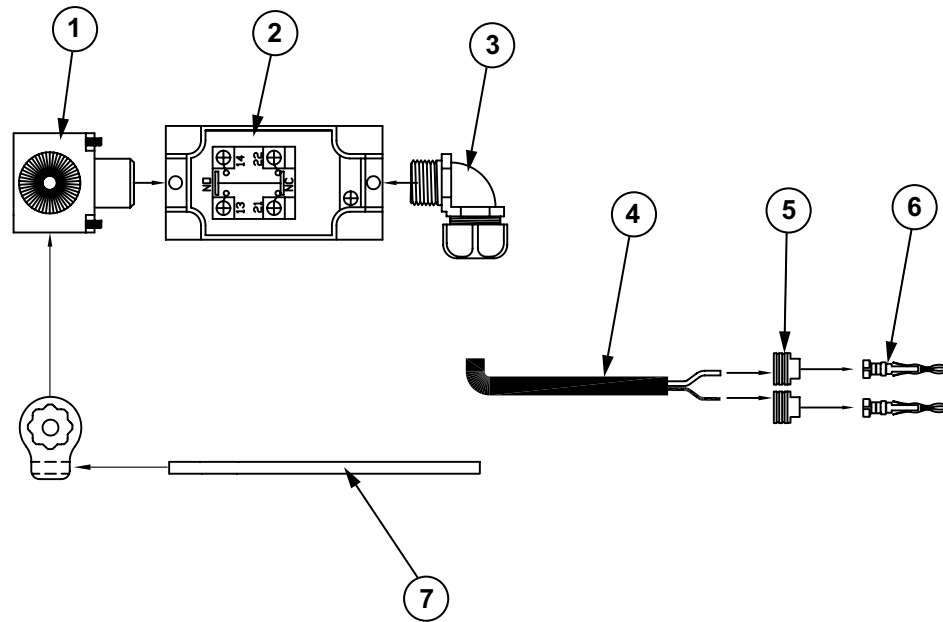
| REF. NO. | PART NO. | DESCRIPTION | QTY. |
|----------|------------|----------------------------|------|
| 1 | 200-1-1002 | HEAD, Limit Switch | 1 |
| 2 | 200-1-1001 | BODY, Limit Switch | 1 |
| 3 | 2521 | FITTING, Compression | 1 |
| 4 | 2114SJ | LOOM, 2 Wire | 3' |
| 5 | 12010293 | SEAL | 2 |
| 6 | 12124582 | PIN, Male | 2 |
| 7 | FL8-0099 | ROD, Limit Switch Actuator | 1 |
| | AL8-A305 | ASSEMBLY, Limit Switch | 1 |

HALF PACK LIMIT SWITCH - AL8-307



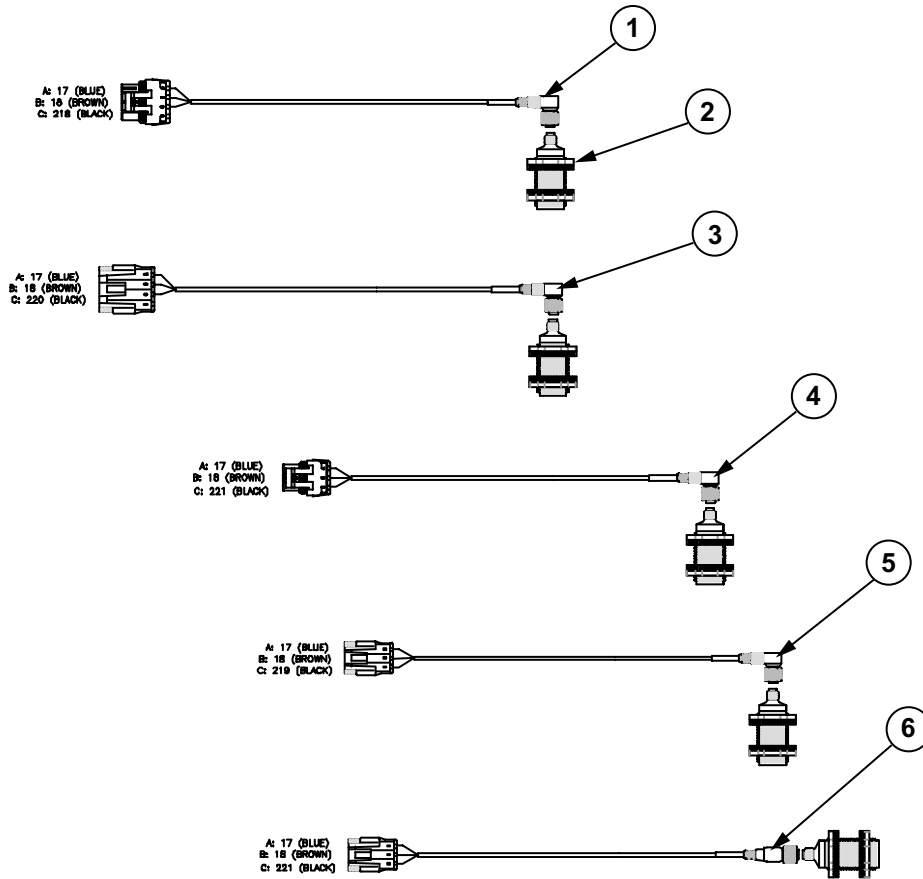
| REF. NO. | PART NO. | DESCRIPTION | QTY. |
|----------|------------|----------------------------------|------|
| 1 | 200-1-1002 | HEAD, Limit Switch | 1 |
| 2 | 200-1-1001 | BODY, Limit Switch | 1 |
| 3 | 2268 | FITTING, Compression | 1 |
| 4 | 2114SJ | LOOM, 2 Wire | 6" |
| 5 | 12010293 | SEAL | 2 |
| 6 | 12124582 | PIN, Male | 2 |
| 7 | 12010973 | PLUG, Weatherpack, Female, 2 Pin | 1 |
| 8 | 200-1-1004 | ROD, Limit Switch Actuator | 1 |
| | AL8-A307 | ASSEMBLY, Limit Switch | 1 |

HOPPER COVER LIMIT SWITCH - AL8-A306



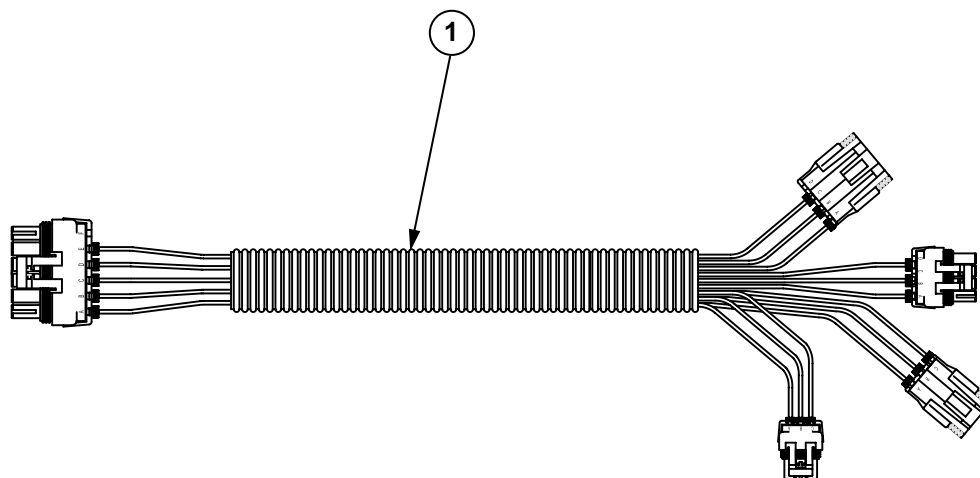
| REF. NO. | PART NO. | DESCRIPTION | QTY. |
|----------|------------|----------------------------|------|
| 1 | 200-1-1002 | HEAD, Limit Switch | 1 |
| 2 | 200-1-1001 | BODY, Limit Switch | 1 |
| 3 | 2268 | FITTING, Compression | 1 |
| 4 | 2114SJ | LOOM, 2 Wire | 6'3" |
| 5 | 12010293 | SEAL | 2 |
| 6 | 12124582 | PIN, Male | 2 |
| 7 | FL8-0099 | ROD, Limit Switch Actuator | 1 |
| | AL8-A306 | ASSEMBLY, Limit Switch | 1 |

PROXIMITY SWITCH AND HARNESS



| REF. NO. | PART NO. | DESCRIPTION | QTY. |
|----------|----------|-------------------------------|------|
| 1 | AL8-A373 | ASSEMBLY, Cable, Load Zone | 1 |
| 2 | E09-0282 | SWITCH, Proximity | 5 |
| 3 | AL8-A374 | ASSEMBLY, Cable, Top Cushion | 1 |
| 4 | AL8-A375 | ASSEMBLY, Cable, Arm Raised | 1 |
| 5 | AL8-A376 | ASSEMBLY, Cable, Slide Extend | 1 |
| 6 | AL8-A379 | ASSEMBLY, Cable, Grab | 1 |

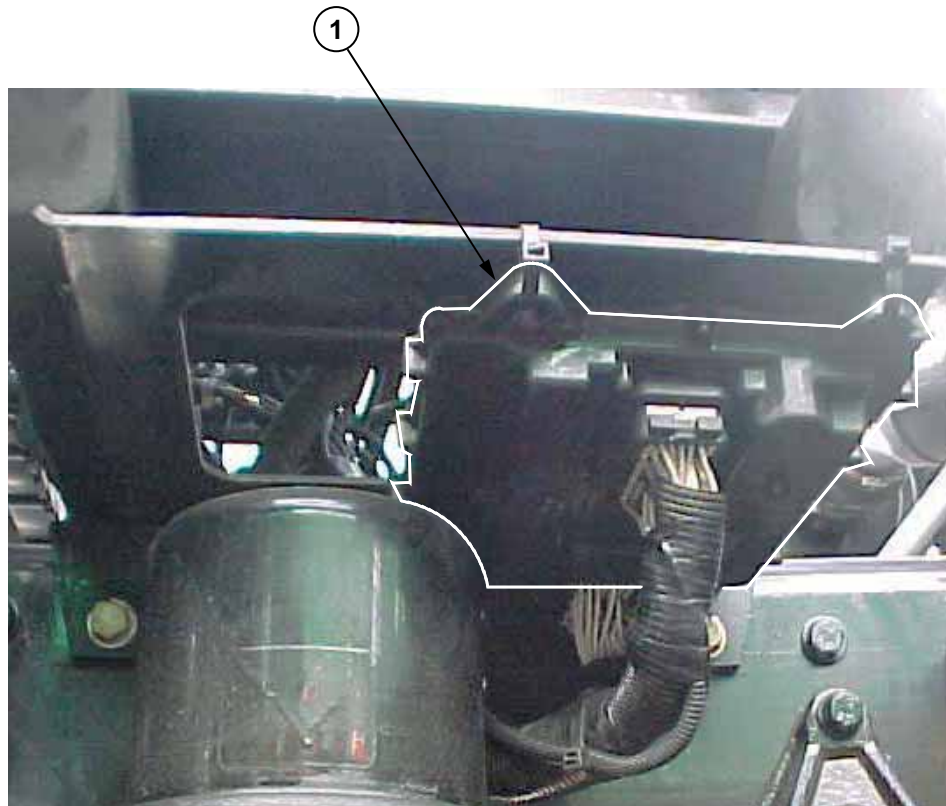
PROXIMITY SWITCH ADAPTER HARNESS - AL8-A371



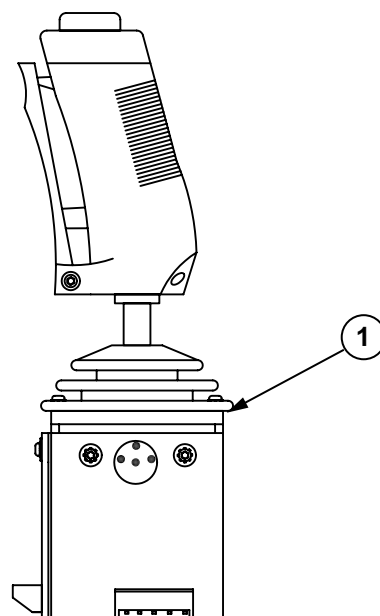
| REF. NO. | PART NO. | DESCRIPTION | QTY. |
|----------|----------|-----------------------------------|------|
| 1 | AL8-A371 | HARNESS, Proximity Switch Adapter | 1 |

ELECTRICAL

CONTROLLER



| REF. NO. | PART NO. | DESCRIPTION | QTY. |
|----------|----------|---|------|
| 1 | | CONTROLLER (Contact FS Depot Service Department Before Ordering Controller) | 1 |

JOYSTICK - E09-0430

| REF. NO. | PART NO. | DESCRIPTION | QTY. |
|----------|----------------------|--|--------|
| 1 | E09-0430 SV8-A021 | JOYSTICK (Joystick Only) ASSEMBLY, Joystick with Wire Harness | 1 1 |



2737 Harrison Street
Oshkosh, WI 54901
Tel: (877) 800-1111
Please visit our website:
www.fsdepot.com