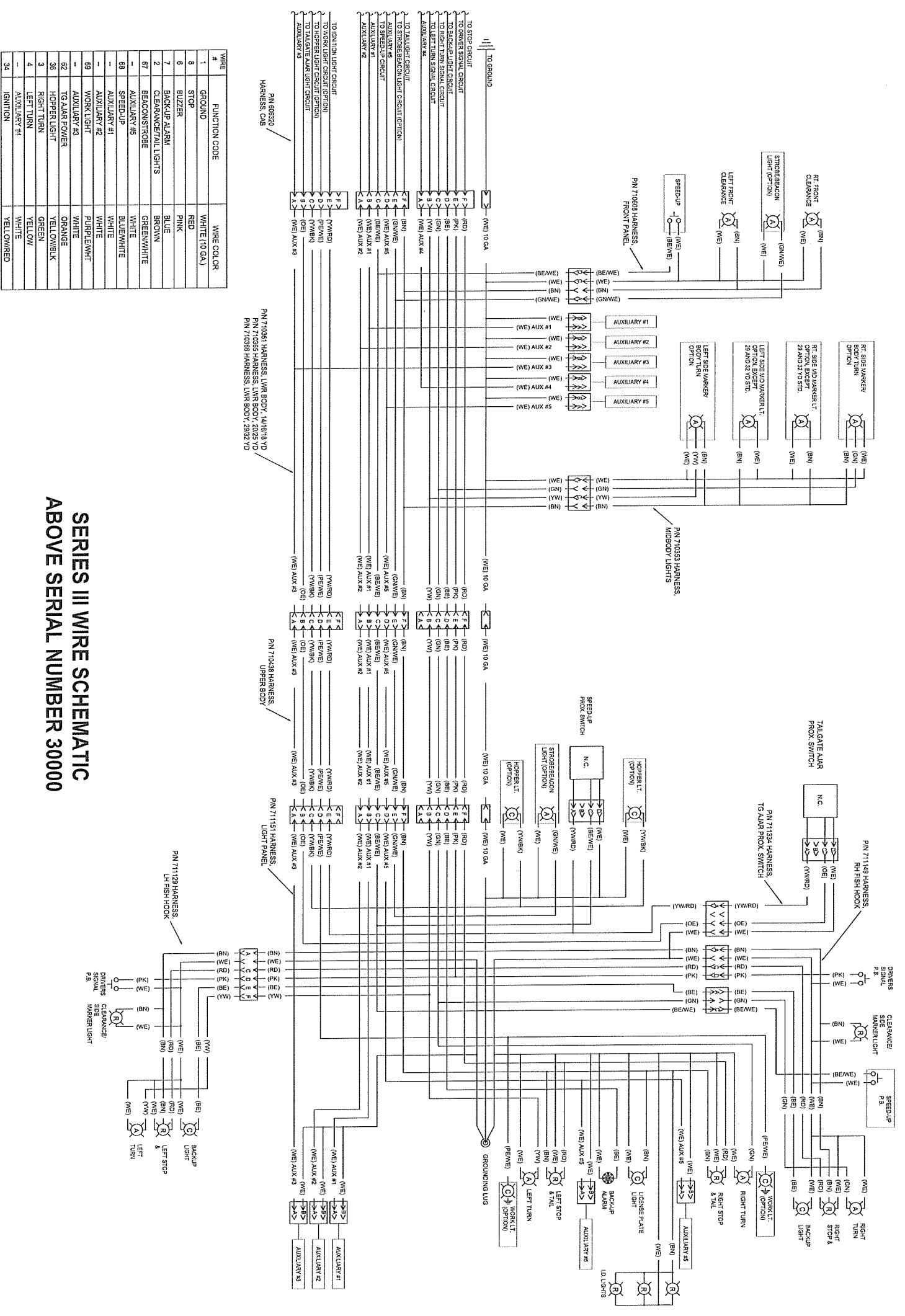
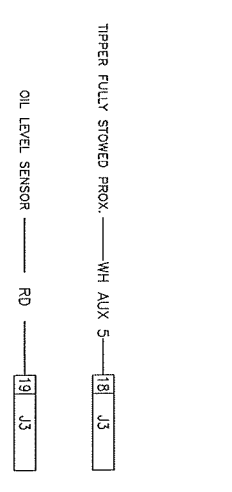
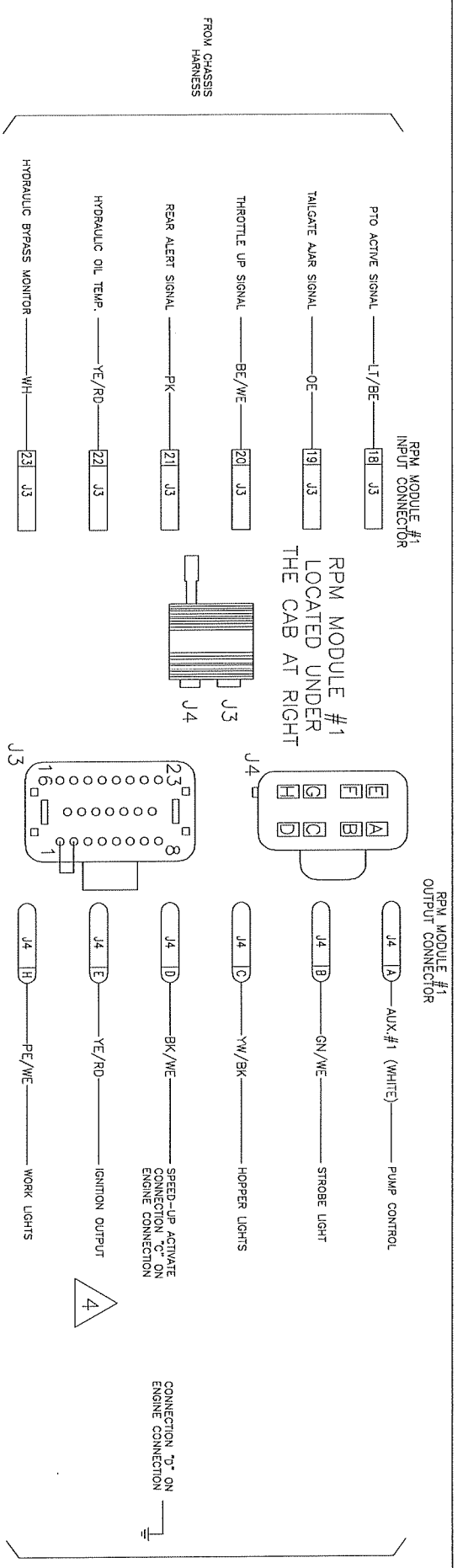
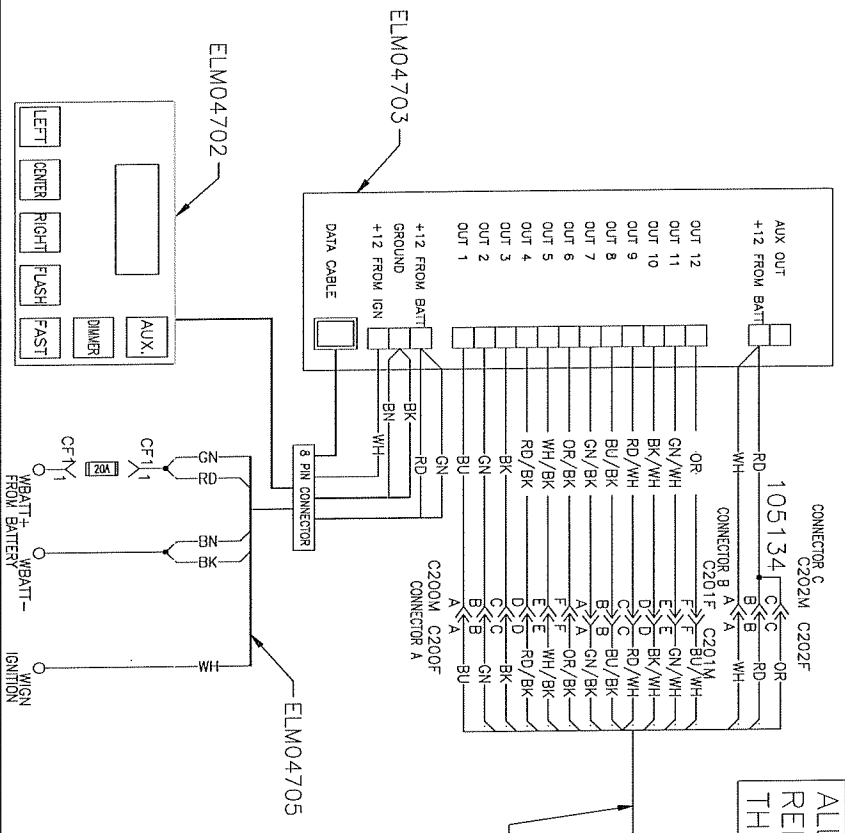
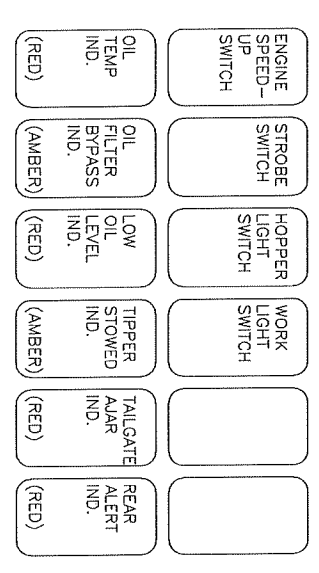
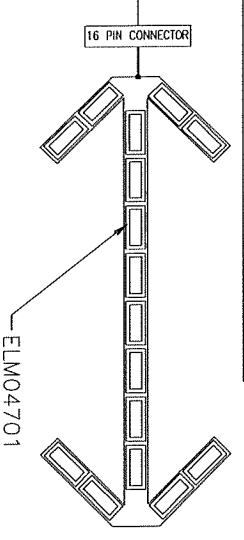


CHASSIS TO BODY ELECTRICAL INTERFACE





ALL SWITCHES AND INDICATORS ARE REPLACE BY THOSE SUPPLIED WITH THE TRUCK ON THE DASH PANEL.



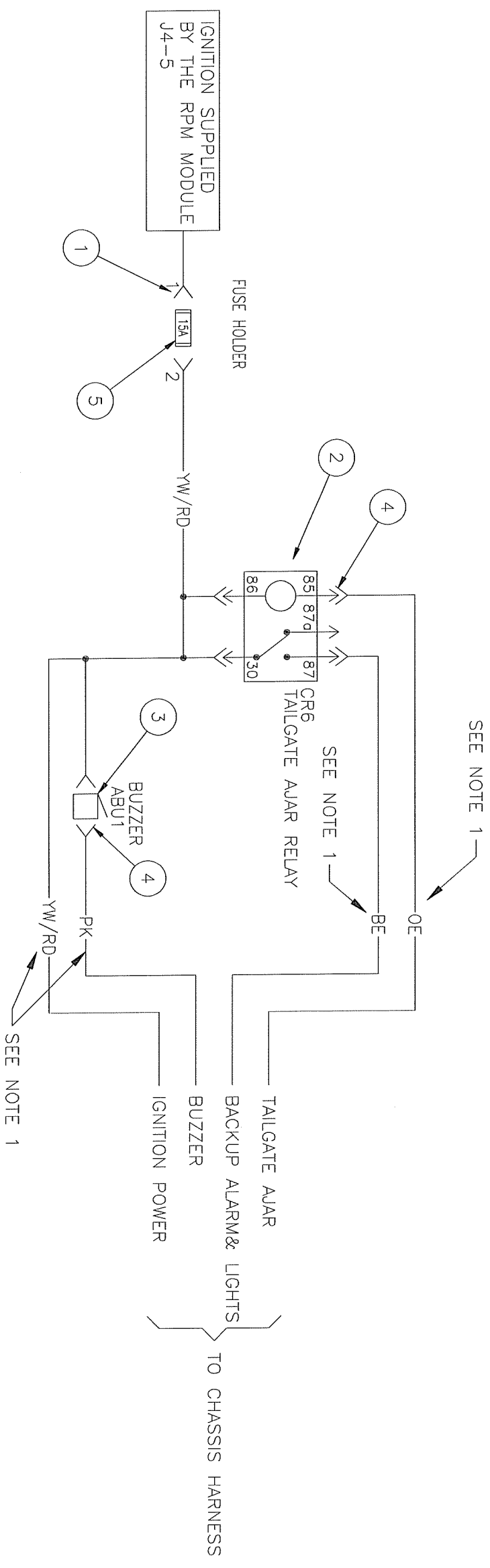
ZONE	LET	REVISION	DATE	DES	VER	APP
4		YE/RO WAS RD	2008-07-01	S.C.		M.L.
3		OR WAS BU/WH, CHANGED AWARE SYS INFO	2008-06-04	S.C.		M.L.
2		BACKUP ALARM & LIGHT OUTPUT ADDED	2008-05-13	S.C.		M.L.
1		ARROW BAR WIRING DIAGRAM ADDED	2008-02-18	S.C.		M.L.

LABRIE ENVIRONNEMENTAL GROUP			
DRAFTER	VER	DATE	DATE OF DRAWING
S. COLLARD	M.M.	2008-01-15	2008-01-14
TITLE		DRAWING NO	
LEACH 2R11 CONNECTION SCHEMATIC TO INTER RPM MODULE		105121	

NOTE

1) SUPPLIED WITH CHASSIS HARNESS.

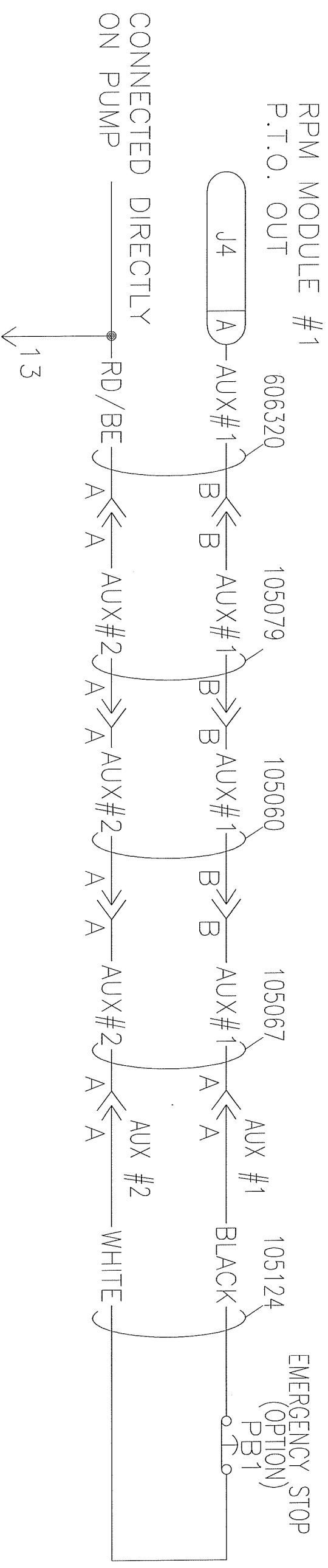
ITEM	CATALOG	MFG	DESCRIPTION	USER1
1	ELF00304	MACPEK	PORTE-FUSIBLE, INLINE 103157	764132 TECHSPAN
2	ELR00820	MARSH ELECTRONICS	RELAIS 12V NO-NC S/ATT102118	87499B HELLA
3	ELR01025	HELLA	SIGNAL AUDIO PULSION 9-16VDC	66091HELLA
4	ELT01860	GROTE IND.	TERMINAL FEMELLE 16-14 .250 38260	83-2432
5	ELF00060	CROBEL DIVISION IND	FUSIBLE 15A ATO BLEU103159	ATC-15



ZONE	LET	REVISION	DATE	DES	VER	APP
LABRIE ENVIRONNEMENTAL GROUP						
DRAFTER	VER	VER DATE	DATE OF DRAWING			
S. COLLARD	A.M.	2008-03-02	2008-02-29			
TITLE				DRAWING NO		
REAR LOADER				828817		
TAILGATE AJAR AND BUZZER						
MULTIPLEX INTER				SHEET 1 OF 1		

NOTE

1) THE EMERGENCY STOP ARE LOCATED ON THE RIGHT HAND FISH HOOK BRACKET NEAR THE DRIVER SIGNAL.

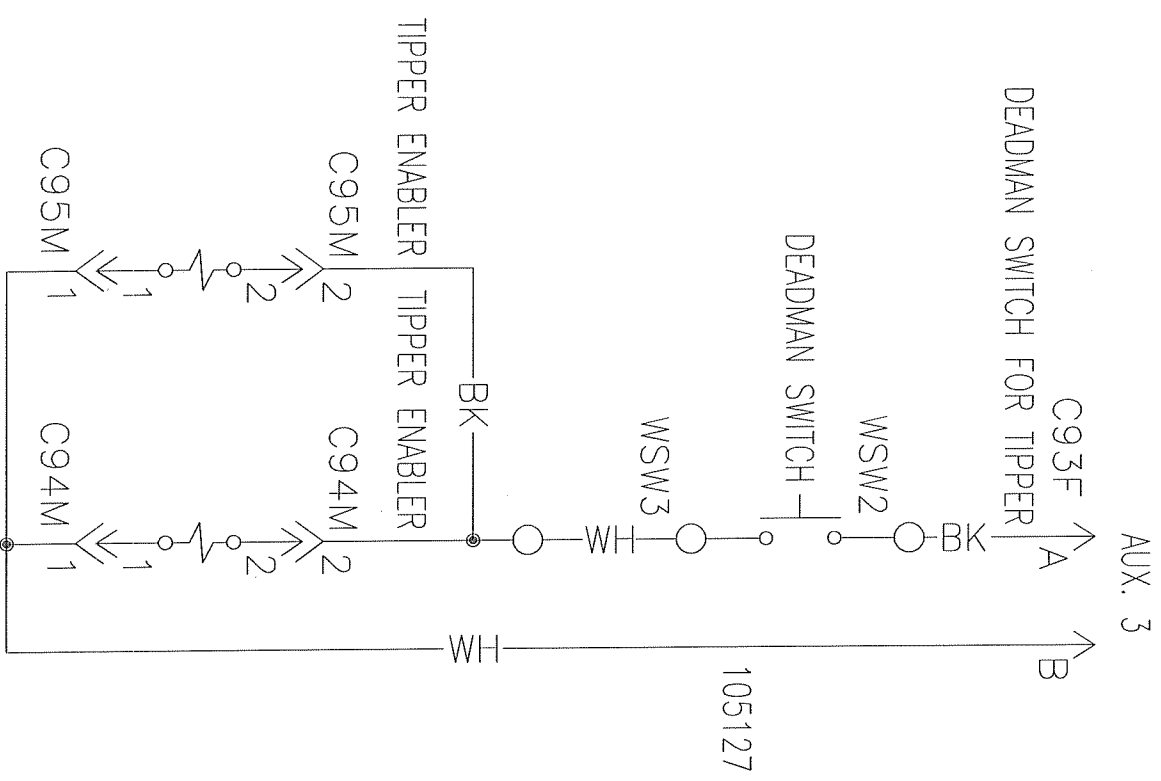


ALLISON GREY CONNECTOR
REFER TO PUMP CONTROL SCHEMATIC

ZONE	LET	REVISION	DATE	DES	VER	APP
LABRIE ENVIRONNEMENTAL GROUP						
DRAFTER	VER	VER DATE	DATE OF DRAWING			
A.MARCOITTE	S.C.	2008-01-14	2008-01-11			A3
TITLE		DRAWING NO				
LEACH 2R111		105122				
INTERNATIONAL MULTIPLEX SYSTEM						
EMERGENCY STOP BUTTON						
						SHEET 1 OF 1

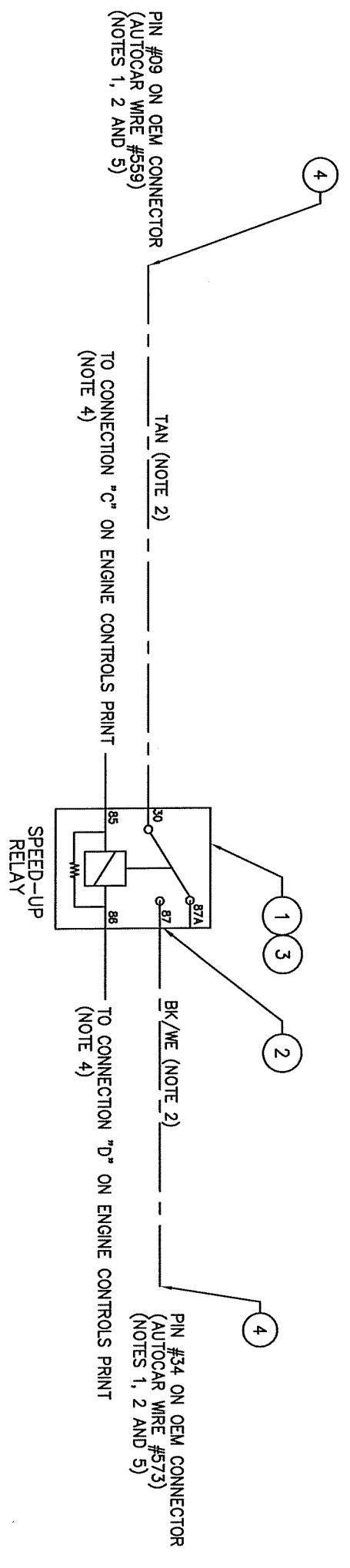
NOTE

- 1) CONNECT TO AUX. 3 CONNECTOR ON LIGHT PANEL ON TAILGATE HARNESS.
- 2) CONNECT AUX.3 WIRE TO IGNITION POWER PASSING THROUGH A 15A INLINE FUSE.



ZONE	LET	REVISION	DATE	DES	VER	APP
LABRIE ENVIRONNEMENTAL GROUP						
DRAFTER	VER	VER DATE	DATE OF DRAWING			
S. COLLARD	M.M.	2008-02-18	2008-02-18			A3
TITLE			DRAWING NO			
REAR LOADER			105132			
SCHEMATIC DIAGRAM						
DEADMAN SWITCH FOR TIPPER						
			SHEET	1 OF 1		

Item	qty	part	description	matl	wt
1	1	102118	12V SPDT RELAY		
2	4	38260	TERMINAL FEMALE QUICK-SLIDE		
3	1	103283	DECAL, SPEED UP		
4	2	602112	TERMINAL, DEUTSCH, SOCKET, #18		



- NOTES:
- 1) ENGINE TO BE PROGRAMMED PER PROCEDURE 210725-07.
 - 2) USE WIRES SUPPLIED IN CHASSIS HARNESS WHEN AVAILABLE.
 - 3) LOCATOR 14 MUST BE CONNECTED DIRECTLY TO THE CHASSIS BATTERY. DO NOT CONNECT TO A FRAME GROUND.
 - 4) CONNECTIONS C AND D ARE FOUND ON ENGINE CONTROL, NEUTRAL INTERLOCK OR BRAKE INTERLOCK PRINT.
 - 5) OEM CONNECTOR IS THE FORWARD MOST CONNECTOR ON THE ENGINE ECU. THE ENGINE ECU IS LOCATED ON THE LEFT SIDE OF THE ENGINE.

TOLERANCES UNLESS OTHERWISE SPECIFIED DIMENSIONS ARE IN MILLIMETERS DECIMALS ± 0.05 FRACTIONS ± 0.10 HOLE AND SHAFT FINISHES UNLESS OTHERWISE SPECIFIED HOLE H11 SHAFT H7 DO NOT SCALE DRAWING CAD GENERATED DRAWING DO NOT MANUALLY UPDATE THE ASSURANT SYSTEMS, INC. PARTS DEPARTMENT COMPANY AND IS NOT TO BE REPRODUCED WITHOUT RELEASE FROM THE DIRECTOR OF PRODUCTION		DIMENSION BY LJA	DATE 09/26/20	PART NUMBER 2737 HARRISON STREET OSHKOSH, WI 54903-2908	SCALE 1/1	SHEET 1 OF 1	DRAWING NUMBER 709929	REV C
LEAGH COMPANY CONNECTIONS, ENGINE, CUMMINS ISM		DIMENSION BY 2R Series III	DATE 09/26/20	PART NUMBER 2737 HARRISON STREET OSHKOSH, WI 54903-2908	SCALE 1/1	SHEET 1 OF 1	DRAWING NUMBER 709929	REV A.