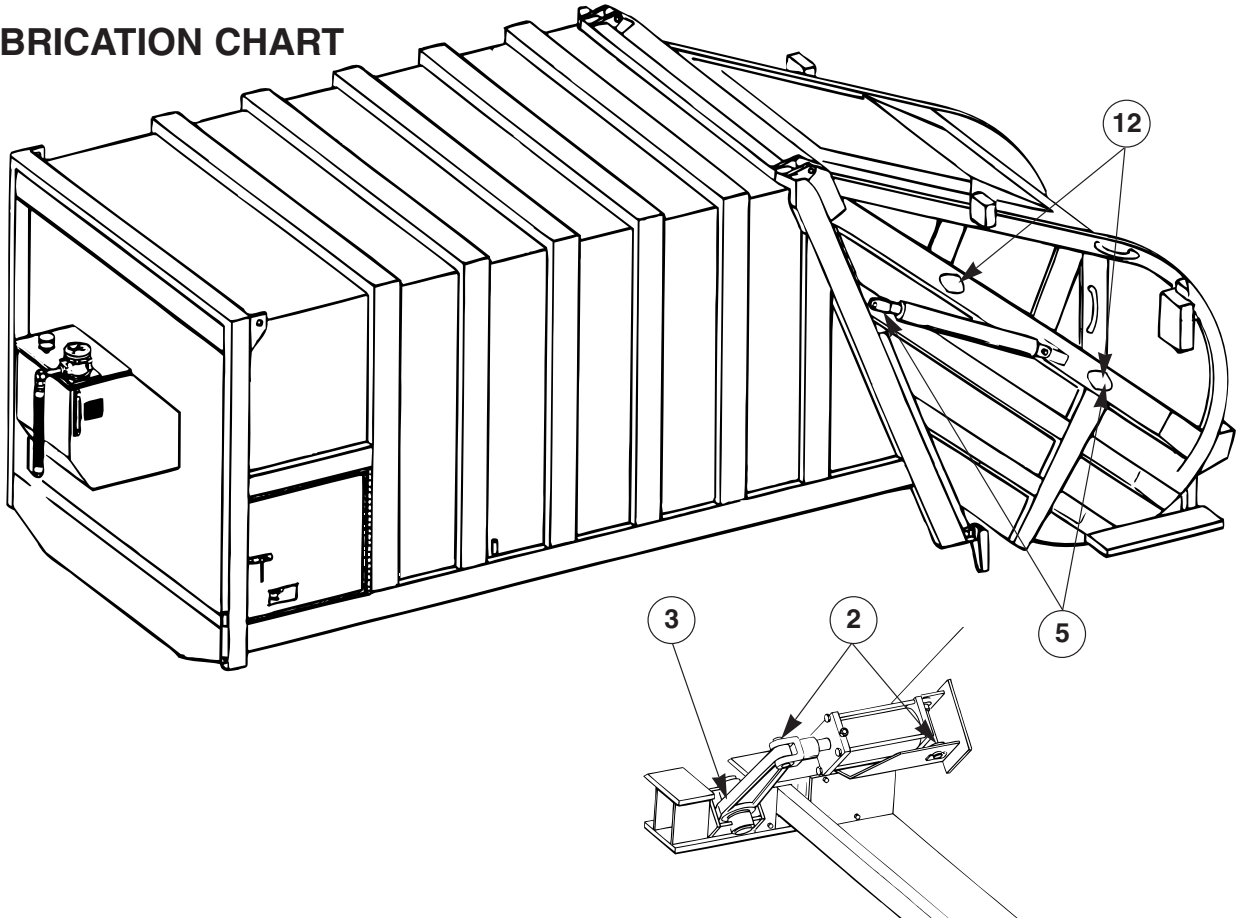


LUBRICATION CHART



INSTRUCTIONS

- Grease weekly (every 40 hrs. of operation) with MOBILUX EPI-SERVICE grease or equivalent.
- Oil weekly (every 40 hrs. of operation) with SAE #10 or equivalent.

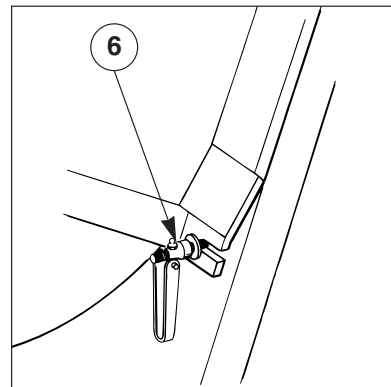
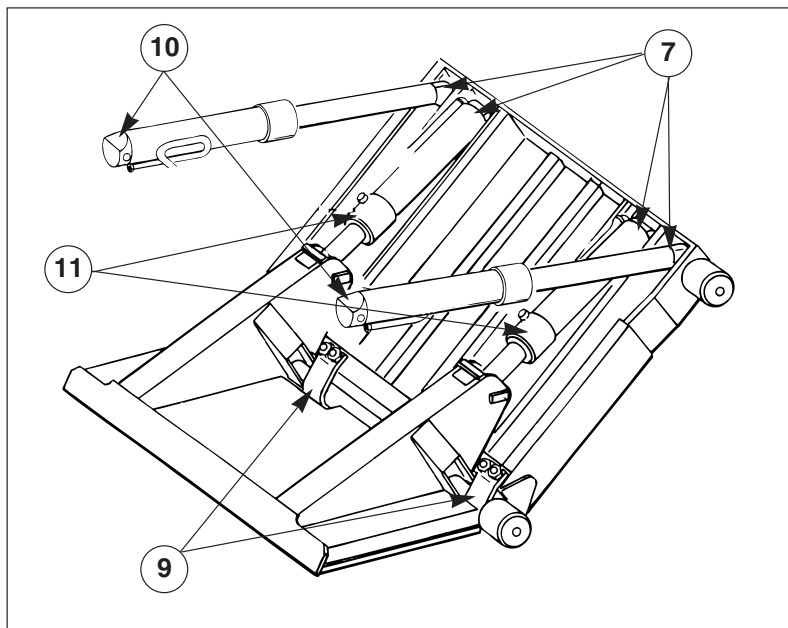
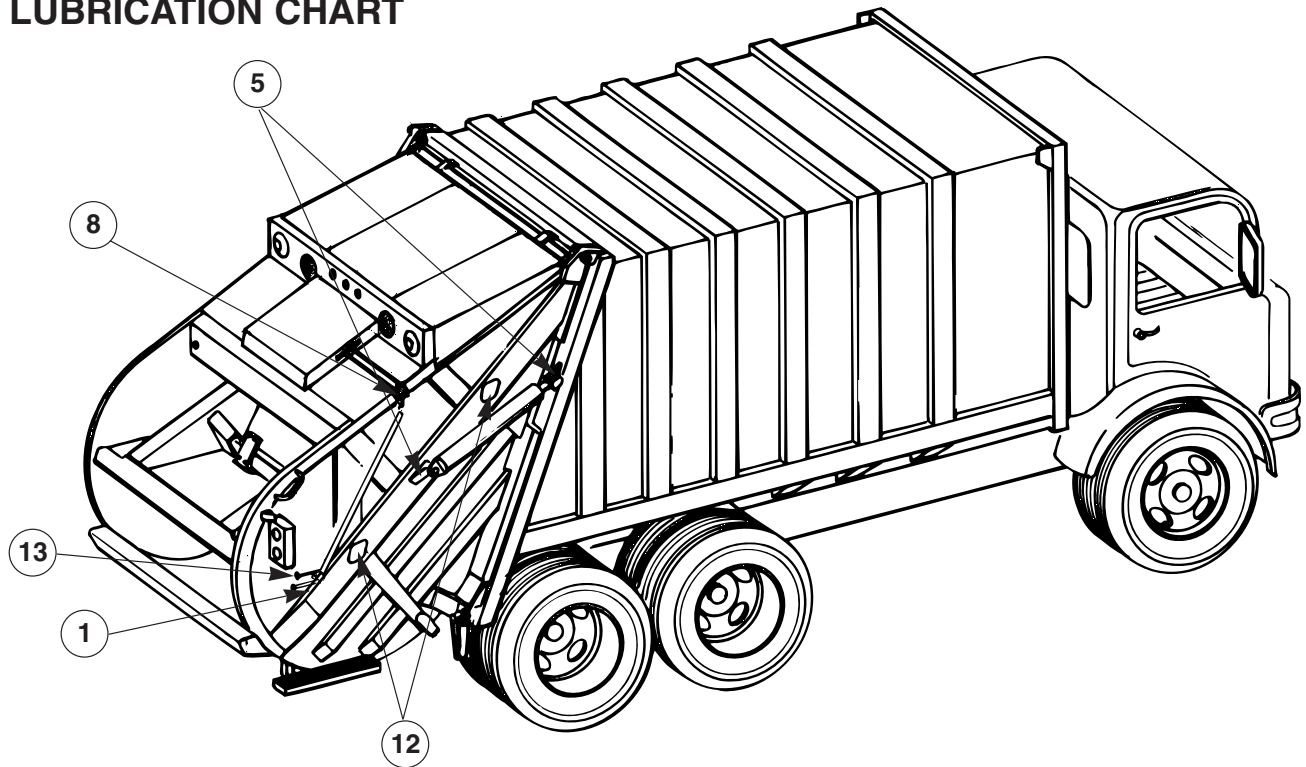
ILLUS.#	LUBE POINT	QTY	NOTE
■ 1	Control levers	2	1
■ 2	Clamp cylinder	3	
● 3	Clamp mechanism	1	
● 4	PTO shaft	2	
● 5	Tailgate lift cylinder (top and bottom)	4	
● 6	Tailgate clamps	2	
● 7	Operating cylinders top pivots	4	2
● Not Shown	Telescopic cylinder pivot pins	2	

▲ CAUTION

In below freezing climates all grease and fluids should have a cold test rating of at least -20° F.

ILLUS.#	LUBE POINT	QTY	NOTE
NOTE			
<i>The packer panel must be in the home position to lubricate the following lube points.</i>			
● 8	Operating valve control lever	4	1
● 9	Inside & outside bearing housing	3	
● 10	Carrier panel cylinder end	1	
● 11	Packer panel cylinder roller ends	2	
● 12	Rollers	4	3 & 4
■ 13	Optional control lever	2	

LUBRICATION CHART



NOTES:

1. These parts require frequent inspection and lubrication as necessary to be in prime working condition.
2. Remove the top cover for access to lube points.
3. Move roller track access covers to grease roller.
4. Rollers need lubrication — roller tracks do not! Grease on the tracks will cause the rollers to slide, keep tracks clean and dry.