

ELECTRICAL SYSTEM

EXPERT 2000™

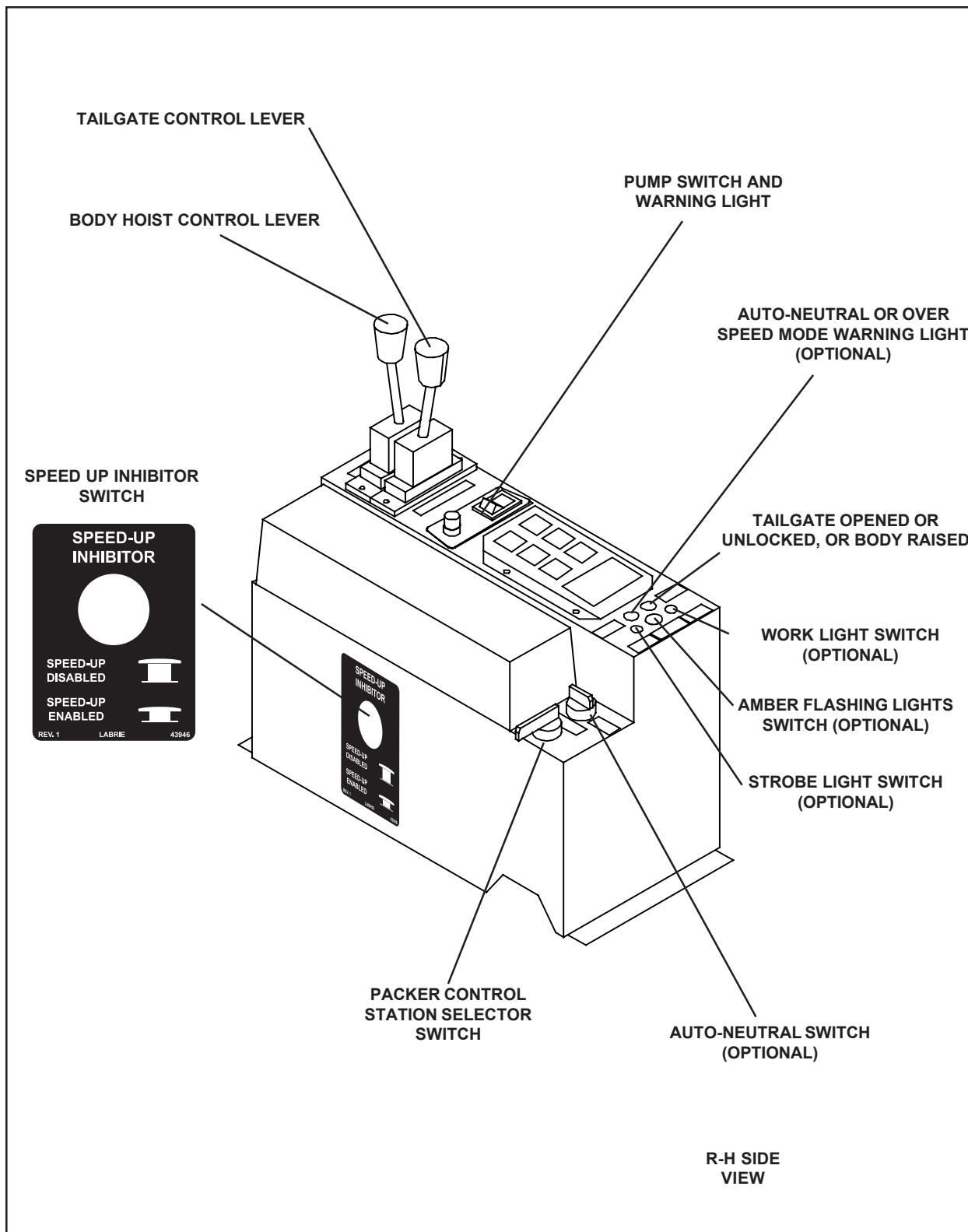
ELECTRICAL SYSTEM

EXPERT 2000™

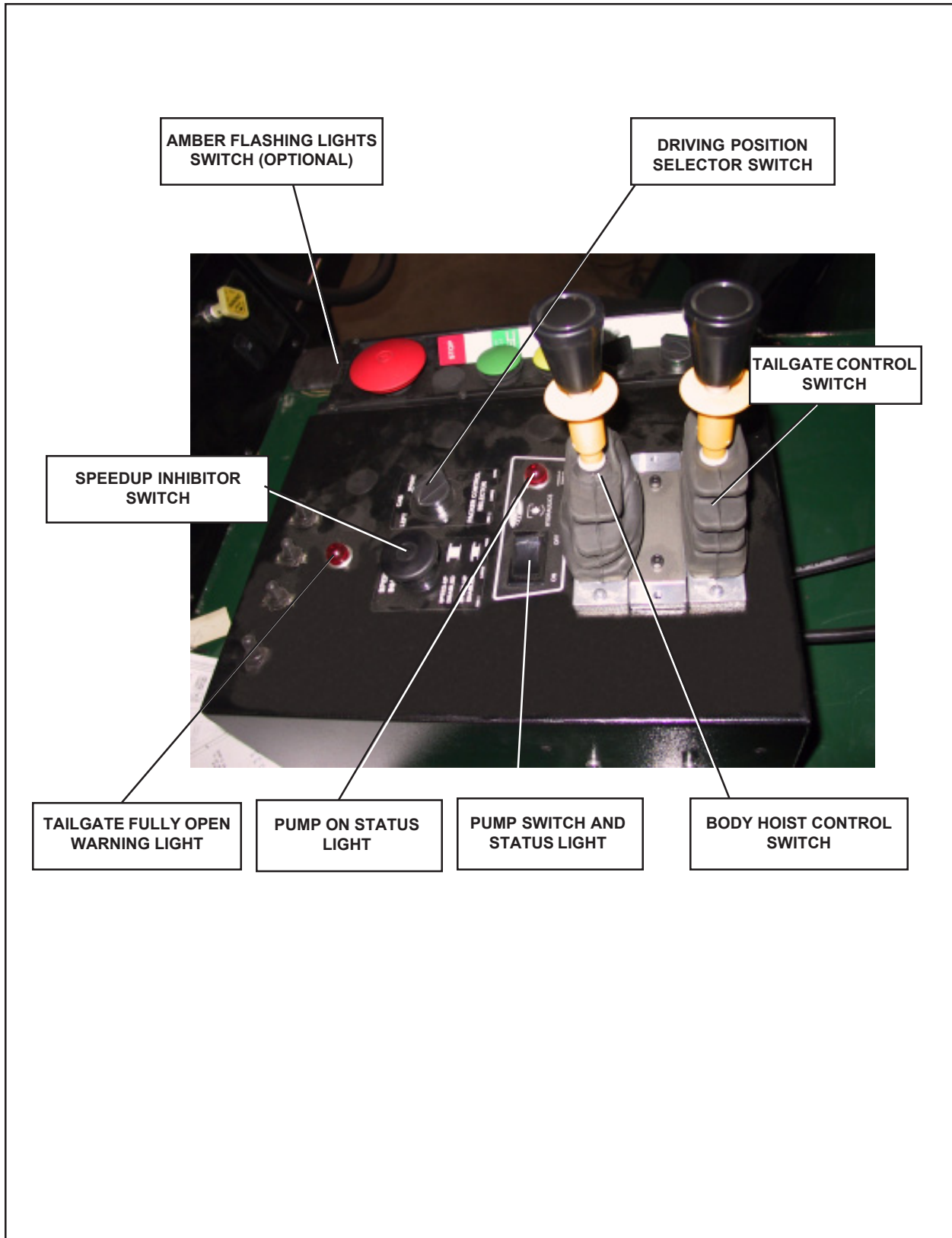
Table of contents

6.0	ELECTRICAL SYSTEM	8-5
6.1	EXPERT 2000™ CONSOLE TYPES AND CONTROLS	8-5
6.1.1	CONVENTIONAL CAB TYPE CONSOLE	8-5
6.1.2	CAB OVER TYPE CONSOLE	8-6
6.1.3	PACKER CONTROL STATION	8-8
6.2	EXPERT 2000™ STANDARD WIRING SCHEMATICS	8-9
6.2.1	OPTIONAL LIGHTING ELECTRICAL SCHEMATIC (TYPICAL SCHEMATIC) ..	8-9
6.2.2	WIRING SCHEMATIC KEY NUMBERS AND COLORS	8-10
6.2.3	ELECTRIC SYMBOLS LEGEND	8-11
6.2.4	ELECTRICAL CONNECTOR	8-12
6.2.5	CONNECTOR CRIMP TOOLS	8-13
6.2.6	MAIN CONSOLE HARNESS (WITH CONSOLES EQUIPPED WITH PNEUMATIC JOYSTICKS)	8-14
6.2.7	MAIN CONSOLE HARNESS PARTS LIST (WITH CONSOLES EQUIPPED WITH PNEUMATIC JOYSTICKS)	8-15
6.2.8	MAIN CONSOLE HARNESS (WITH CONSOLES EQUIPPED WITH PNEUMATIC TOGGLE SWITCHES)	8-16
6.2.9	MAIN CONSOLE HARNESS PARTS LIST (WITH CONSOLES EQUIPPED WITH PNEUMATIC TOGGLE SWITCHES)	8-17
6.2.10	ELECTRICAL SCHEMATICS	8-18
6.3	BODY LIGHTING SYSTEM	8-19
6.3.1	STANDARD AND COMINGLE BODY LIGHTING SYSTEM (SINGLE TAILGATE) 8-19	
6.3.2	STANDARD AND COMINGLE BODY LIGHTING SYSTEM (DUAL TAILGATE) . 8- 21	

6.0 ELECTRICAL SYSTEM
6.1 EXPERT 2000™ CONSOLE TYPES AND CONTROLS
6.1.1 CONVENTIONAL CAB TYPE CONSOLE



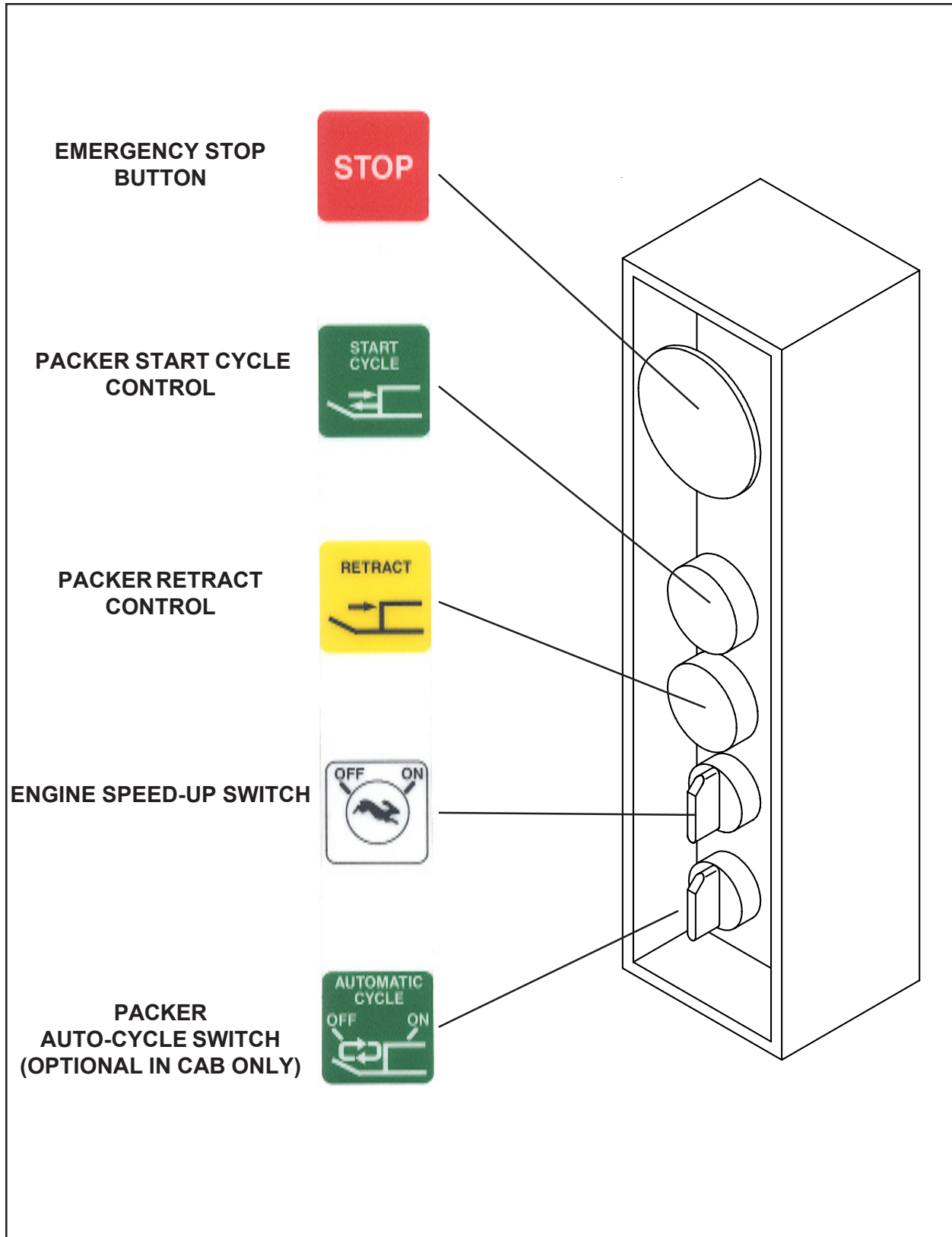
6.1.2 CAB OVER TYPE CONSOLE



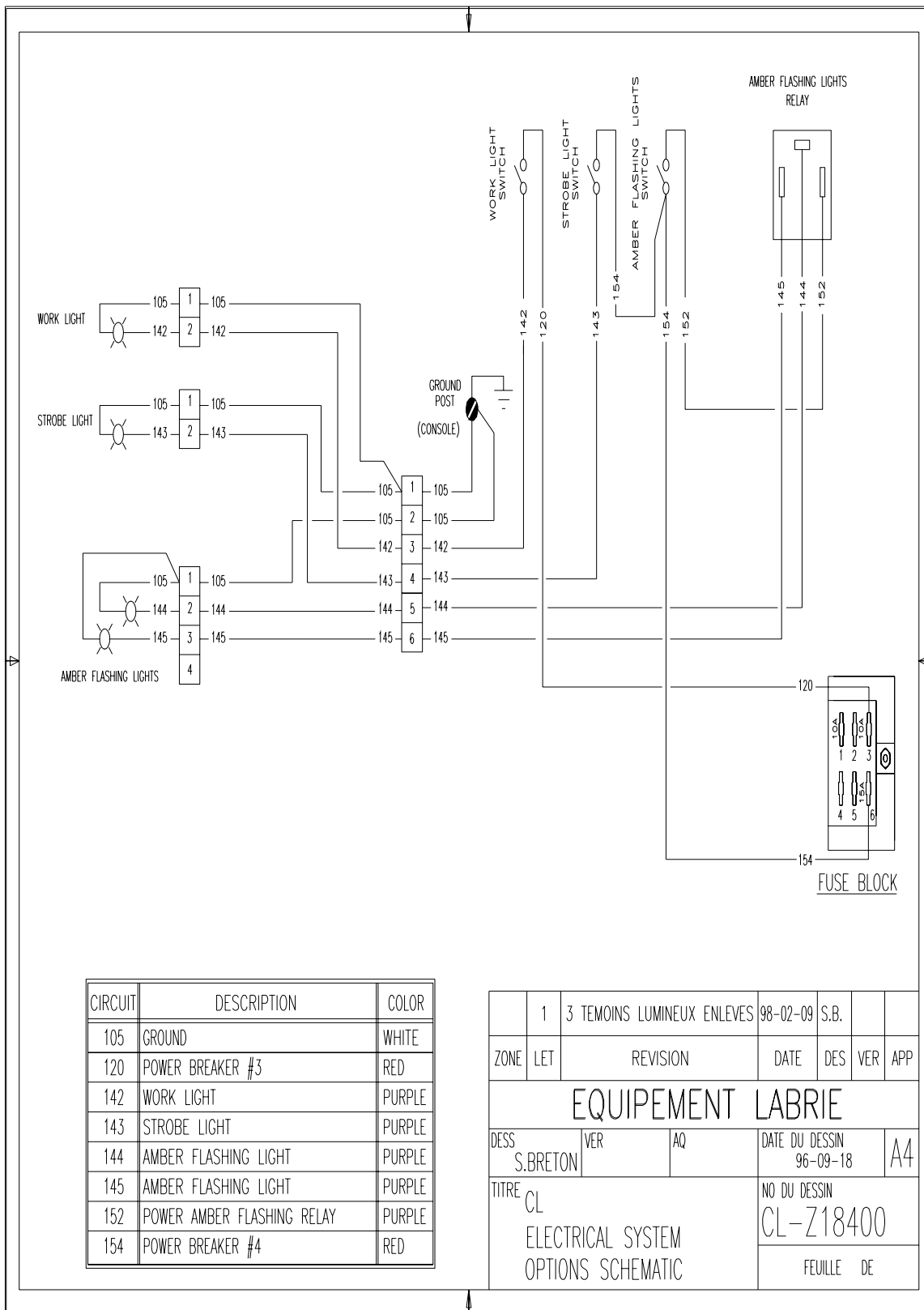
6.3.1 STANDARD AND CO-MINGLE BODY LIGHTING SYSTEM (Single tailgate)

NO.	PARTS NO.	DESCRIPTION	QTY.
1	PNA00300	7-PIN JUNCTION BOX	1
2	27516	SEALED CONNECTOR ASSEMBLY	1
3	31477	BACK UP ALARM ASSEMBLY	1
4	27515	BACK UP ALARM HARNESS ASSEMBLY	1
5	27586	BACK UP LIGHT HARNESS ASSEMBLY	1
5	27590	BACK UP LIGHT HARNESS ASSEMBLY (CO-MINGLE)	1
6	ELF06200	CONNECTION HARNESS 396"	1
7	ELF05950	6 WIRES HARNESS 72"	1
8	ELH00300	CLEARANCE LIGHT HARNESS 180"	1
9	ELH00305	CLEARANCE LIGHT HARNESS 324"	1
10	ELL02570	2.5" RED LIGHTS	7
11	QUG02700	2.5" GROMMET	14
12	ELL02525	4" RED LIGHT	4
13	QUG03000	4" GROMMET	6
14	ELL03200	4" BACK UP LIGHTS	2
15	ELM00500	4 OUTLETS JUNCTION BOX	2
16	ELL02900	LICENCE PLATE LIGHT	1
17	ELL02575	2.5" YELLOW LIGHTS	7
18	ELL03100	LICENCE PLATE LIGHT HARNESS	1
19	ELH00200	L-H LIGHT HARNESS	1
20	ELH00100	R-H LIGHT HARNESS	1

6.1.3 PACKER CONTROL STATION



6.2 EXPERT 2000™ STANDARD WIRING SCHEMATICS
6.2.1 OPTIONAL LIGHTING ELECTRICAL SCHEMATIC (TYPICAL SCHEMATIC)




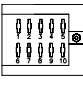
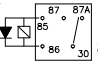

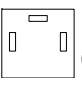
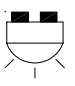
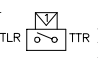
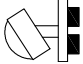
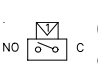
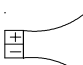
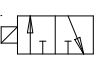
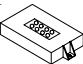
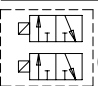
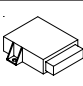
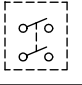
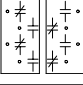
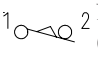
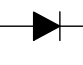
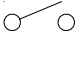
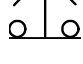





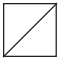
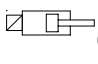
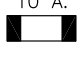
6.2.2 WIRING SCHEMATIC KEY NUMBERS AND COLORS

NOTE: EVERY ELECTRICAL WIRE IS COLOR-CODED AND NUMBERED WITH A CIRCUIT NUMBER EVERY 2 INCHES.

The wiring schematic key numbers and colors appear at the end of this chapter. The information has been placed there only for editing purposes.

6.2.3 ELECTRIC SYMBOLS LEGEND

Refer to this legend to identify the parts on the electrical schematics.

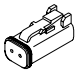

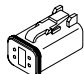
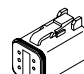
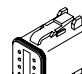
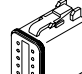








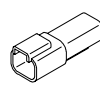

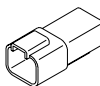
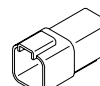
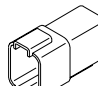
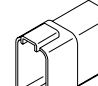







	6 outlets AMP or DEUTSCH connector. (Typical)		10 fuses ATO fuse block (ELR00460)
	12-volt single pole N.O.-N.C. relay (ELR00810) and base (ELR00860)		6" 12-volt strobe light (ELL02765)
	12-volt alternating flasher relay. (ELR00700)		12-volt amber flashing light (ELL02855)
	55 PSI pressure switch N.O. installed on pneumatic line #1. (PNI00600)		12-volt work light (ELL01300)
	0-60 PSI adjustable pressure switch N.O. installed on pneumatic line # 1. (PNI00605)		12-volt backup alarm on chassis (ELA00700)
	12-volt solenoid valve (PNV01957).		Packer module (CL- ELM01005)
	12-volt dual solenoid valve for packer. (PNV01914)		Multi-cycle module (ELM01605)
	Bipolar switch (ELB02505)		2 N.O. , 2 N.C., 3 positions switch (ELB00260, 2 X ELB00270)
	N.C. limit switch (ELI00550, ELC00200 & ELI00850)		1A diode (ELD00100)
	Single pole switch (Toggle-Style: ELI00805; Rocker-Style: ELI00818).		Emergency red button (ELB002200)
	12-volt buzzer on console (ELR01005)		Double pole, double through switch (Toggle-Style: ELI00806).
	12-volt red pilot light (PNI00500 & ELL00200)		
	12-volt green pilot light. (PNI00500 & ELL00300)		
	To ground post into console.		
	12-volt solenoid.		
	12-volt speed-up air actuator. (PNC00250)		
	10 A. 10 A fuse (Typical)		

N.O. = NORMALLY OPEN

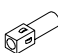
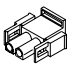
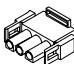
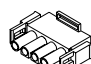
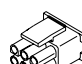
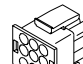
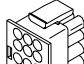









N.C. = NORMALLY CLOSED

6.2.4 ELECTRICAL CONNECTOR

DEUTSCH

 ELC04100	 ELC04160	 ELC04200	 ELC04300	 ELC04400	 ELC04500	 ELT02500
 ELC06100	 ELC06160	 ELC06200	 ELC06300	 ELC06400	 ELC06500	 ELC08000
 ELC05100	 ELC05160	 ELC05200	 ELC05300	 ELC05400	 ELC05500	 ELT02200
 ELC07100	 ELC07160	 ELC07200	 ELC07300	 ELC07400	 ELC07500	

AMP

 ELC04025	 ELC04125	 ELC04150	 ELC04225	 ELC04325	 ELC04425	 ELC04600	 ELT02700
 ELC05025	 ELC05125	 ELC05150	 ELC05225	 ELC05325	 ELC05425	 ELC05600	 ELT02400

6.2.5 CONNECTOR CRIMP TOOLS

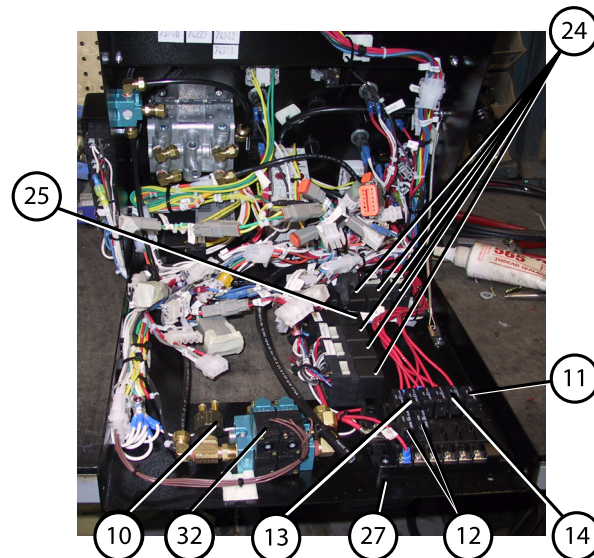
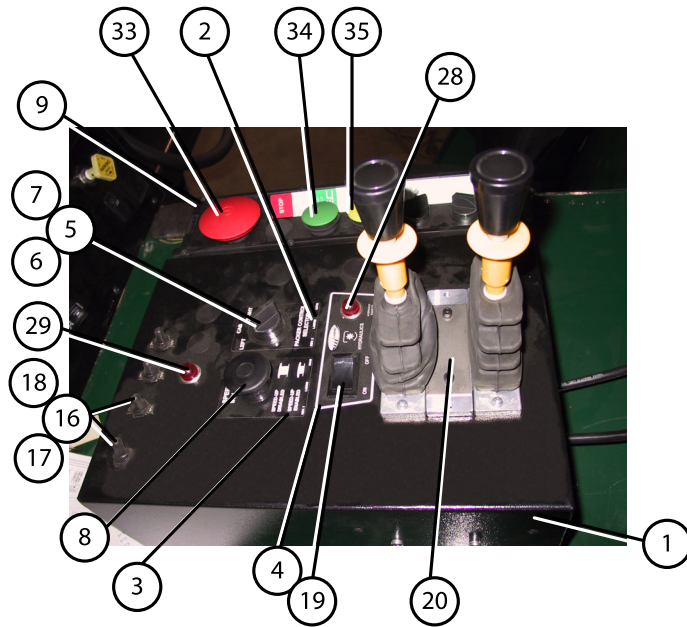
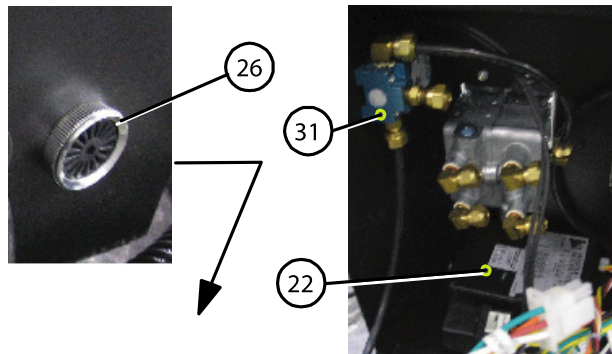


CRIMP TOOL FOR DEUTSCH CONNECTORS



CRIMP TOOL FOR AMP CONNECTORS

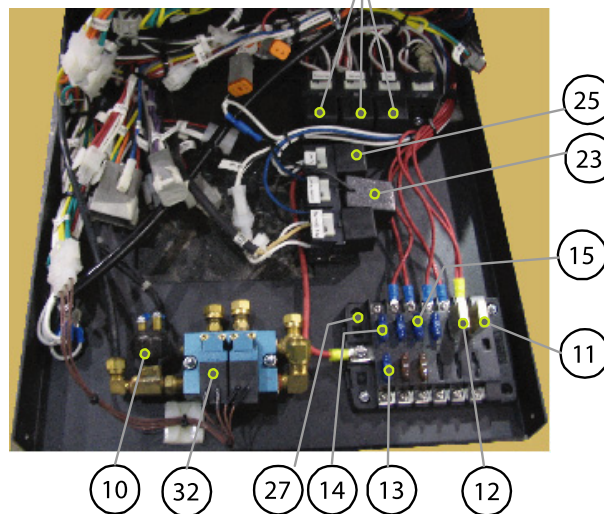
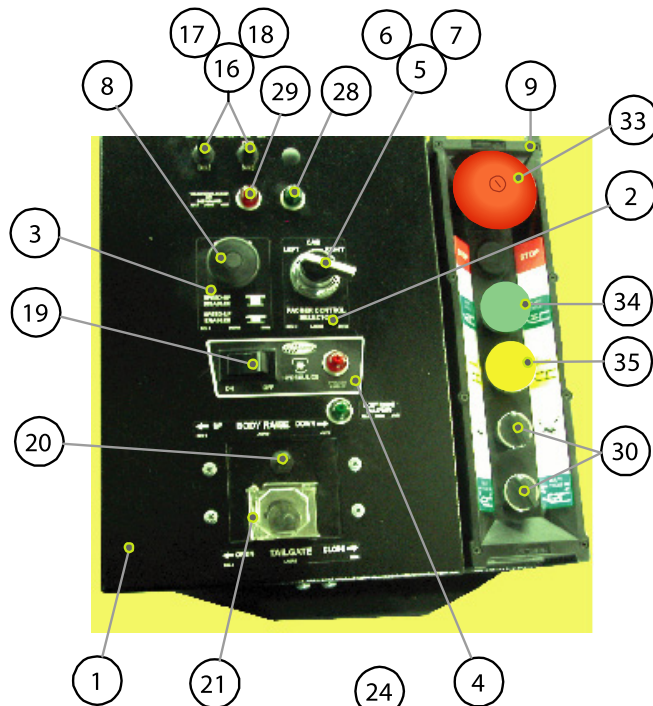
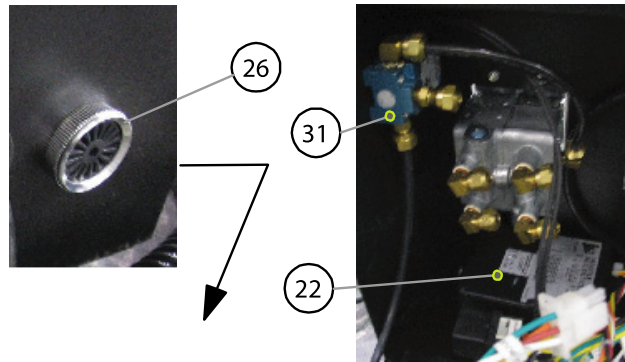
6.2.6 MAIN CONSOLE HARNESS (WITH CONSOLES EQUIPPED WITH PNEUMATIC JOYSTICKS)



6.2.7 MAIN CONSOLE HARNESS PARTS LIST (WITH CONSOLES EQUIPPED WITH PNEUMATIC JOYSTICKS)

NO.	PART #	DESCRIPTION	QTY
1	21152	CONSOLE, FRAME ASSY.	1
2	43753	LABEL	1
3	43946	LABEL	1
4	47646	LABEL	1
5	ELB00260	SELECTOR SWITCH	1
6	ELB00270	CONTACT MEMBER NO/NC	2
7	ELB00290	CONTACT MEMBER NO	1
8	ELB01560	PUSH BUTTON	1
9	ELB01700	PACKER CONTROL PANEL	1
10	PNI00400	PRESSURE SWITCH 45PSI NO	1
11	ELD00475-01	CIRCUIT BREAKER ATO 7.5A	1
12	ELD00300-01	CIRCUIT BREAKER ATO 10A	1
13	ELD00400-02	CIRCUIT BREAKER ATO 15A	1
14	ELD00500-02	CIRCUIT BREAKER ATO 20A	1
16	ELI00361	SWITCH	2
17	ELI00810	PLATE, SWITCH	2
18	EL00813	COVER, SWITCH	1
19	ELI00818	PTO SWITCH	1
20	PNJ00110	BODY RAISE/TAILGATE CONTROL LEVER ASSEMBLY (SINGLE LOCK)	1
	PNJ00120	BODY RAISE/TAILGATE CONTROL LEVER ASSEMBLY (DUAL LOCK)	1
22	ELM01605	ELECTRIC MODULE	2
23	ELR00705	FLASHER RELAY	1
24	ELR00810	RELAY	1
25	ELR00830	RELAY	1
26	ELR01005	BUZZER	1
27	ELS00461	FUSE PANEL	1
28	ELV00510	LIGHT, WARNING-RED	2
29	ELV00510	LIGHT, WARNING-RED	2
30	ELB02500	SWITCH	2
31	ELB02505	SWITCH	1
32	PNV01957	AIR SOLENOID VALVE	1
33	ELB02200	RED EMERGENCY-STOP BUTTON	1
34	ELB02300	GREEN PUSH-BUTTON	1
35	ELB02000	YELLOW PUSH-BUTTON	1

6.2.8 MAIN CONSOLE HARNESS (WITH CONSOLES EQUIPPED WITH PNEUMATIC TOGGLE SWITCHES)

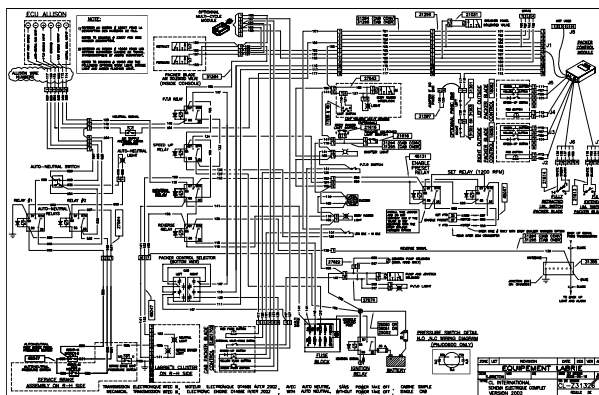


6.2.9 MAIN CONSOLE HARNESS PARTS LIST (WITH CONSOLES EQUIPPED WITH PNEUMATIC TOGGLE SWITCHES)

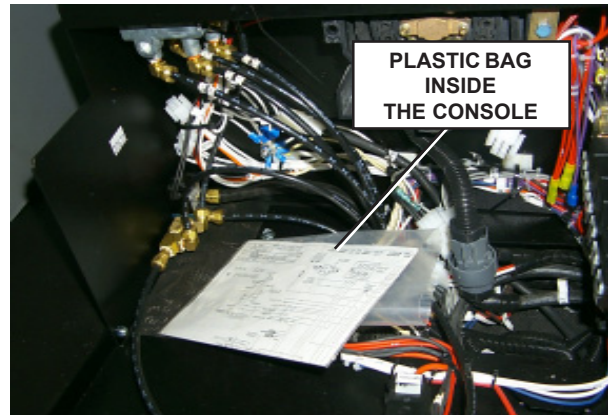
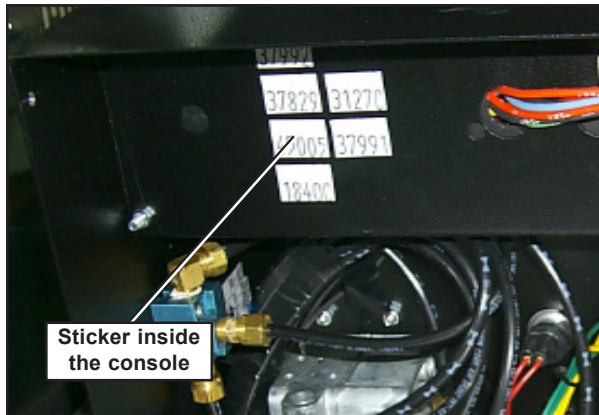
NO.	PART #	DESCRIPTION	QTY
1	21152	CONSOLE, FRAME ASSY.	1
2	43753	LABEL	1
3	43946	LABEL	1
4	47646	LABEL	1
5	ELB00260	SELECTOR SWITCH	1
6	ELB00270	CONTACT MEMBER NO/NC	2
7	ELB00290	CONTACT MEMBER NO	1
8	ELB01560	PUSH BUTTON	1
9	ELB01700	PACKER CONTROL PANEL	1
10	PN100400	PRESSURE SWITCH 45PSI NO	1
11	ELD00475-01	CIRCUIT BREAKER ATO 7.5A	1
12	ELD00300-01	CIRCUIT BREAKER ATO 10A	1
13	ELD00400-02	CIRCUIT BREAKER ATO 15A	1
14	ELD00500-02	CIRCUIT BREAKER ATO 20A	1
15	ELF00060	FUSE ATO 15A	1
16	ELI00361	SWITCH	2
17	ELI00810	PLATE, SWITCH	2
18	EL00813	COVER, SWITCH	1
19	ELI00818	PTO SWITCH	1
20	ELI01600	BODY RAISE CONTROL LEVER	1
21	ELI01605	TAILGATE CONTROL LEVER	1
22	ELM01605	ELECTRIC MODULE	2
23	ELR00705	FLASHER RELAY	1
24	ELR00810	RELAY	1
25	ELR00830	RELAY	1
26	ELR01005	BUZZER	1
27	ELS00461	FUSE PANEL	1
28	ELV00510	LIGHT, WARNING-RED	2
29	ELV00510	LIGHT, WARNING-RED	2
30	ELB02500	SWITCH	2
31	ELB02505	SWITCH	1
32	PNV01957	AIR SOLENOID VALVE	1
33	ELB02200	RED EMERGENCY-STOP BUTTON	1
34	ELB02300	GREEN PUSH-BUTTON	1
35	ELB02000	YELLOW PUSH-BUTTON	1

6.2.10 ELECTRICAL SCHEMATICS

NOTE: EACH VEHICLE HAS SPECIFIC ELECTRICAL SCHEMATICS DEPENDING ON THE OPTIONS AND THE VEHICLE CONFIGURATION. THE SCHEMATICS ARE IDENTIFIED BY A NUMBER ON THE BOTTOM RIGHT CORNER. THESE NUMBERS ARE PRINTED ON A STICKER FOUND ON THE INSIDE WALL OF THE CONSOLE INSTALLED IN THE MIDDLE OF THE CAB. ALSO, A SET OF SCHEMATICS IN A PLASTIC BAG IS PROVIDED INSIDE THE CONSOLE AS WELL AS IN THE OPERATORS MANUAL SOFT CASE INSTALLED ON ONE OF THE CAB'S WALLS.

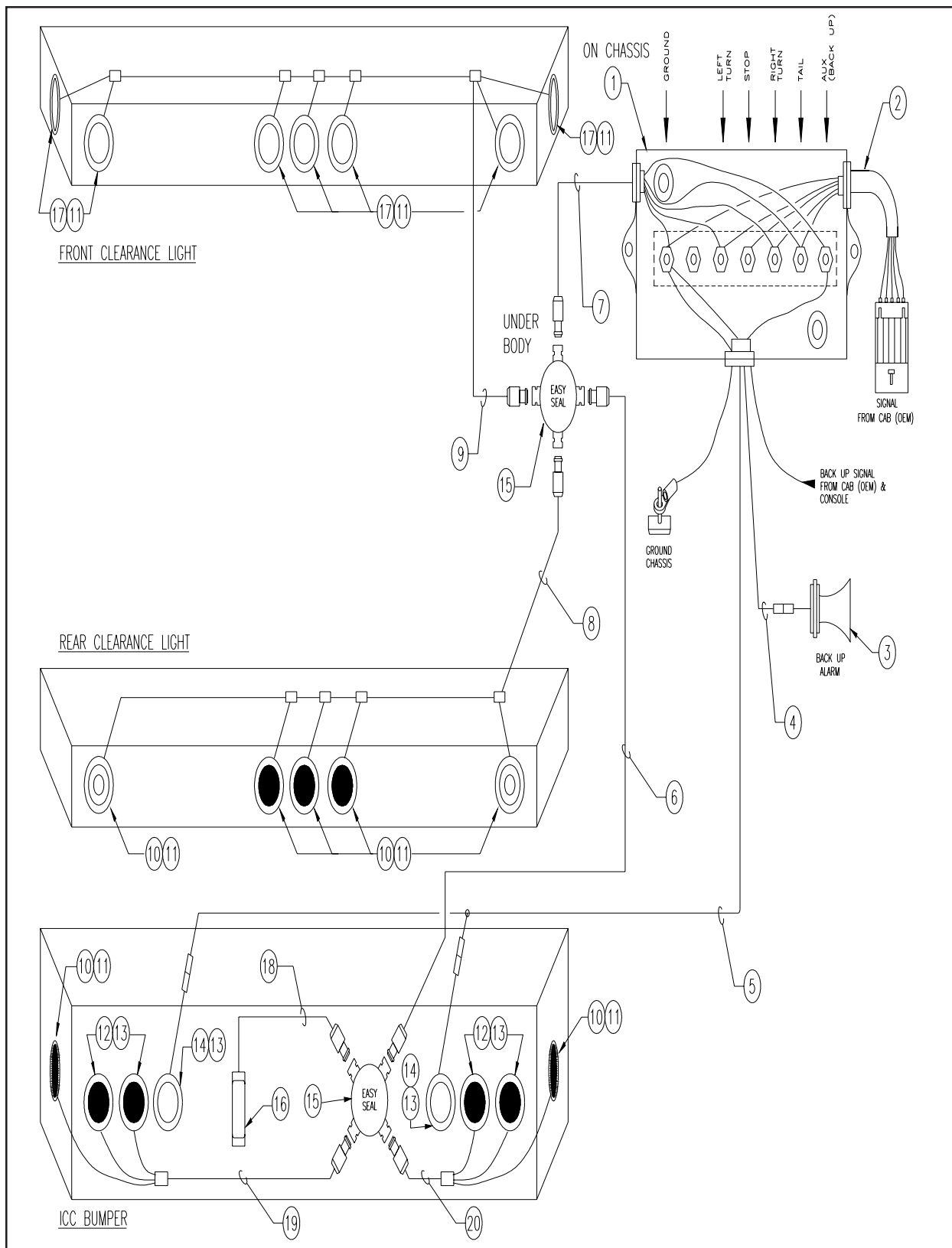


SCHEMATIC
NUMBER



6.3 BODY LIGHTING SYSTEM

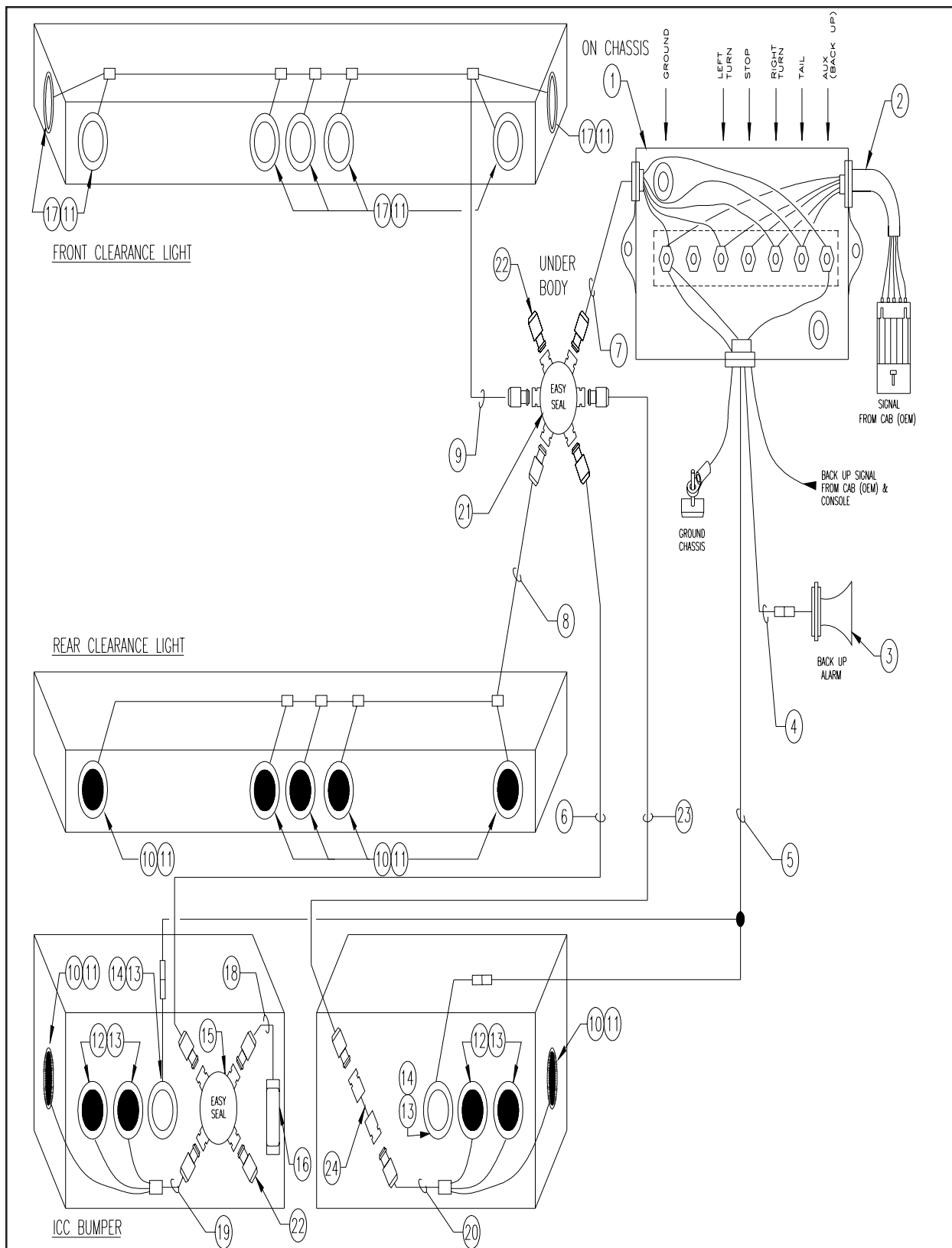
6.3.1 STANDARD AND COMINGLE BODY LIGHTING SYSTEM (SINGLE TAILGATE)



6.3.1 STANDARD AND CO-MINGLE BODY LIGHTING SYSTEM (Single tailgate)

NO.	PARTS NO.	DESCRIPTION	QTY.
1	PNA00300	7-PIN JUNCTION BOX	1
2	27516	SEALED CONNECTOR ASSEMBLY	1
3	31477	BACK UP ALARM ASSEMBLY	1
4	27515	BACK UP ALARM HARNESS ASSEMBLY	1
5	27586	BACK UP LIGHT HARNESS ASSEMBLY	1
5	27590	BACK UP LIGHT HARNESS ASSEMBLY (CO-MINGLE)	1
6	ELF06200	CONNECTION HARNESS 396"	1
7	ELF05950	6 WIRES HARNESS 72"	1
8	ELH00300	CLEARANCE LIGHT HARNESS 180"	1
9	ELH00305	CLEARANCE LIGHT HARNESS 324"	1
10	ELL02570	2.5" RED LIGHTS	7
11	QUG02700	2.5" GROMMET	14
12	ELL02525	4" RED LIGHT	4
13	QUG03000	4" GROMMET	6
14	ELL03200	4" BACK UP LIGHTS	2
15	ELM00500	4 OUTLETS JUNCTION BOX	2
16	ELL02900	LICENCE PLATE LIGHT	1
17	ELL02575	2.5" YELLOW LIGHTS	7
18	ELL03100	LICENCE PLATE LIGHT HARNESS	1
19	ELH00200	L-H LIGHT HARNESS	1
20	ELH00100	R-H LIGHT HARNESS	1

6.3.2 STANDARD AND COMINGLE BODY LIGHTING SYSTEM (DUAL TAILGATE)



6.3.2 STANDARD AND COMINGLE BODY LIGHTING SYSTEM (Dual tailgate)

NO.	PARTS NO.	DESCRIPTION	QTY.
1	PNA00300	7-PIN JUNCTION BOX	1
2	27516	SEALED CONNECTOR ASSEMBLY	1
3	31477	BACK UP ALARM ASSEMBLY	1
4	27515	BACK UP ALARM HARNESS ASSEMBLY	1
5	27628	BACK UP LIGHT HARNESS ASSEMBLY	2
5	27627	BACK UP LIGHT HARNESS ASSEMBLY (2 BUMPERS)	1
6	ELF06200	CONNECTION HARNESS 396"	1
7	ELF05950	6 WIRES HARNESS 72"	1
8	ELH00300	CLEARANCE LIGHT HARNESS 180"	1
9	ELH00305	CLEARANCE LIGHT HARNESS 324"	1
10	ELL02570	2.5" RED LIGHTS	7
11	QUG02700	2.5" GROMMET	14
12	ELL02525	4" RED LIGHT	4
13	QUG03000	4" GROMMET	6
14	ELL03200	4" BACK UP LIGHTS	2
15	ELM00500	4 OUTLETS JUNCTION BOX	1
16	ELL02900	LICENCE PLATE LIGHT	1
17	ELL02575	2.5" YELLOW LIGHTS	7
18	ELL03100	LICENCE PLATE LIGHT HARNESS	1
19	ELH00200	L-H LIGHT HARNESS	1
20	ELH00100	R-H LIGHT HARNESS	1
21	ELM00600	6 OUTLETS JUNCTION BOX	1
22	QUB01450	CAP	2
23	ELF06400	JUNCTION BOX HARNESS 504"	1
24	27741	FEMALE ADAPTOR	1

