

CART TIPPER

EXPERT 2000

CART TIPPER

EXPERT 2000

Table of contents

6.0	EXPERT 2000 CART TIPPER	6 -5
6.1	CART TIPPER HYDRAULIC	6 -5
6.1.1	INTRODUCTION	6 -5
6.1.2	HOW TO ORDER	6 -7
6.2	CART TIPPER WITH HYDRAULIC CYLINDER	6 -8
6.2.1	RIGHT-HAND SIDE CART TIPPER	6 -8
6.2.2	LEFT-HAND SIDE CART TIPPER	6 -10
6.2.3	DUAL SIDE CART TIPPERS	6 -12
6.3	CART TIPPER WITH ROTARY ACTUATOR	6 -14
6.3.1	RIGHT-HAND SIDE CART TIPPER	6 -14
6.3.2	LEFT-HAND SIDE CART TIPPER	6 -16
6.3.3	DUAL SIDE CART TIPPERS	6 -18

6.0 EXPERT 2000 CART TIPPER

6.1 CART TIPPER HYDRAULIC

6.1.1 INTRODUCTION

Cart tippers installed on the Labrie Expert 2000 can handle American and European type roller carts from 38 to 95 US gallons (140 to 360 liters). Labrie offers two types of cart tippers. The first type uses a vertical hydraulic cylinder (Figure #6.1). The second type is driven by a rotary actuator or hydraulic motor, which can be identified by its horizontal configuration (Figure #6.2).



FIGURE #6.1



FIGURE #6.2

In this section, you will find the hydraulic installation for the cart tippers. The configuration of the cart tipper may differ from the illustration. For ordering cart tipper hydraulic parts, give the serial number of the vehicle and a brief description of the part. Since May 2002, Labrie installed tags on all hoses and pipes, which indicates the part number and revision of the component.

6.1.2 HOW TO ORDER

When ordering hydraulic components, always specify the following:

A) Body serial number: eg. **CL 95 XXXAAA**

VEHICLE TYPE PREFIX

YEAR

SERIAL #

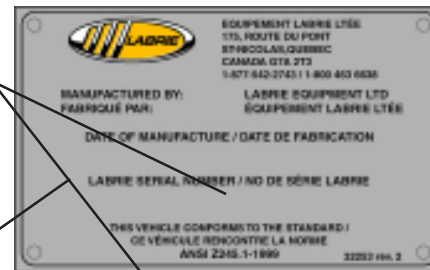


Figure #5.1

CANADIAN ID PLATE

U.S. ID PLATE



Figure #5.2

The serial number of the chassis(VIN) and the body serial number are located inside the cab(Figure #5.1). An ID plate located on the L-H side of the body will also provide body serial number and the date of manufacture(Figure #5.2).

B) The type of body. There are four different types of bodies (without tailgate). These capacities determine the length of the body, therefore the type of hydraulic pipes, hoses, hoists and pumps.

- 17 cubic yard
- 22 cubic yard
- 29 cubic yard
- 34 cubic yard

C) The type of pump

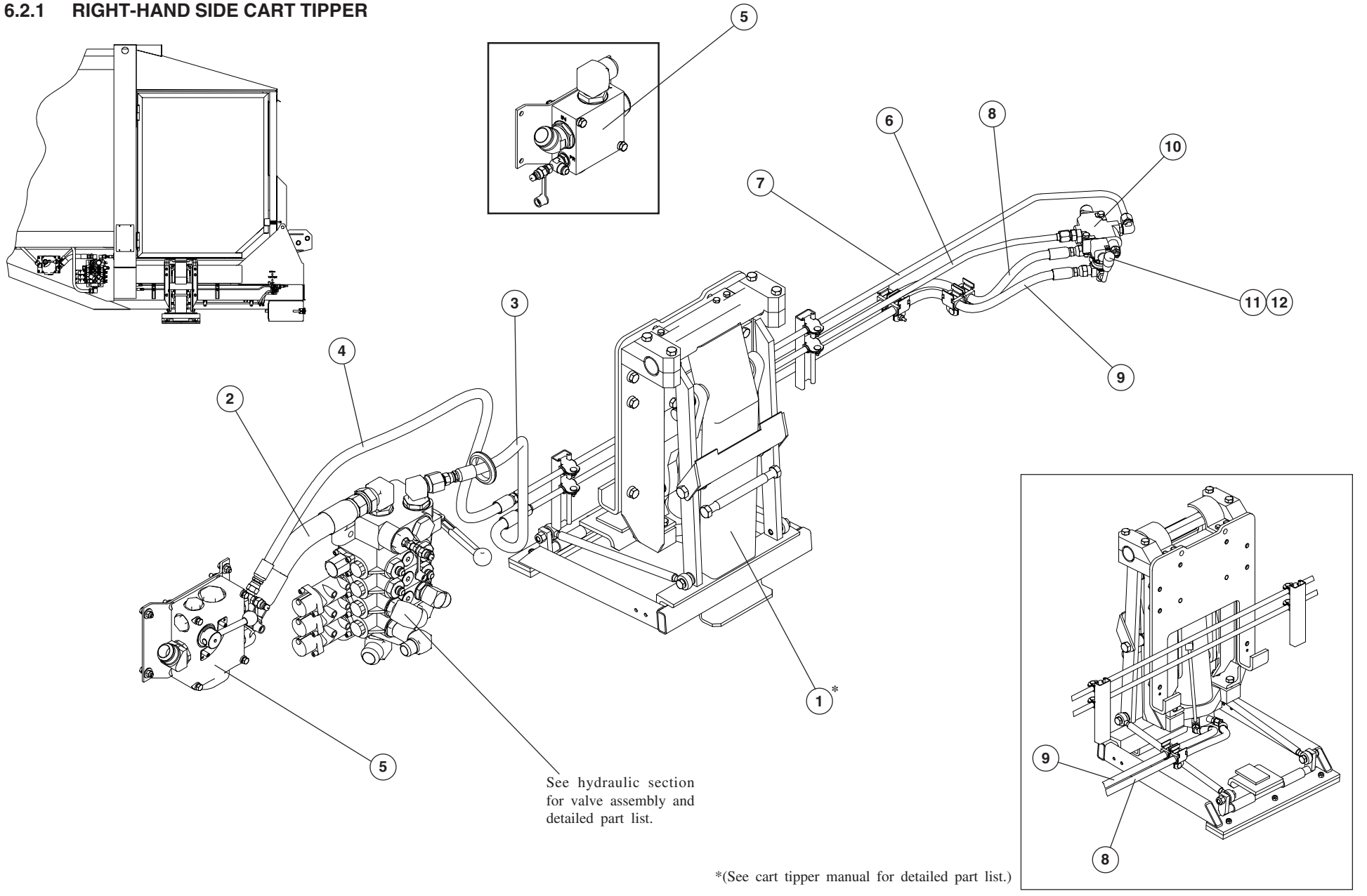
- Tyrone
- Denison
- Muncie

D) The type of chassis with wheel configuration, i.e.: International 4900 6x4

E) Type of transmission, i.e.: Allison MD3560

6.2 CART TIPPER WITH HYDRAULIC CYLINDER

6.2.1 RIGHT-HAND SIDE CART TIPPER



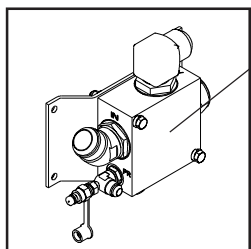
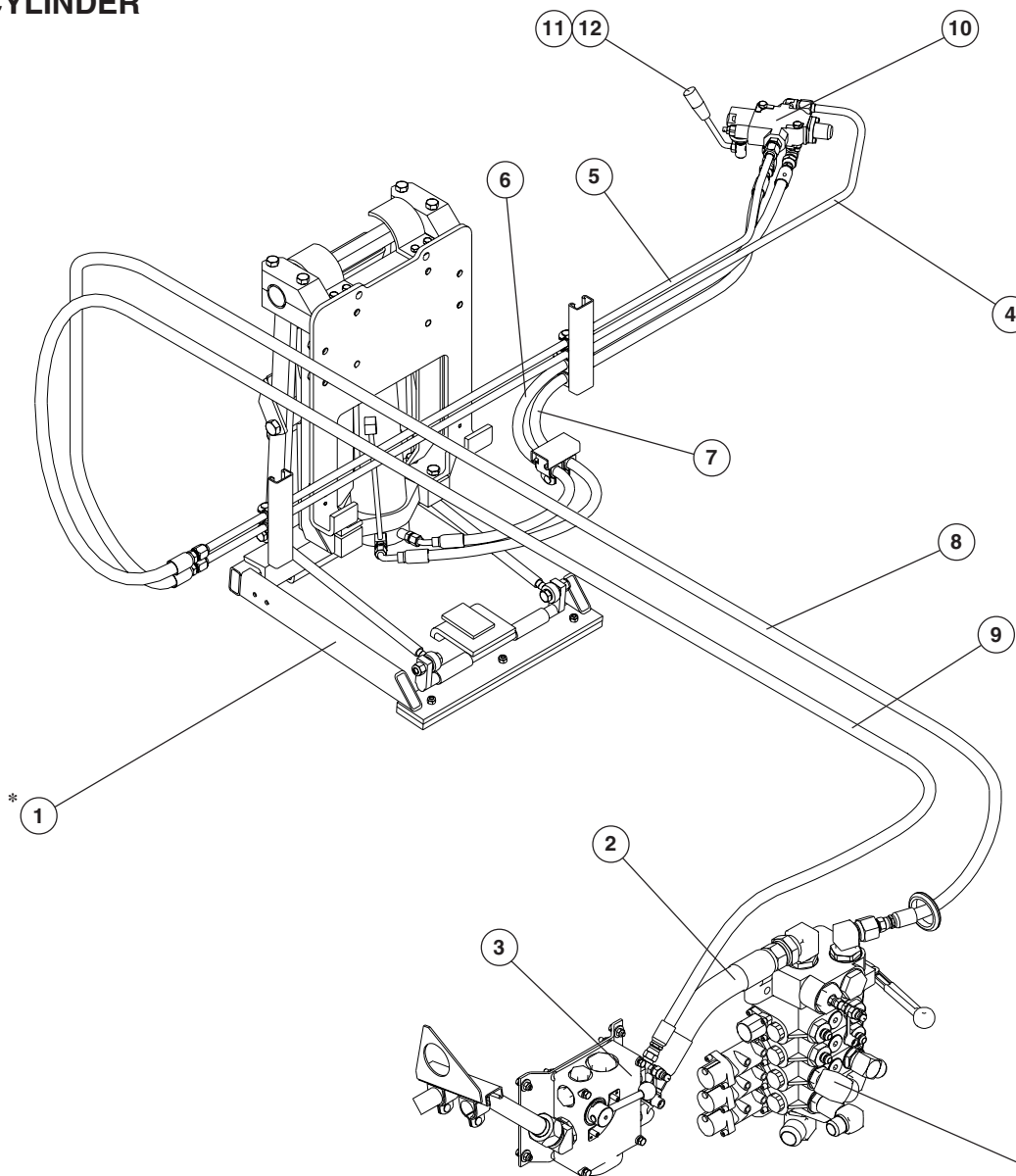
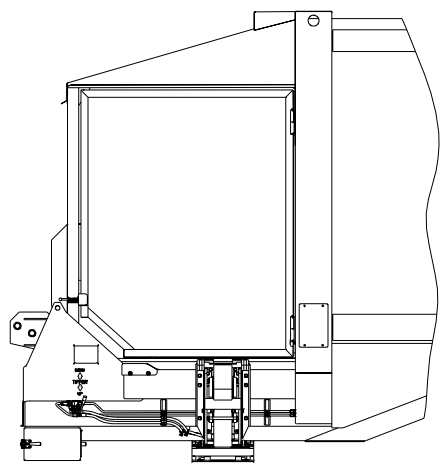
6.2 CART TIPPER WITH HYDRAULIC CYLINDER

6.2.1 RIGHT-HAND SIDE CART TIPPER

No.	Part no.	Description	Qty.
1	Serial# only	Cart tipper assy.	1
2	Serial# only	Hose	1
3	10911	Hose	1
4	Serial# only	Hose	1
5	Serial# only	Adjustable flow divider	1
5	Serial# only	Fixed flow divider (optional)	1
6	20074	Pipe	1
7	25659	Pipe	1
8	30416	Pipe	1
9	30417	Hose	1
10	HYV03505	Cart tipper control valve	1
11	HYV03325	Handle adaptor	1
12	HYV03330	Handle	1

6.2 CART TIPPER WITH HYDRAULIC CYLINDER

6.2.2 LEFT-HAND SIDE CART TIPPER



*(See cart tipper manual for detailed part list.)

See hydraulic section
for valve assembly and
detailed part list.

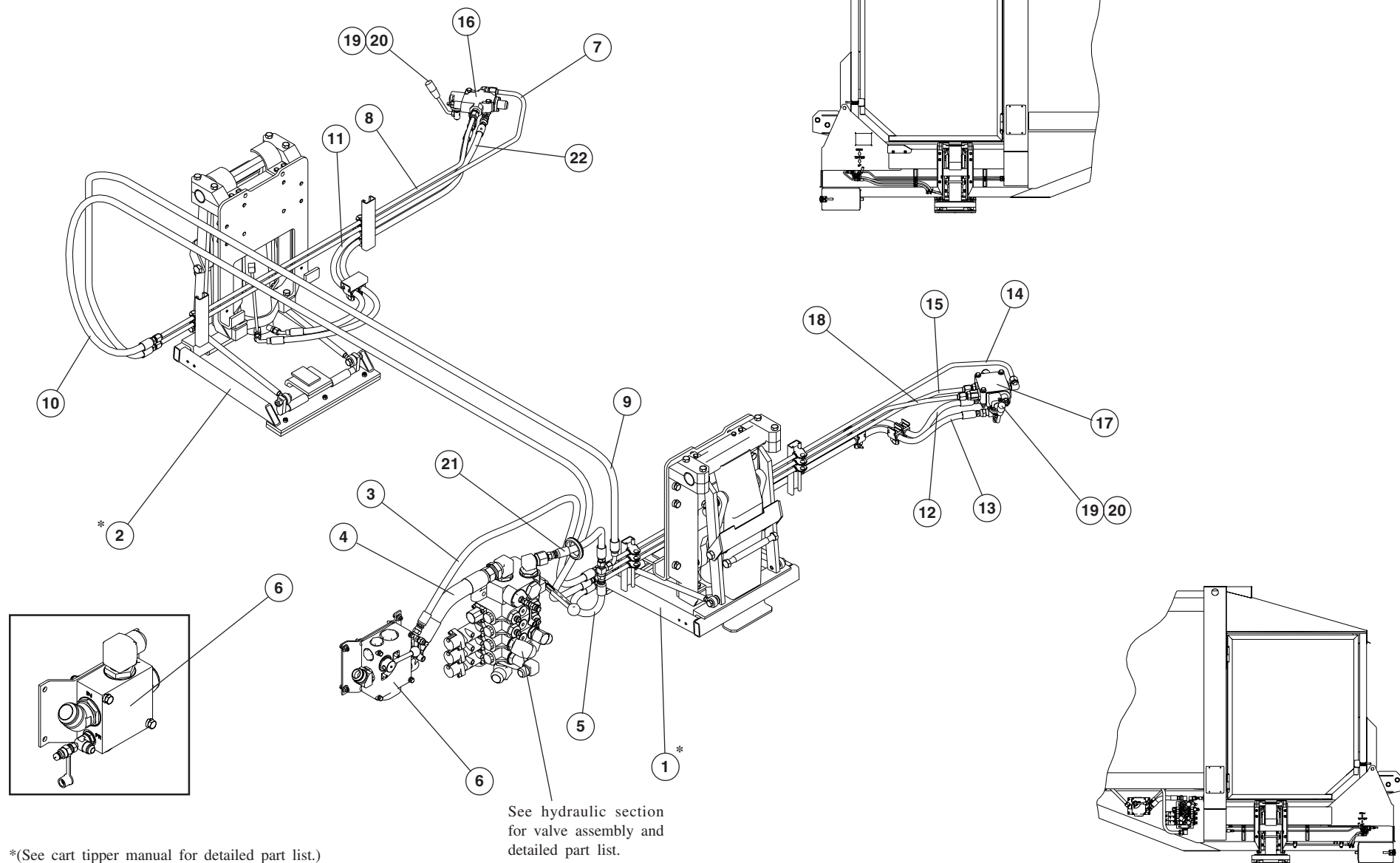
6.2 CART TIPPER WITH HYDRAULIC CYLINDER

6.2.2 LEFT-HAND SIDE CART TIPPER

No.	Part no.	Description	Qty.
1	Serial# only	Cart tipper assy.	1
2	Serial# only	Hose	1
3	Serial# only	Adjustable flow divider	1
3	Serial# only	Fixed flow divider (optional)	1
4	25641	Pipe	1
5	25642	Pipe	1
6	30417	Pipe	1
7	30420	Pipe	1
8	30311	Pipe	1
9	30310	Hose	1
10	HYV03505	Cart tipper control valve	1
11	HYV03325	Handle adaptor	1
12	HYV03330	Handle	1

6.2 CART TIPPER WITH HYDRAULIC CYLINDER

6.2.3 DUAL SIDE CART TIPPERS



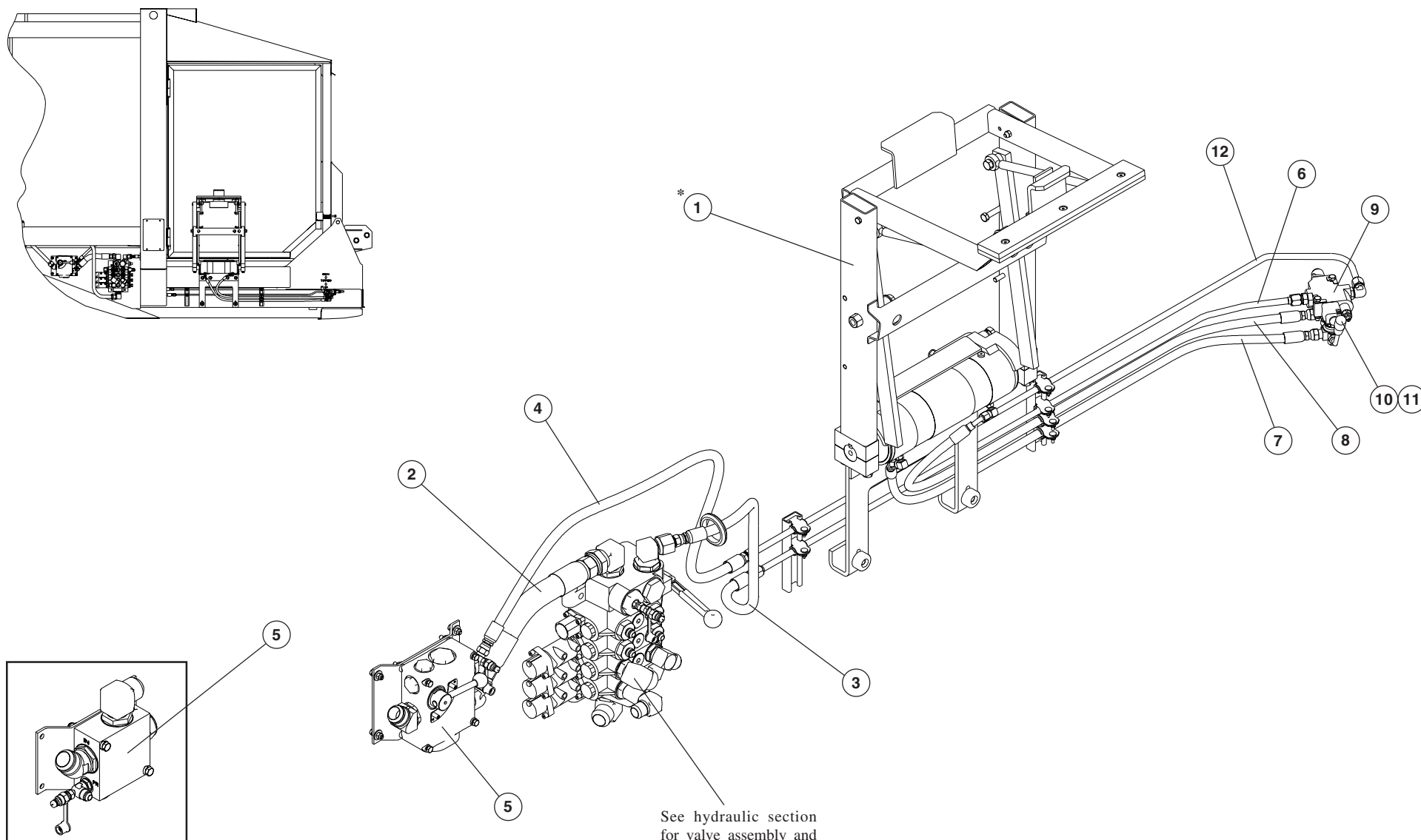
6.2 CART TIPPER WITH HYDRAULIC CYLINDER

6.2.3 DUAL SIDE CART TIPPERS

No.	Part no.	Description	Qty.
1	Serial# only	Right-hand side cart tipper assy.	1
2	Serial# only	Left-hand side cart tipper assy.	1
3	Serial# only	Hose	1
4	Serial# only	Hose	1
5	11482	Pipe	1
6	Serial# only	Adjustable flow Divider	1
6	Serial# only	Fixed flow divider (optional)	1
7	25641	Pipe	1
8	25642	Pipe	1
9	25664	Hose	1
10	25665	Hose	1
11	30420	Hose	1
12	30416	Hose	1
13	30417	Hose	1
14	25659	Pipe	1
15	25660	Pipe	1
16	HYV03505	Left-hand side cart tipper control valve	1
17	HYV03510	Right-Hand side cart tipper control valve	1
18	25649	Pipe	1
19	HYV03325	Handle adaptor	1
20	HYV03330	Handle	1
22	30417	Hose	1

6.3 CART TIPPER WITH ROTARY ACTUATOR

6.3.1 RIGHT-HAND SIDE CART TIPPER



*(See cart tipper manual for detailed part list.)

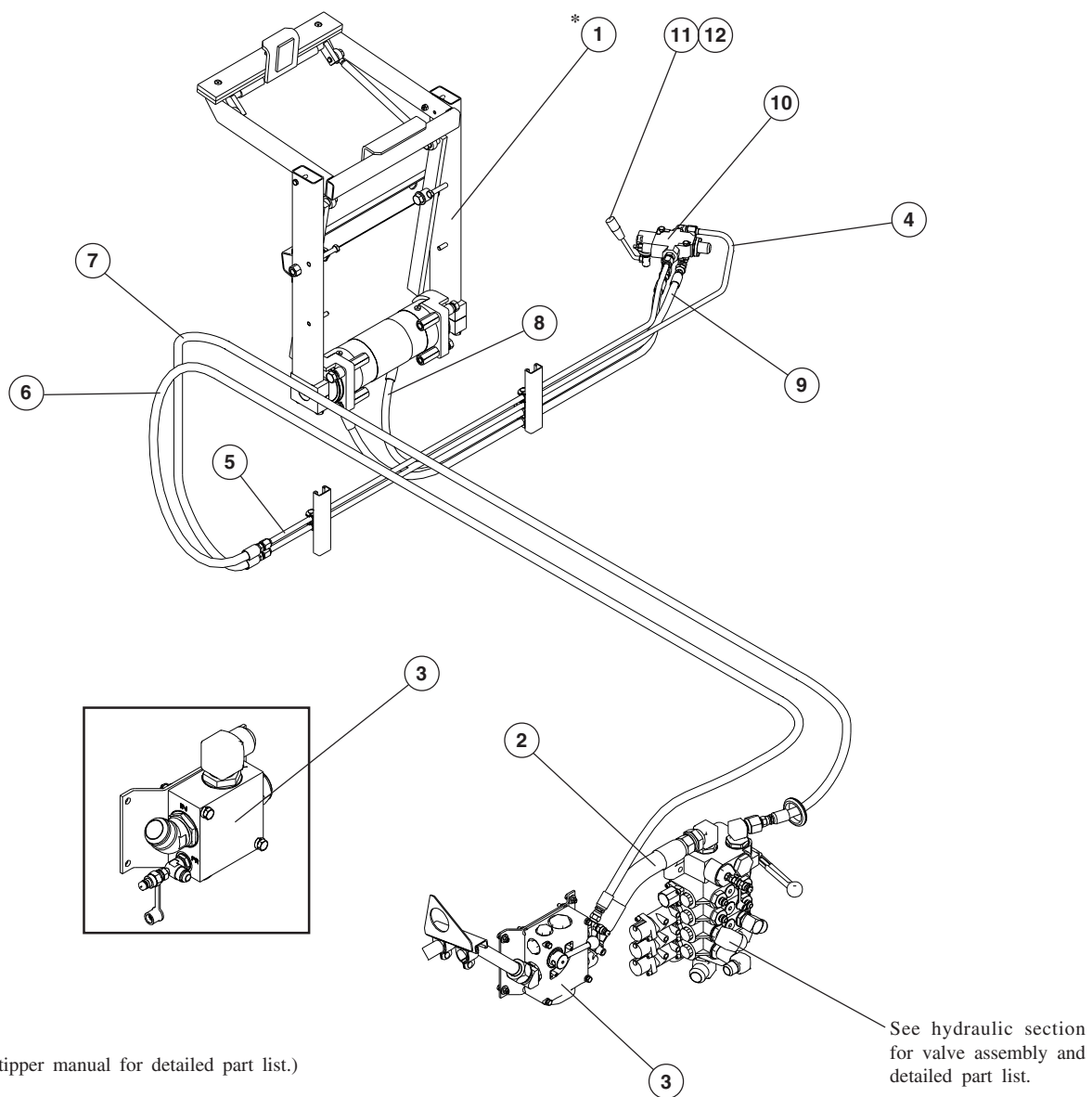
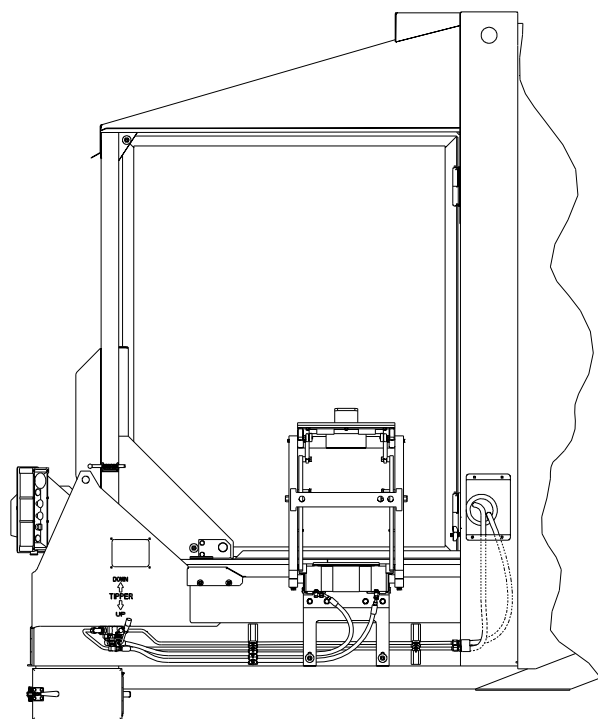
6.3 CART TIPPER WITH ROTARY ACTUATOR

6.3.1 RIGHT-HAND SIDE CART TIPPER

No.	Part no.	Description	Qty.
1	Serial# only	Cart tipper assy.	1
2	Serial# only	Hose	1
3	10911	Hose	1
4	Serial# only	Hose	1
5	Serial# only	Adjustable flow Divider	1
5	Serial# only	Fixed flow divider (optional)	1
6	20074	Pipe	1
7	30416	Hose	1
8	30416	Hose	1
9	HYV03505	Cart tipper control valve	1
10	HYV03325	Handle adaptor	1
11	HYV03330	Handle	1
12	25659	Pipe	1

6.3 CART TIPPER WITH ROTARY ACTUATOR

6.3.2 LEFT-HAND SIDE CART TIPPER



*(See cart tipper manual for detailed part list.)

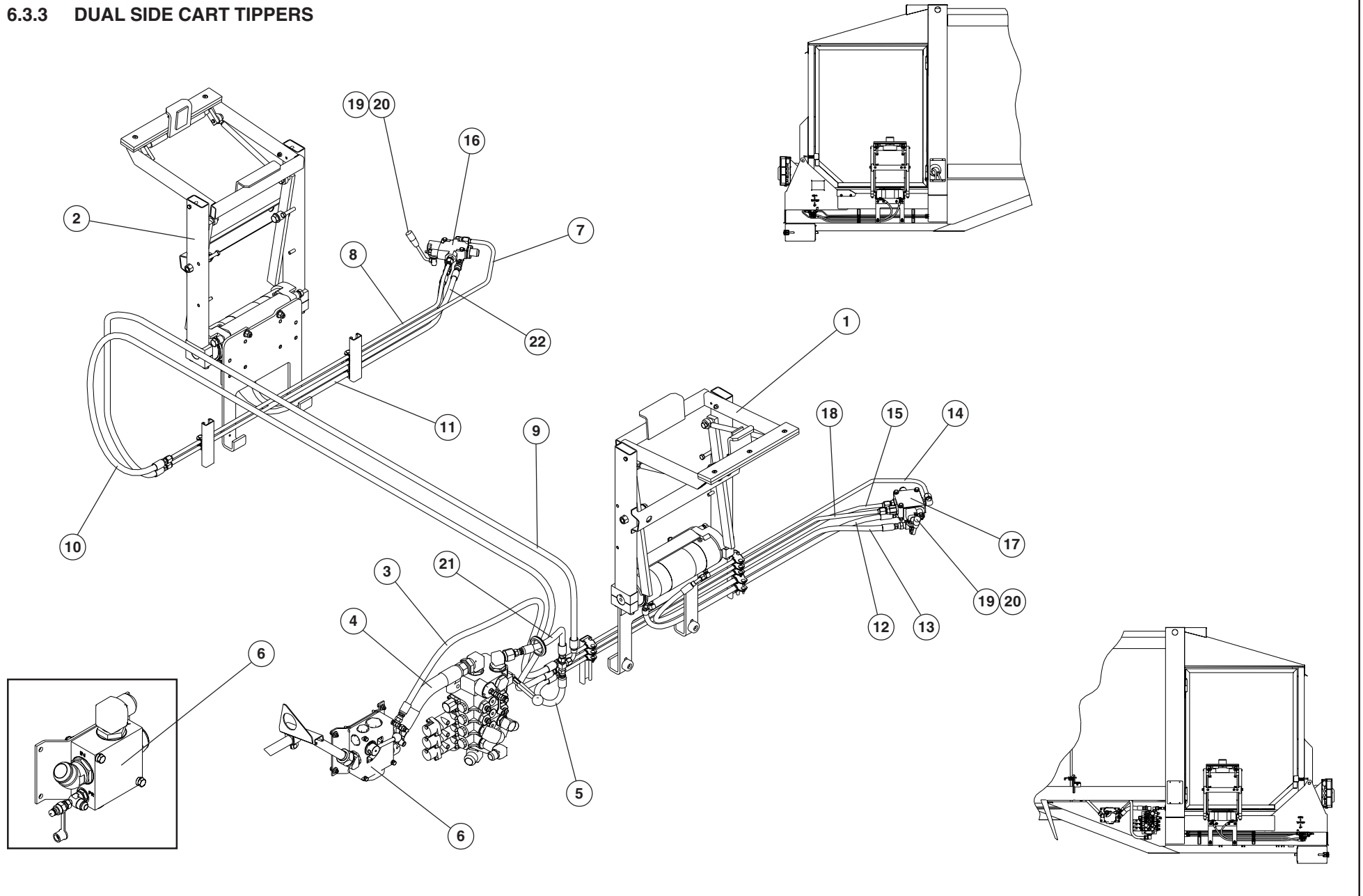
See hydraulic section
for valve assembly and
detailed part list.

6.3 CART TIPPER WITH ROTARY ACTUATOR

6.3.2 LEFT-HAND SIDE CART TIPPER

No.	Part no.	Description	Qty.
1	Serial# only	Cart tipper assy.	1
2	Serial# only	Hose	1
3	Serial# only	Adjustable flow divider	1
3	Serial# only	Fixed flow divider (optional)	1
4	25641	Pipe	1
5	25642	Pipe	1
6	30310	Hose	1
7	30311	Hose	1
8	30416	Hose	1
9	30416	Hose	1
10	HYV03505	Cart tipper control valve	1
11	HYV03325	Handle adaptor	1
12	HYV03330	Handle	1

6.3 CART TIPPER WITH ROTARY ACTUATOR
6.3.3 DUAL SIDE CART TIPPERS



6.3 CART TIPPER WITH ROTARY ACTUATOR

6.3.3 DUAL SIDE CART TIPPERS

No.	Part no.	Description	Qty.
1	Serial# only	Right-hand side cart tipper assy.	1
2	Serial# only	Left-hand side cart tipper assy.	1
3	Serial# only	Hose	1
4	Serial# only	Hose	1
5	11482	Pipe	1
6	Serial# only	Adjustable flow Divider	1
6	Serial# only	Fixed flow divider (optional)	1
7	25641	Pipe	1
8	25642	Pipe	1
9	25664	Hose	1
10	25665	Hose	1
11	30416	Hose	1
12	30416	Hose	1
13	30416	Hose	1
14	25659	Pipe	1
15	25660	Pipe	1
16	HYV03505	Left-hand side cart tipper control valve	1
17	HYV03510	Right-Hand side cart tipper control valve	1
18	25649	Pipe	1
19	HYV03325	Handle adaptor	1
20	HYV03330	Handle	1
22	30416	Hose	1

