

# **BODY PARTS**

## **EXPERT 2000™**

For Expert 2000™ units equipped with optional features such as glass compartment, cart tipper or hopper chute, refer to the related section of the manual.



# BODY PARTS

## EXPERT 2000™

### Table of contents

<b>4.0</b>	<b>BODY PARTS .....</b>	<b>4 -5</b>
4.1	INTRODUCTION .....	4 -5
4.2	HOW TO ORDER .....	4 -7
4.3	HOPPER SECTION .....	4 -8
4.3.1	FLOATING PANEL .....	4 -8
4.3.2	PACKER CYLINDER PIN .....	4 -9
4.3.3	CRUSHER PANEL (Single) .....	4 -10
4.3.4	CRUSHER PANEL BUMPER .....	4 -12
4.3.5	SIDE RAIL .....	4 -13
4.3.6	SIDE RAIL SHIELD .....	4 -14
4.3.7	DOORS LOCKS .....	4 -15
4.4	PACKER .....	4 -16
4.4.1	STANDARD PACKER .....	4 -16
4.4.2	PACKER ROLLERS .....	4 -18
4.5	TAILGATE .....	4 -20
4.5.1	SINGLE TAILGATE .....	4 -20
4.5.2	TAILGATE SAFETY PROP .....	4 -22
4.5.3	SINGLE TAILGATE HINGES .....	4 -24
4.5.4	RUBBER SEAL .....	4 -25
4.6	BODY SAFETY PROP .....	4 -26
4.6.1	BODY SAFETY PROP .....	4 -26
4.6.2	PILLOW BLOCKS .....	4 -28
4.7	CLEANING TRAPS .....	4 -29



## 4.0 BODY PARTS

### 4.1 INTRODUCTION

The Parts and Maintenance manual has been created to easily identify the replacement parts of the Standard Expert 2000. This section does not cover all parts of the Expert 2000, but covers ONLY **non-structural and wear parts**. To find optional feature part numbers, refer to the following section tabs, under the option name (i.e.: comingle split body, cart tipper, automated arm, glass compartment etc.). For customized units with other special options that are not included in the present manual, call LabriePlus with the serial number of the vehicle found on the ID plate inside the cab (See [section 4.2](#)).

The body was divided into sections, where all the replacement parts (only non-structural) are illustrated and identified with part numbers. The part numbers and descriptions are located next to each illustration.

#### NOTE:

The information and specification included in this section were up to date at the time of publication. Labrie reserves the right to change, discontinue parts or modify the design without prior notice or obligations. Contact LabriePlus for updates.

Intentionally left blank

## 4.2 HOW TO ORDER

When ordering Expert 2000 parts, make sure to give the right type of vehicle, the serial number and if available, the part number and description. The serial number of the vehicle is located on the Labrie ID plates inside the cab.

U.S. ID plate

MANUFACTURED BY:		LABRIE EQUIPMENT LTD.		DATE:
LABRIE EQUIPMENT LTD.		LABRIE EQUIPMENT LTD.		
CONFORMS TO THE CHASSIS-CAB FEDERAL MOTOR VEHICLE SAFETY STANDARDS WHICH HAVE BEEN PREVIOUSLY FULLY TESTED BY THE MANUFACTURER TO MEET ALL APPLICABLE FEDERAL MOTOR VEHICLE SAFETY STANDARDS. THIS VEHICLE CONFORMS TO ALL OTHER APPLICABLE FEDERAL MOTOR VEHICLE SAFETY STANDARDS IN EFFECT AS OF THE DATE OF MANUFACTURE.				
TYPE:				

Canadian ID plate

LABRIE EQUIPMENT LTD.		LABRIE EQUIPMENT LTD.		DATE:
LABRIE EQUIPMENT LTD.		LABRIE EQUIPMENT LTD.		
CONFORME AUX NORMES DE SECURITE FEDERALE POUR LES CHASSIS-CAB. CE VEHICULE EST CONFORME A TOUTES LES NORMES DE SECURITE FEDERALE PRESCRITES EN VIGUEUR AU LA DATE DE SA FABRICATION.				
TYPE:				

# labrie *plus*

## LabriePlus

Parts, Service and Warranty  
(during business hours)

Technical Support Service  
(24 hours)

1-800-231-2771

3630 Stearns Drive  
Oshkosh, WI 54904

**Web Sites:** [www.labrieplus.com](http://www.labrieplus.com)

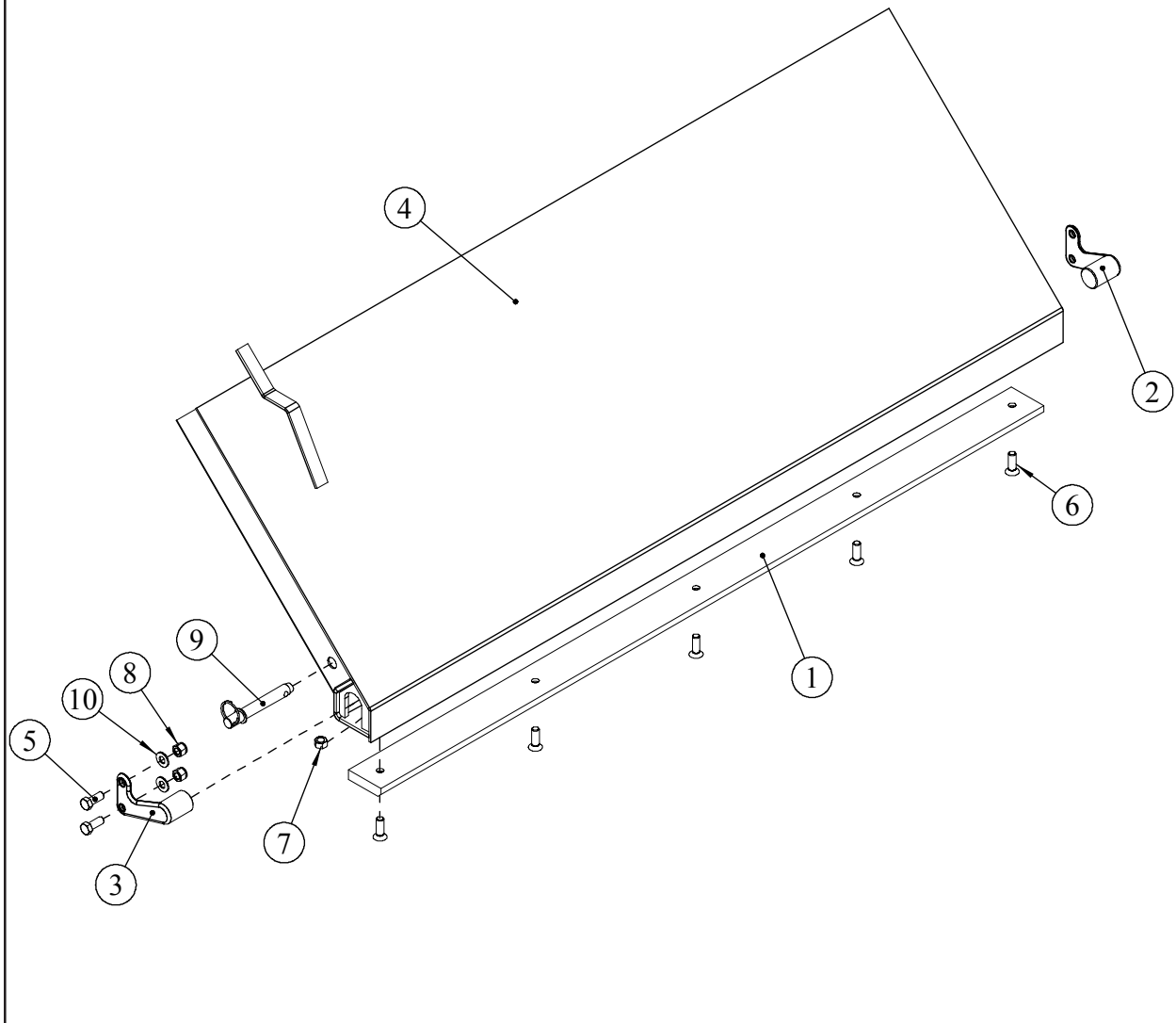
[www.labriegrup.com](http://www.labriegrup.com)

**E-mail:** [sales@labriegrup.com](mailto:sales@labriegrup.com)

## 4.3 HOPPER SECTION

### 4.3.1 FLOATING PANEL

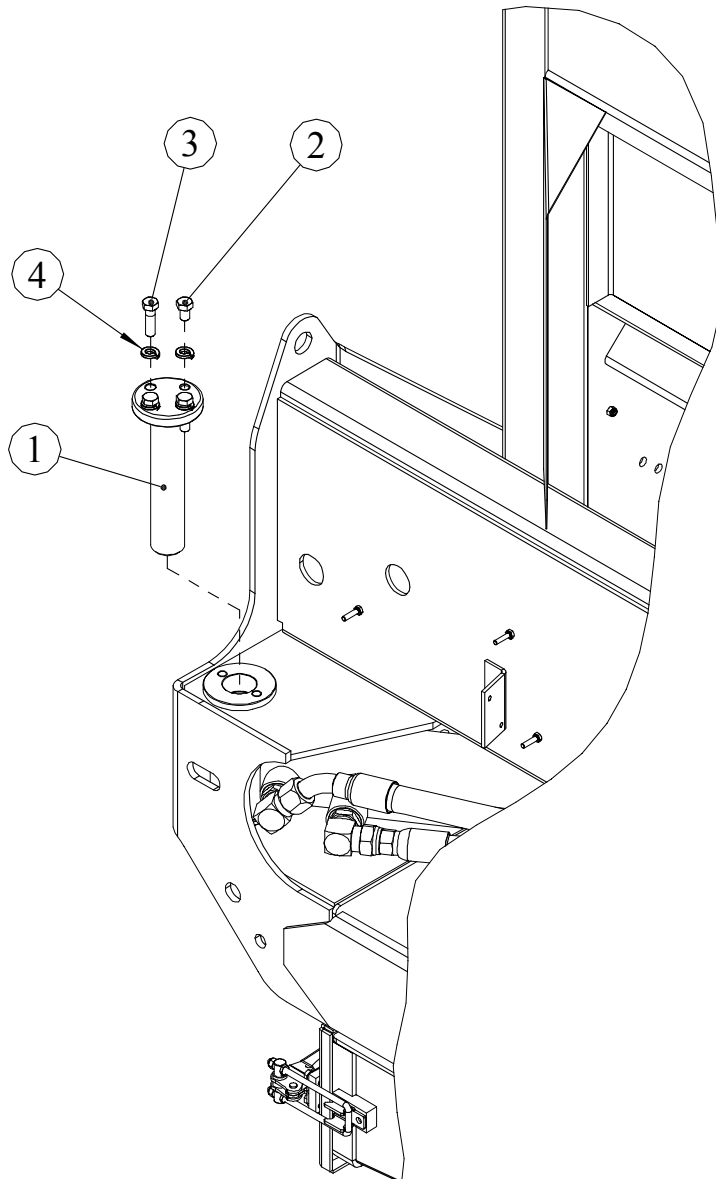
ITEM #	QTY.	PART #	DESCRIPTION
1	1	17114	WEAR PAD
2	1	60755	RIGHT SIDE PIN
3	1	60756	LEFT-SIDE PIN
4	1	CL-Z17633-A	FLOATING PANEL ASSY.
5	4	QUB04550	BOLT
6	5	QUB05800	SCREW
7	5	QUE00500	NUT
8	4	QUE01500	NUT
9	1	QUP02575	SAFETY PIN
10	4	QUR01905	WASHER



## 4.3 HOPPER SECTION

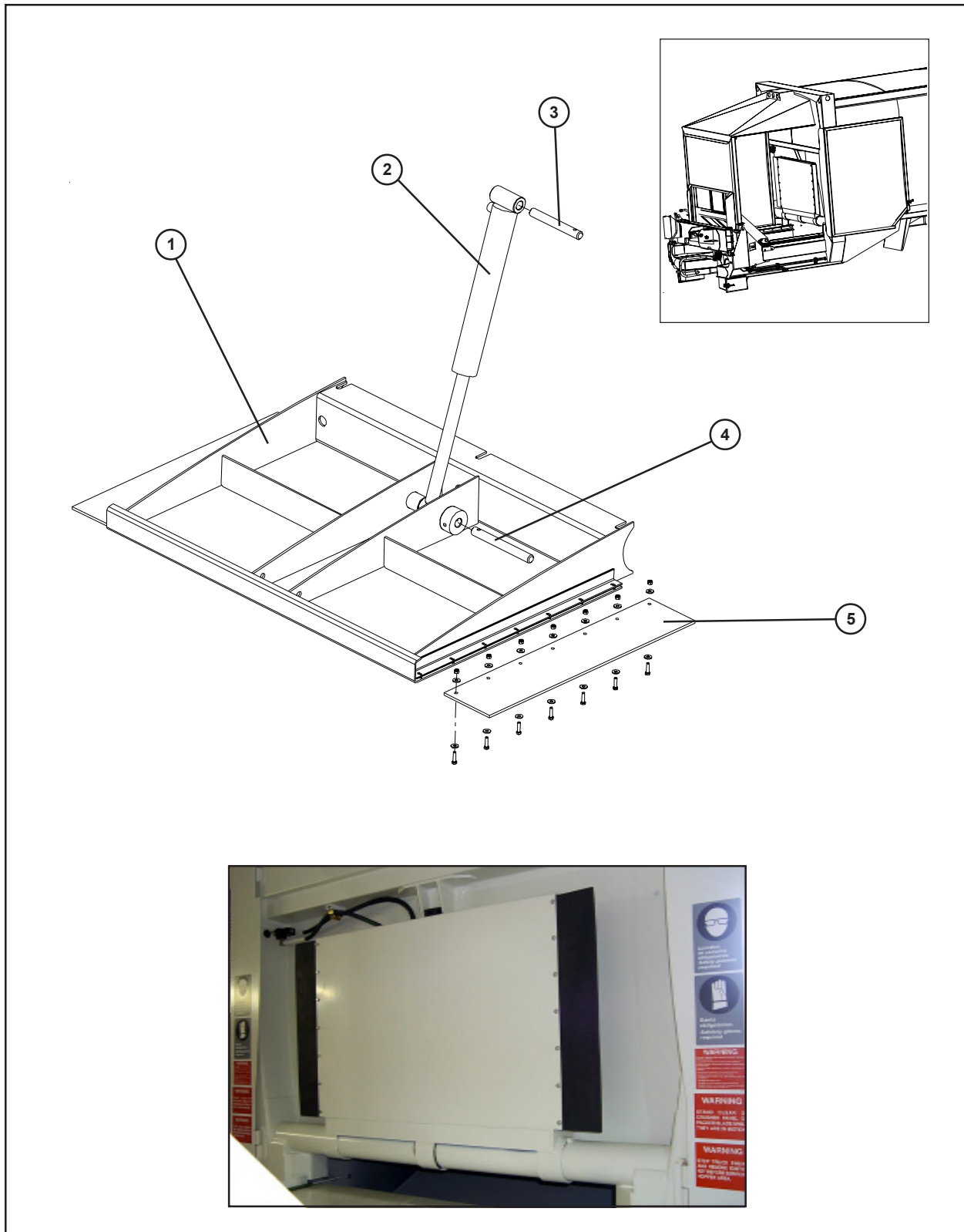
### 4.3.2 PACKER CYLINDER PIN

ITEM #	QTY.	PART #	DESCRIPTION
1	2	60770	CYLINDER FASTENING PIN
2	4	QUB04380	BOLT
3	4	QUB04600	BOLT
4	8	QUR01300	WASHER



### 4.3 HOPPER SECTION

#### 4.3.3 CRUSHER PANEL (Single)



### 4.3 HOPPER SECTION

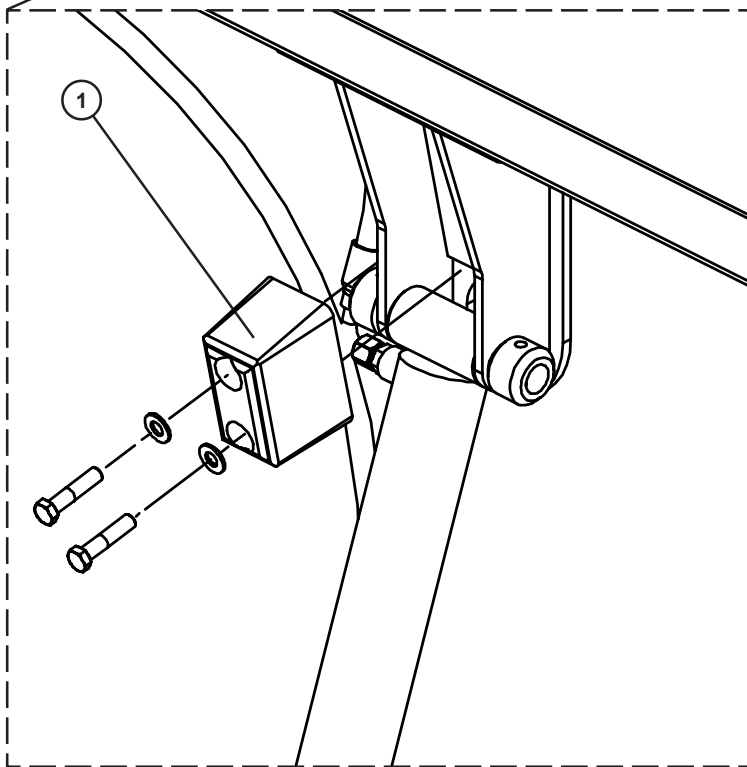
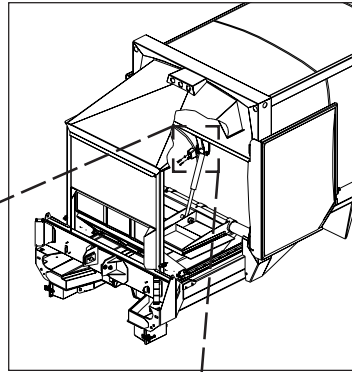
#### 4.3.3 CRUSHER PANEL (Single)

<b>NO.</b>	<b>PARTS NO.</b>	<b>DESCRIPTION</b>	<b>QTY.</b>
1	13817	STD CRUSHER PANEL .....	1
2	HYC00197	2 1/2" HYDRAULIC CYLINDER .....	1
3	10300	CRUSHER CYLINDER PIN (TOP) .....	1
4	10301	CRUSHER CYLINDER PIN (BOTTOM) .....	1
5	13821	RUBBER PLATE .....	2

### 4.3 HOPPER SECTION

#### 4.3.4 CRUSHER PANEL BUMPER

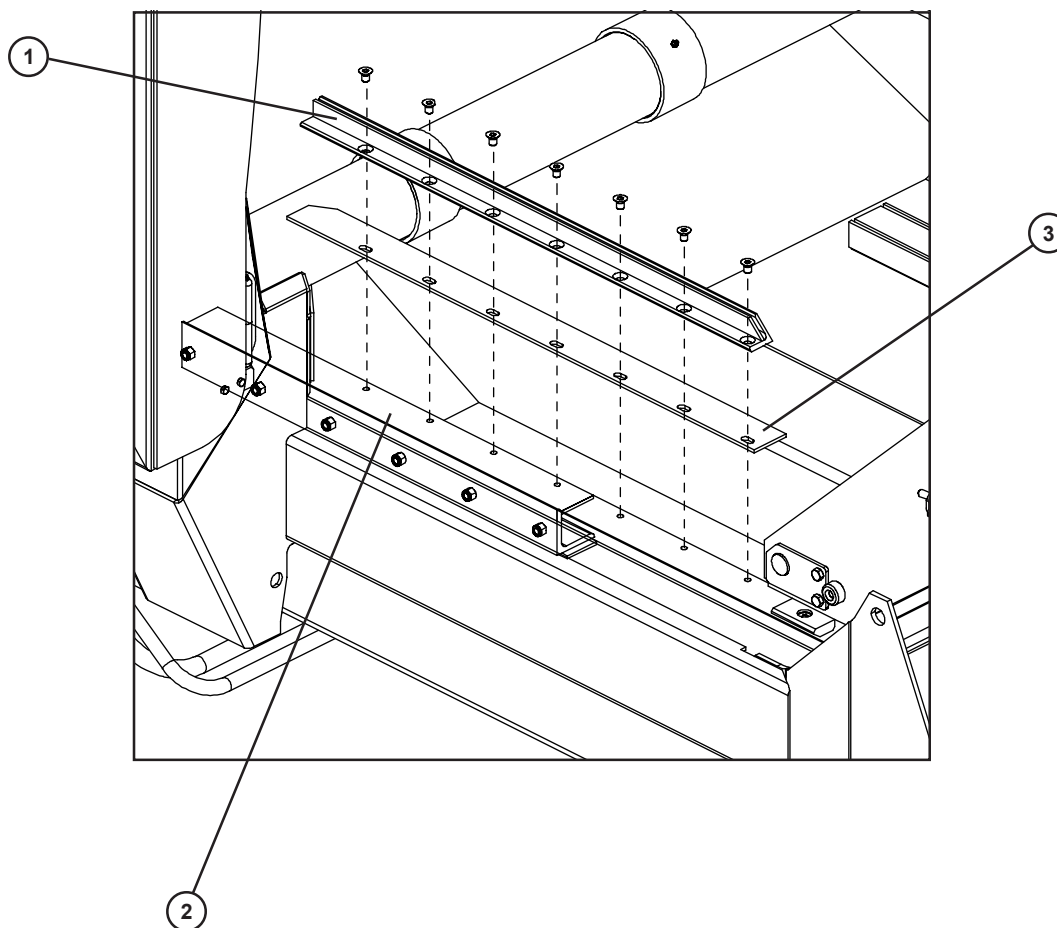
NO.	PARTS NO.	DESCRIPTION	QTY.
1	QUC00060	RUBBER BUMPER..... 1	1



## 4.3 HOPPER SECTION

### 4.3.5 SIDE RAIL

NO.	PARTS NO.	DESCRIPTION	QTY.
1	20354	RIGHT-HAND SHIELD RAIL .....	1
	20351	LEFT-HAND SHIELD RAIL .....	1
2	11570	RIGHT-HAND RAIL .....	1
	11571	LEFT-HAND RAIL .....	1
3	10291	PLASTIC GUARD .....	2



### 4.3 HOPPER SECTION

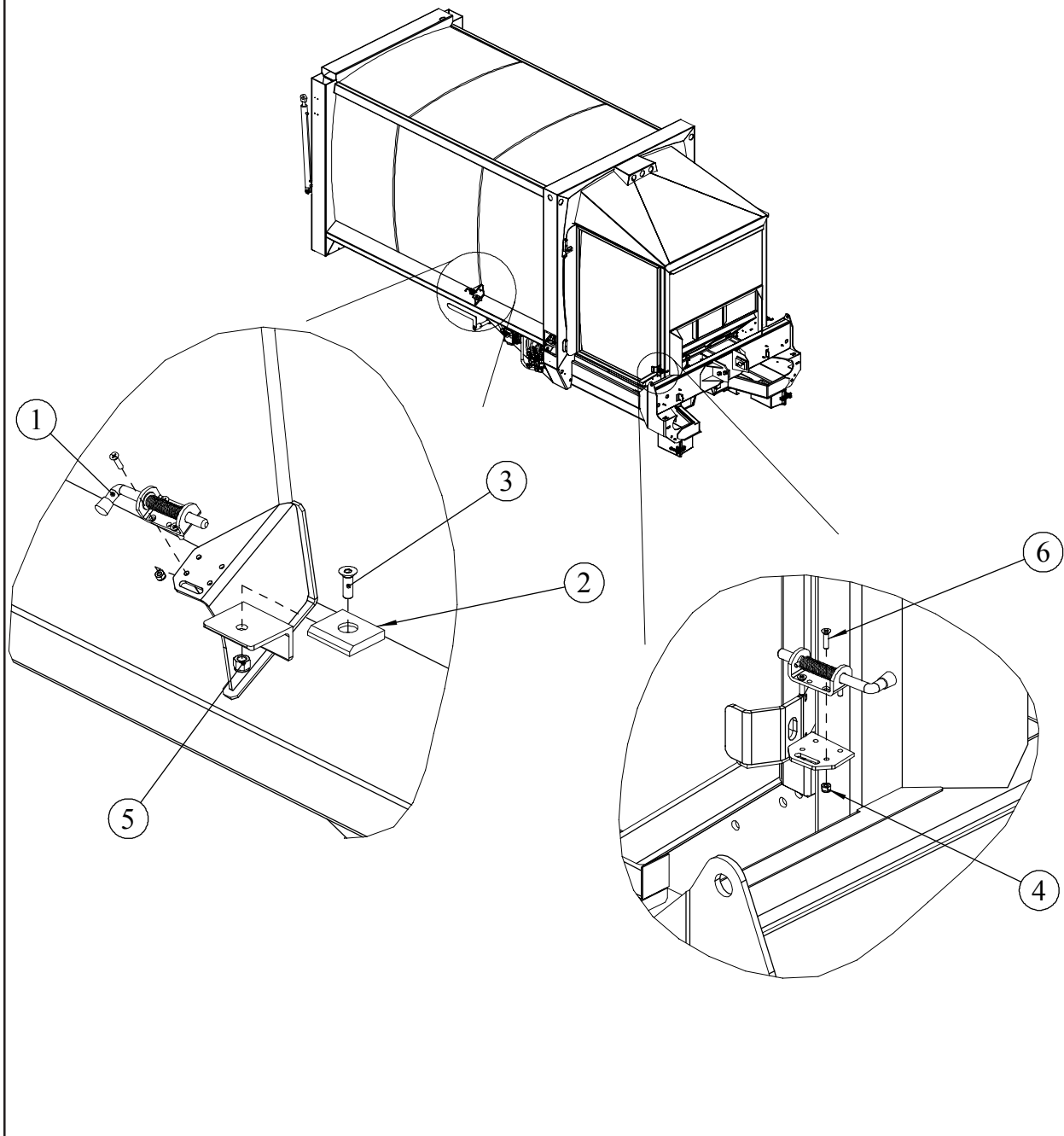
#### 4.3.6 SIDE RAIL SHIELD

NO.	PARTS NO.	DESCRIPTION	QTY.
1	11700	SHIELD w/o CART TIPPER .....	1
	36930	SHIELD w/ CART TIPPER .....	1

## 4.3 HOPPER SECTION

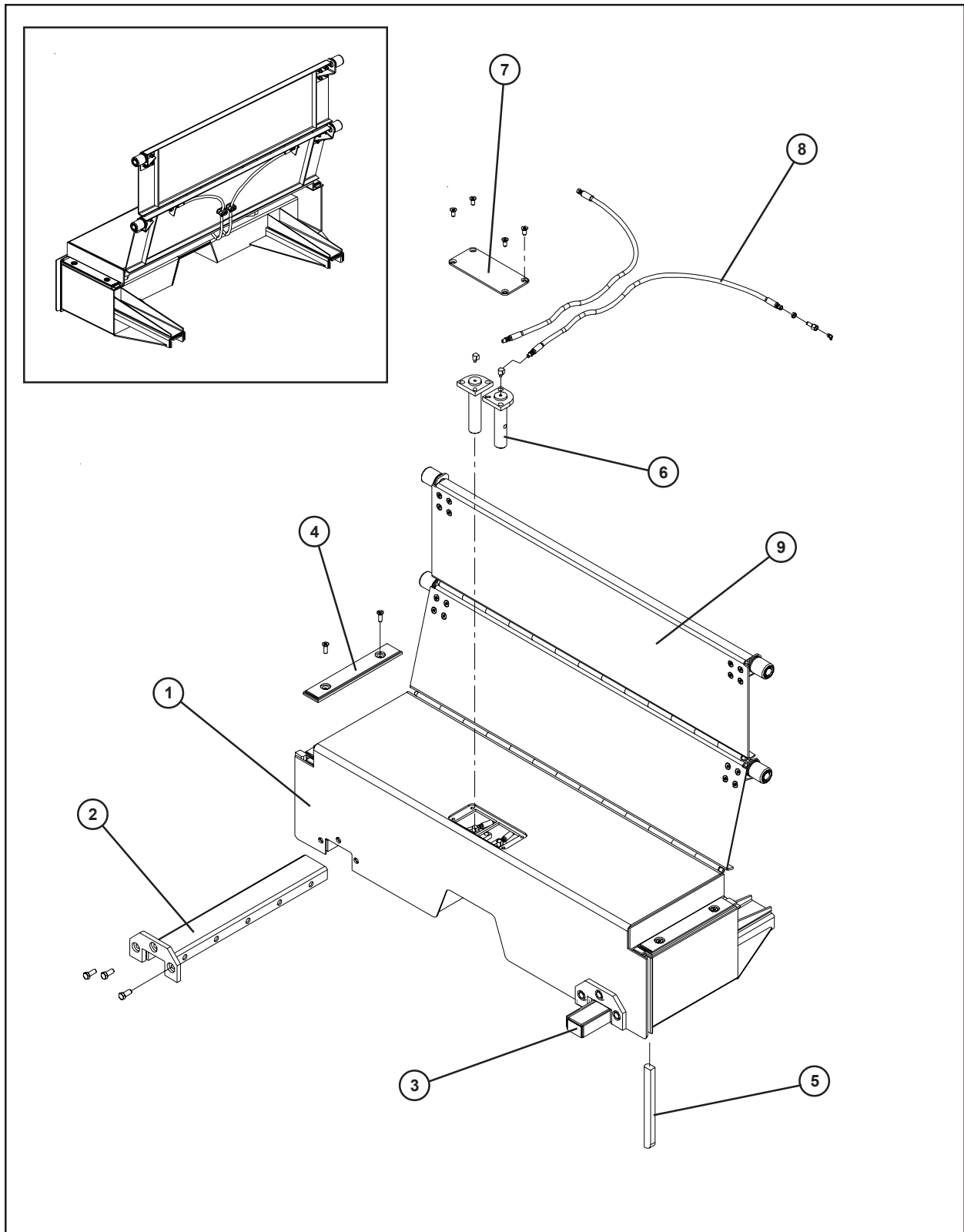
### 4.3.7 DOORS LOCKS

ITEM #	QTY.	PART #	DESCRIPTION
1	2	50868	SPRING LOCK
2	2	CL-11890-D	NYLOIL PAD
3	2	QUB05800	SCREW
4	16	QUE01100	NUT
5	6	QUE01500	NUT
6	16	QUV02220	SCREW



## 4.4 PACKER

### 4.4.1 STANDARD PACKER



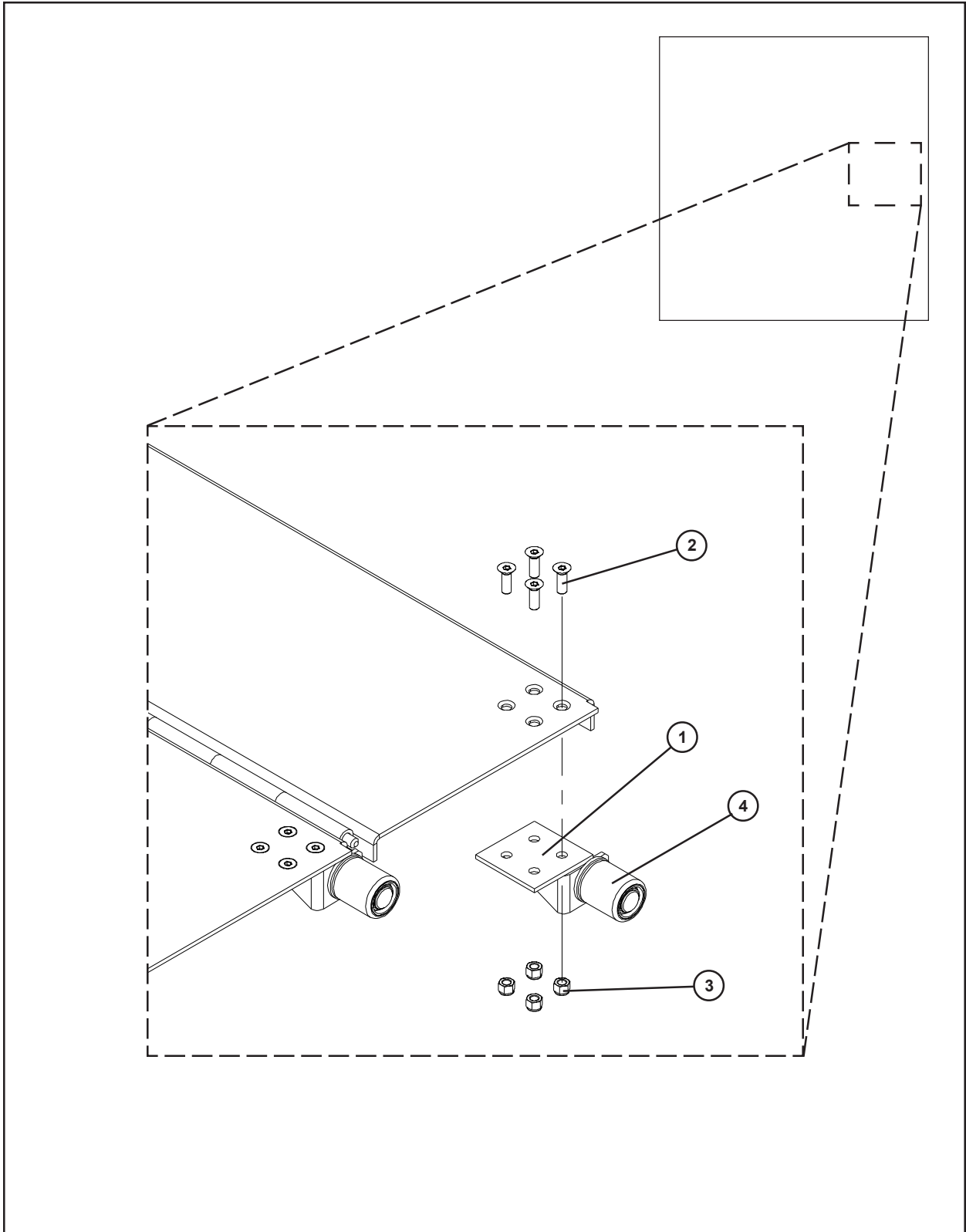
## 4.4 PACKER

### 4.4.1 STANDARD PACKER

NO.	PARTS NO.	DESCRIPTION	QTY.
1	43451	PACKER BLADE ASSY .....	1
2	9970	PACKER SLIDING SHOE .....	2
3	9978	FLOOR GUIDE .....	2
4	11577	WEAR PLATE ASSEMBLY .....	2
5	10490	WIPER .....	2
6	60754	CYLINDER PIN .....	2
7	20436	TRAP COVER .....	1
8	16045	GREASING HOSE .....	2
9	64183	FOLLOWER PANEL ASSY .....	1

## 4.4 PACKER

### 4.4.2 PACKER ROLLERS



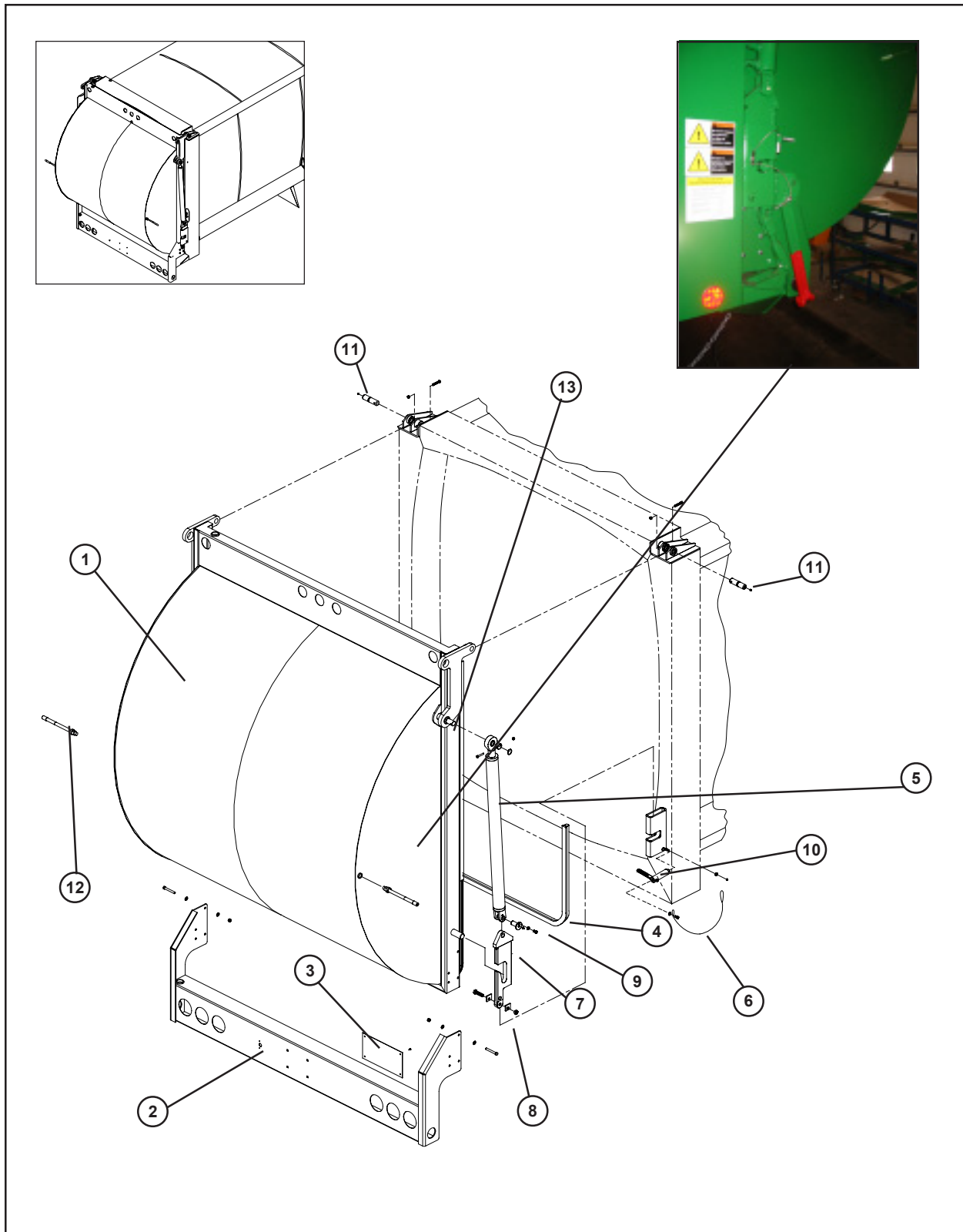
## 4.4 PACKER

### 4.4.2 PACKER ROLLERS

NO.	PARTS NO.	DESCRIPTION	QTY.
1	60777	RIGHT-HAND SIDE ROLLER BRACKET ASSY. ....	2
	60780	LEFT-HAND SIDE ROLLER BRACKET ASSY. ....	2
2	QUB05800	SCREW .....	16
3	QUE01500	NYLON LOCK NUT .....	16
4	14865	ROLLER .....	4

## 4.5 TAILGATE

### 4.5.1 SINGLE TAILGATE



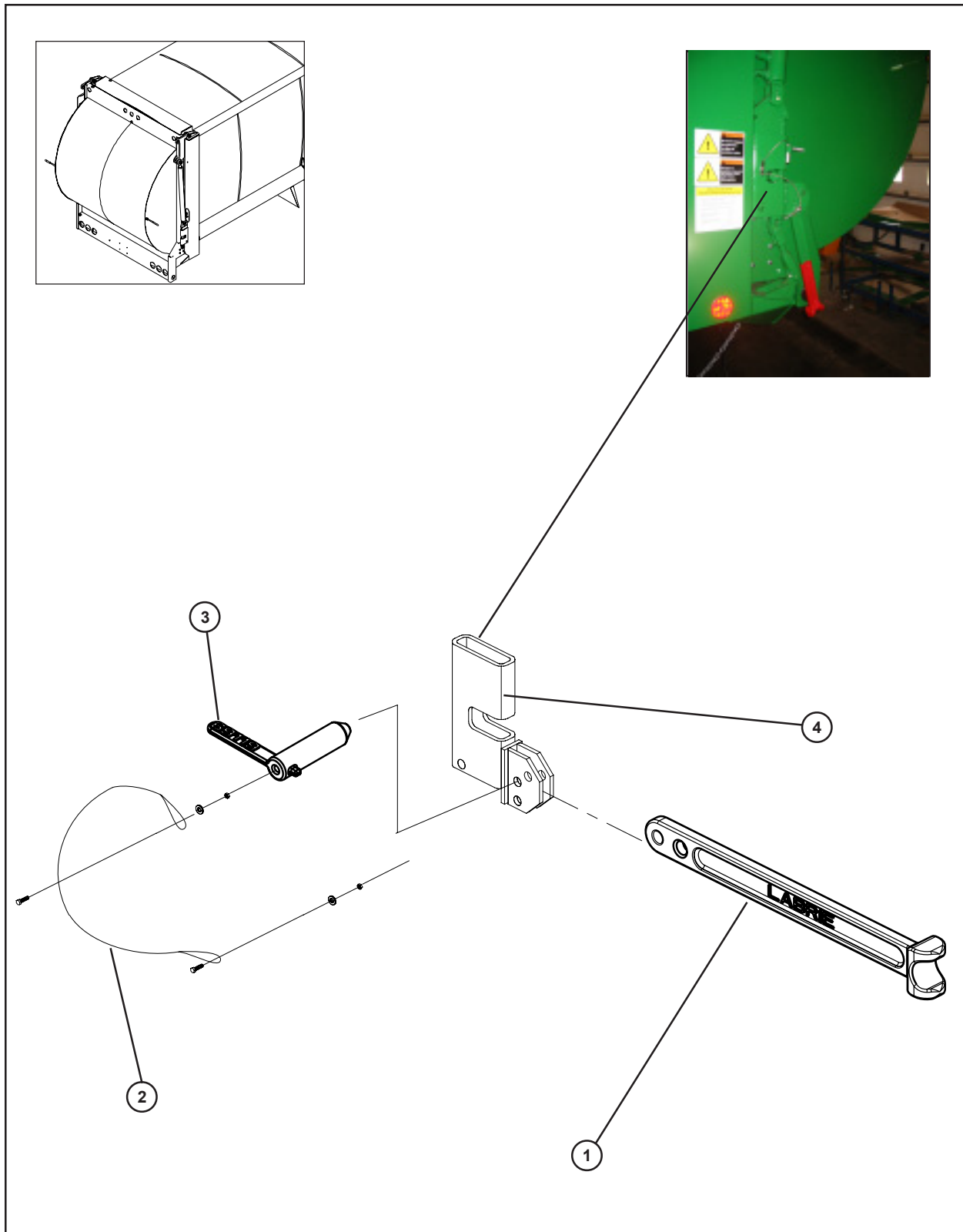
## 4.5 TAILGATE

### 4.5.1 SINGLE TAILGATE

NO.	PARTS NO.	DESCRIPTION	QTY.
1	52998	TAILGATE (2 cu.yd.) .....	1
2	52973	BUMPER .....	1
3	32994	ACCESS TRAP COVER .....	1
4	CIC01950	RUBBER SEAL .....	1
5	HYC00321	TAILGATE CYLINDER .....	2
6	QUE11000	SLING .....	2
7	60785	SLIDING LOCK .....	2
8	26885	STOPPER .....	4
9	60783	CYLINDER LOWER PIN .....	2
10	69119	LOCK PIN .....	2
11	10093	HINGE PIN .....	2
12	48408	MARKER .....	29
13	10052	CYLINDER UPPER PIN .....	2

## 4.5 TAILGATE

### 4.5.2 TAILGATE SAFETY PROP



## 4.5 TAILGATE

### 4.5.2 TAILGATE SAFETY PROP

NO.	PARTS NO.	DESCRIPTION	QTY.
1	60761	TAILGATE SAFETY PROP .....	1
2	QUE11000	SLING .....	2
3	69119	LOCK PIN .....	2
4	10095	LOCKING MECHANISM.....	2

## 4.5 TAILGATE

### 4.5.3 SINGLE TAILGATE HINGES

NO.	PARTS NO.	DESCRIPTION	QTY.
1	13748	RIGHT-HAND SIDE HINGE ASSY. .... 1	1
1	13749	LEFT-HAND SIDE HINGE ASSY. .... 1	1
2	10093	PIN ..... 2	2

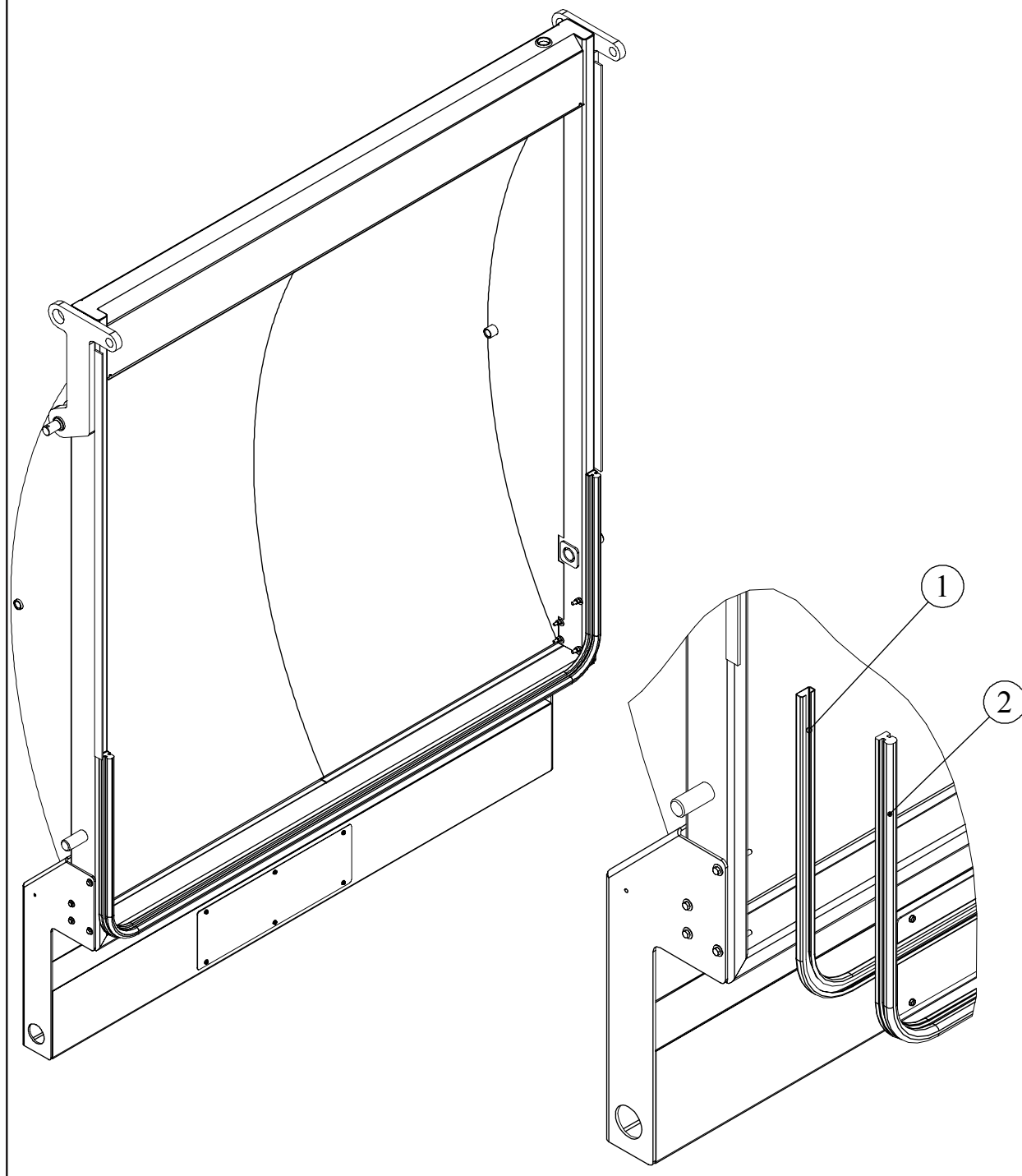
  

The diagrams illustrate the installation of the tailgate hinges. The top-left view shows the tailgate with the hinge assembly highlighted. The top-right view is a close-up of the hinge assembly. The bottom view shows the hinge assembly being installed onto the tailgate, with callouts 1 and 2 pointing to the hinge assembly and a pin respectively.

## 4.5 TAILGATE

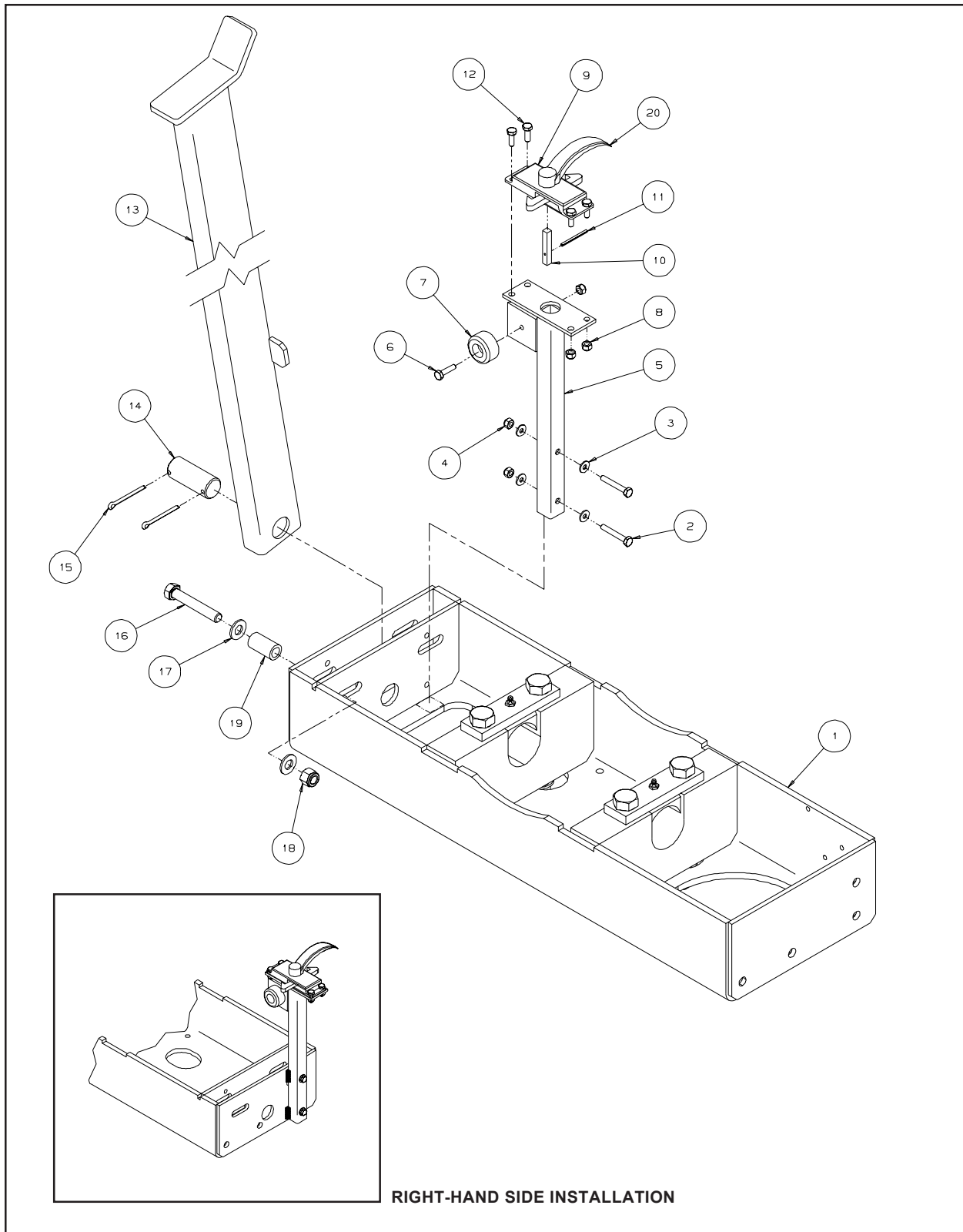
### 4.5.4 RUBBER SEAL

ITEM #	QTY.	PART #	DESCRIPTION
1	1	10154	SEAL RAIL
2	1	CIC01950	RUBBER SEAL



## 4.6 BODY SAFETY PROP

### 4.6.1 BODY SAFETY PROP



## 4.6 BODY SAFETY PROP

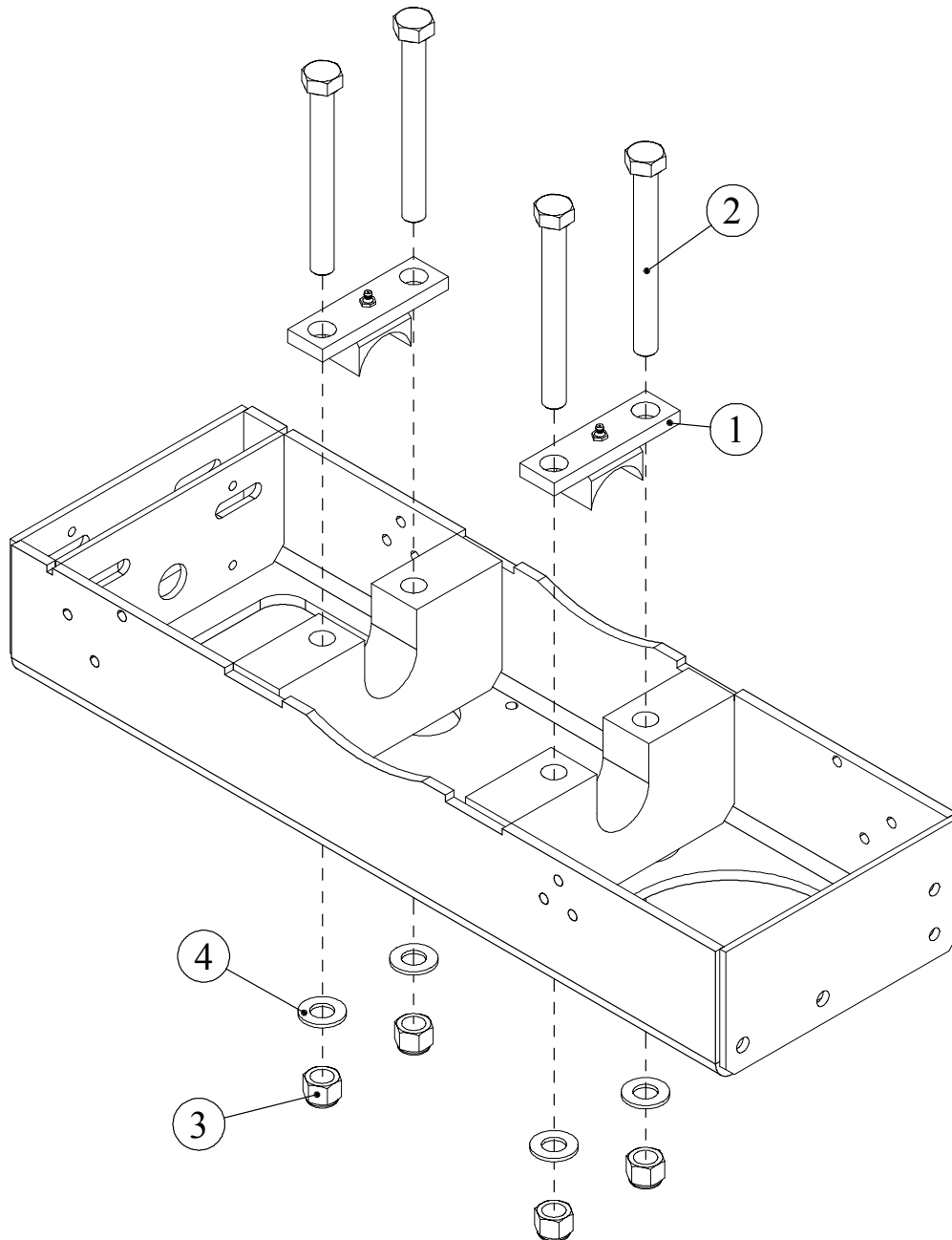
### 4.6.1 BODY SAFETY PROP

NO.	PARTS NO.	DESCRIPTION	QTY.
1	25167	HOIST BASE ASSY. ....	1
2	QUB02250	BOLT .....	2
3	QUR01700	WASHER .....	4
4	QUE01100	NUT .....	3
5	26776	LOCK SUPPORT ASSY. ....	1
6	QUB02100	BOLT .....	1
7	QUB01300	BOLT .....	1
8	QUE01150	NUT .....	4
9	QUP00820	HANDLE .....	1
10	26775	HANDLE SHAFT .....	1
11	QUP03200	LOCK PIN .....	1
12	QUB02000	BOLT .....	4
13	26767	BODY SAFETY PROP ASSY. ....	1
14	26768	PIVOT .....	1
15	QUP03605	COTTER PIN .....	2
16	QUB04825	BOLT .....	1
17	QUR01905	WASHER .....	2
18	QUE01500	NUT .....	1
19	26772	SPACER .....	1
20	QUP00200	HANDLE .....	1

## 4.6 BODY SAFETY PROP

### 4.6.2 PILLOW BLOCKS

ITEM #	QTY.	PART #	DESCRIPTION
1	2	37374	PILLOW BLOCK
2	4	QUB06560	BOLT
3	4	QUE01810	NYLON PELLET NUT
4	4	QUR02000	WASHER



## 4.7 CLEANING TRAPS

ITEM #	QTY.	PART #	DESCRIPTION
1	1	CL-10719-A	CLEANING TRAP
2	1	FL-10367-D	TRAP SEAL
3	4	QUB02600	BOLT
4	1	QUC01210	HANDLE
5	1	QUG00150	GREASE PORT
6	4	QUR01270	WASHER

