



**CAB CONVERSION
PARTS MANUAL
FOR INTERNATIONAL CHASSIS**

CAB CONVERSION PARTS MANUAL FOR INTERNATIONAL CHASSIS

Table of Content

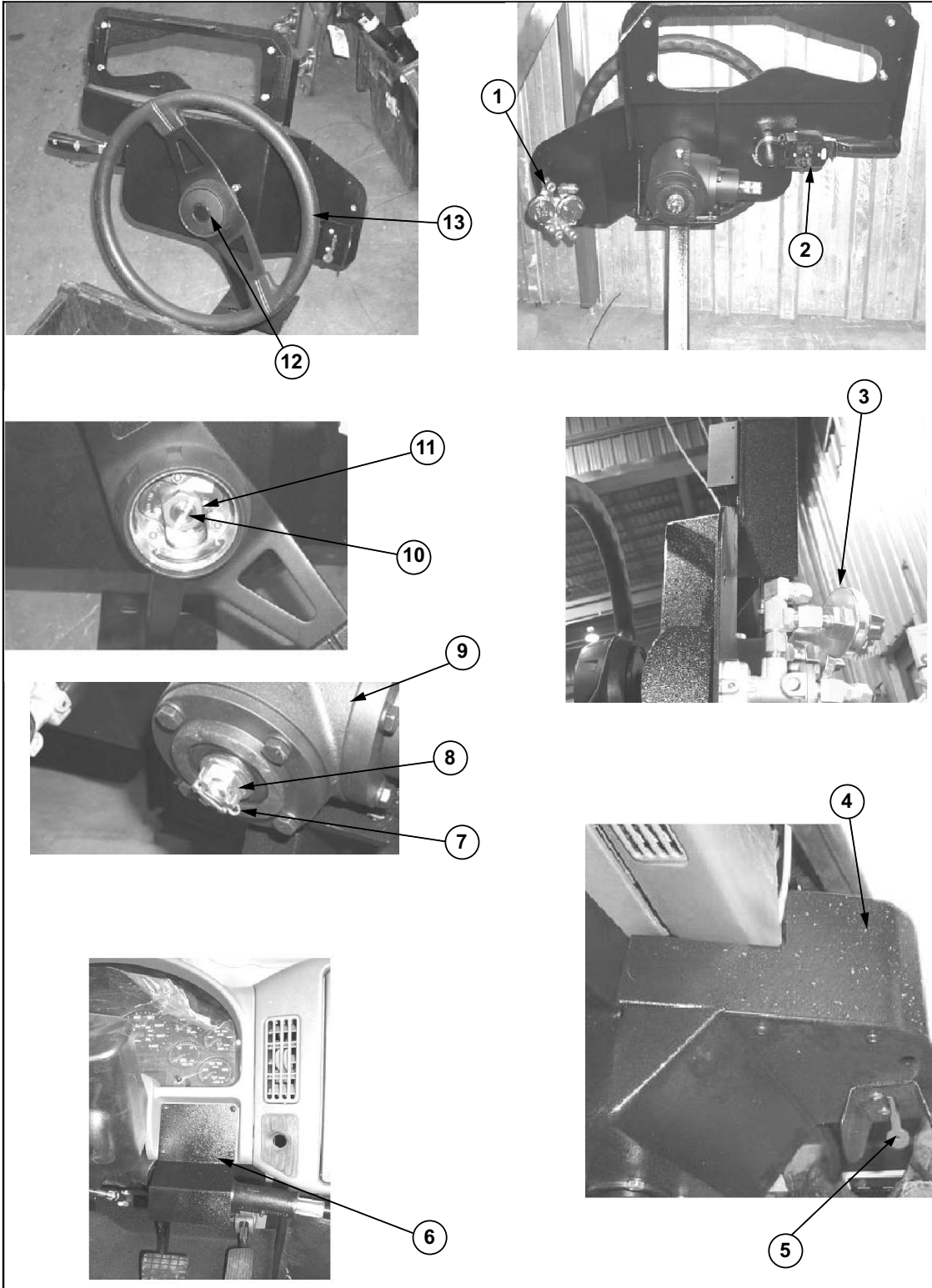
9.1.1	RIGHT-HAND SIDE STAND UP DRIVE	6
	NOMENCLATURE	7
9.1.2	BACKREST	8
9.1.3	RIGHT DASHBOARD	9
9.1.4	FOLDING SEAT	10
9.1.5	SLIDING SEAT	11
9.1.6A	PEDAL COVER	12
9.1.6B	PEDAL COVER	13
9.1.7A	SLIP RESISTANT PLATFORM	14
9.1.7B	SLIP RESISTANT PLATFORM	15
9.1.7C	SLIP RESISTANT PLATFORM	16
9.1.7D	ANTI FATIGUE MAT	17
9.1.7E	SLIP RESISTANT PLATFORM/DEAD MAN BRAKE	18
9.1.8	BELTS	19
9.1.9	WIPER	20

CAB CONVERSION PARTS MANUAL FOR INTERNATIONAL CHASSIS

Table of Content

9.1.10 LEFT AND RIGHT DOORS	22
NOMENCLATURE	23
9.1.11A HEATING PLATFORM	24
9.1.11B FOOT WARMER	25
9.1.11C FOOT/GLOVE WARMER.....	26
NOMENCLATURE	27

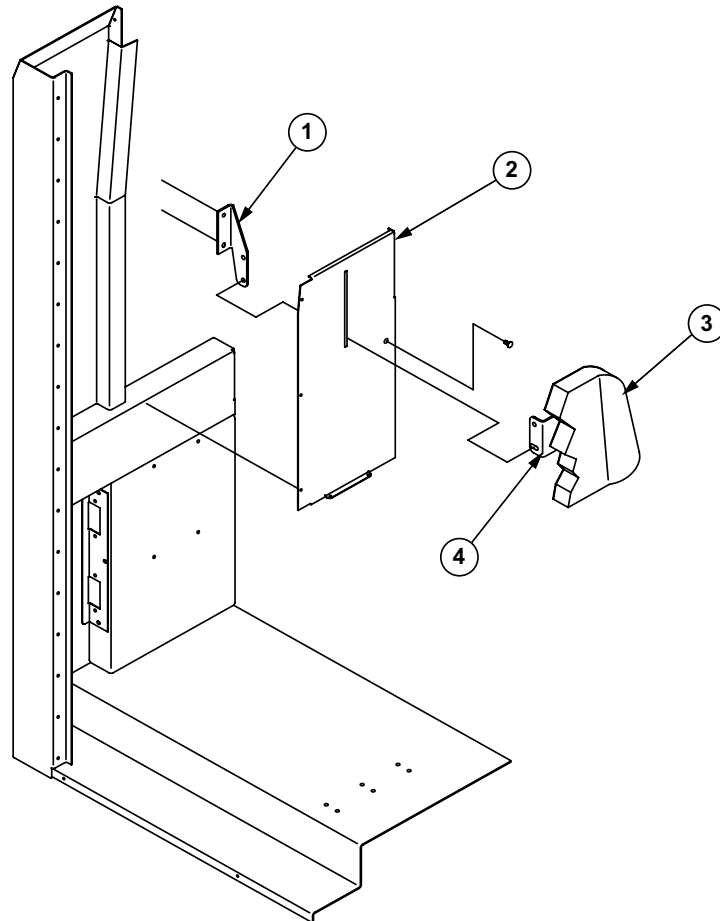
RIGHT HAND SIDE STAND UP DRIVE



RIGHT HAND SIDE STAND UP DRIVE

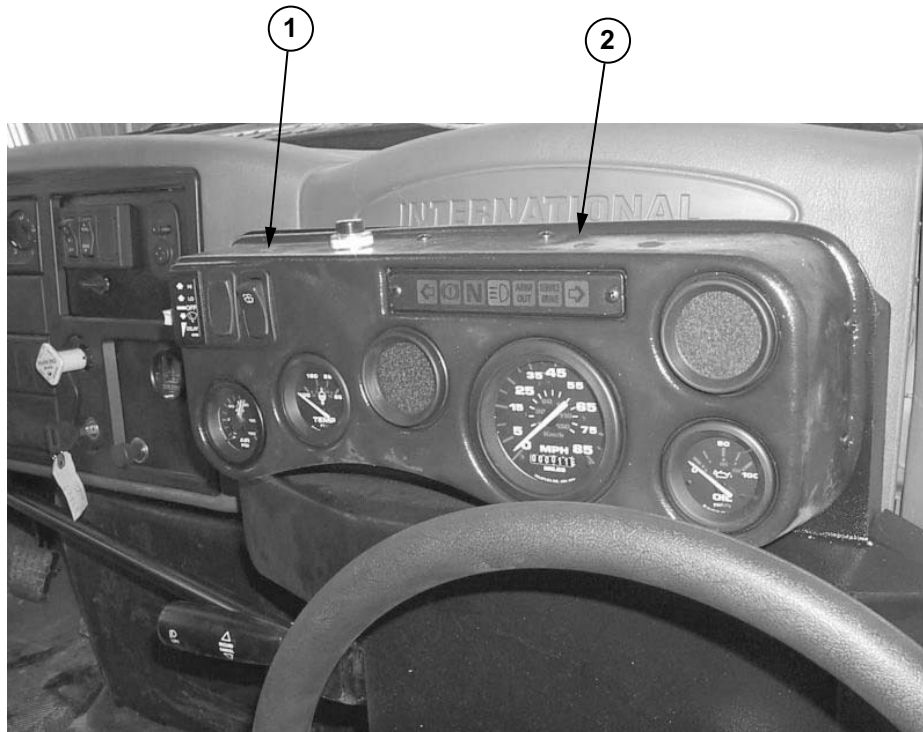
REF. NO.	PART NO.	DESCRIPTION	QTY.
1	Z39395		1
2	45132		1
3	Z39395		1
4	39880		1
5	PMV02700		1
6	39948		1
7	QUP0330		1
8	QUE03800		1
9	CIE02612		1
10	39861		1
11	CIE00200		1
12	CIC00150		1
13	CIV00405		1

BACKREST



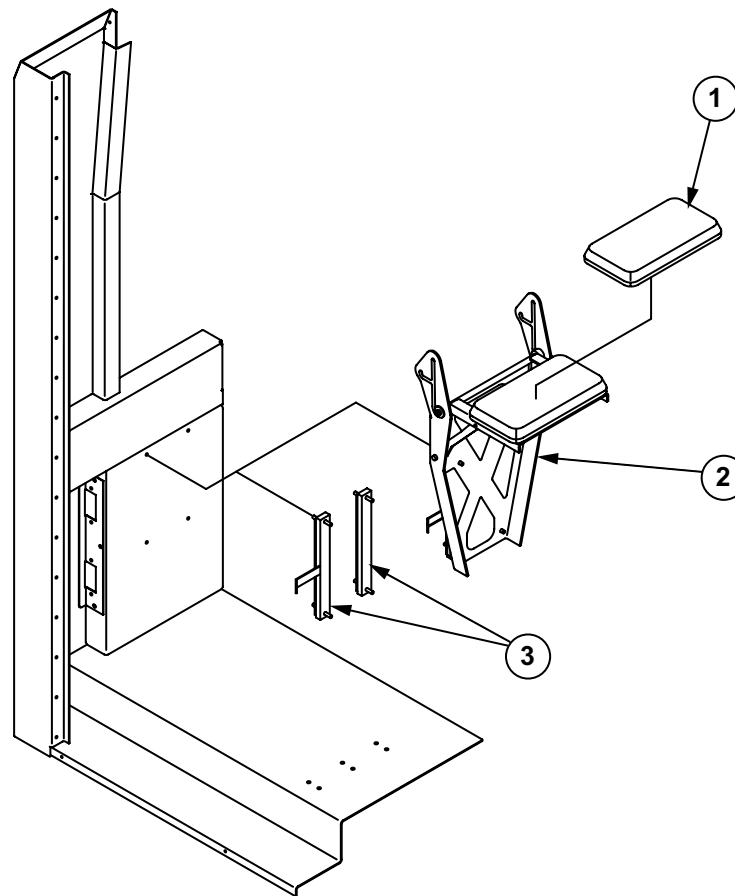
REF. NO.	PART NO.	DESCRIPTION	QTY.
1	39854		1
2	39853		1
3	CIS00600		1
4	39856		1

RIGHT DASHBOARD



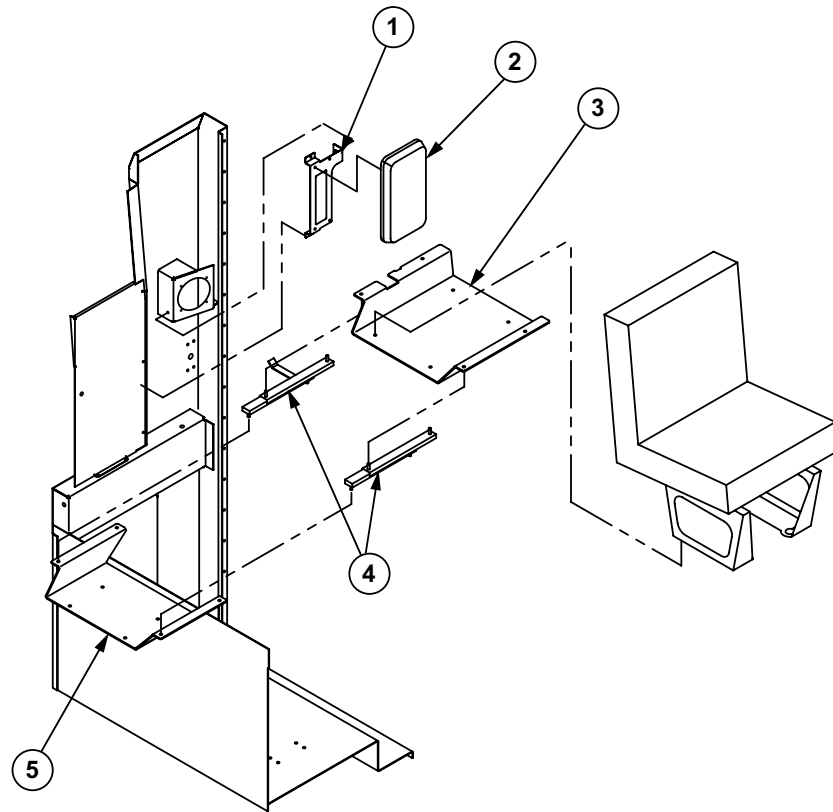
REF. NO.	PART NO.	DESCRIPTION	QTY.
1	CIT02000		1
2	37752-01		1
	37751		1

FOLDING SEAT



REF. NO.	PART NO.	DESCRIPTION	QTY.
1	40337		1
2	40344		1
3	CIS01165		1

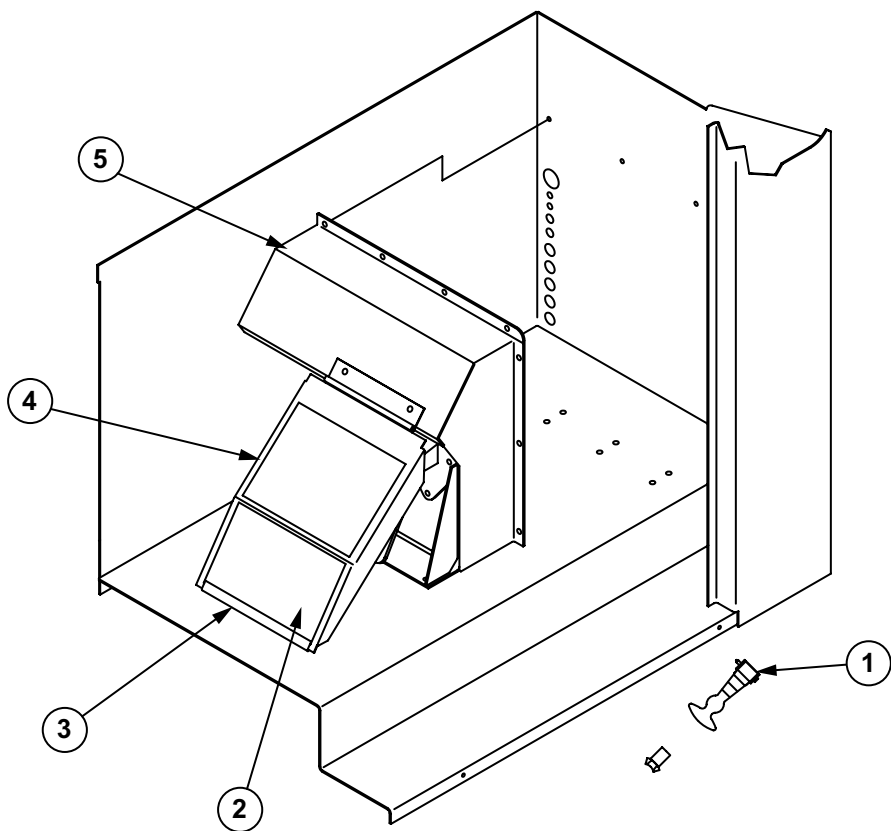
SLIDING SEAT



REF. NO.	PART NO.	DESCRIPTION	QTY.
1	48341		1
2	40337		1
3	48322		1
4	CIS01165		2
5	48323		1

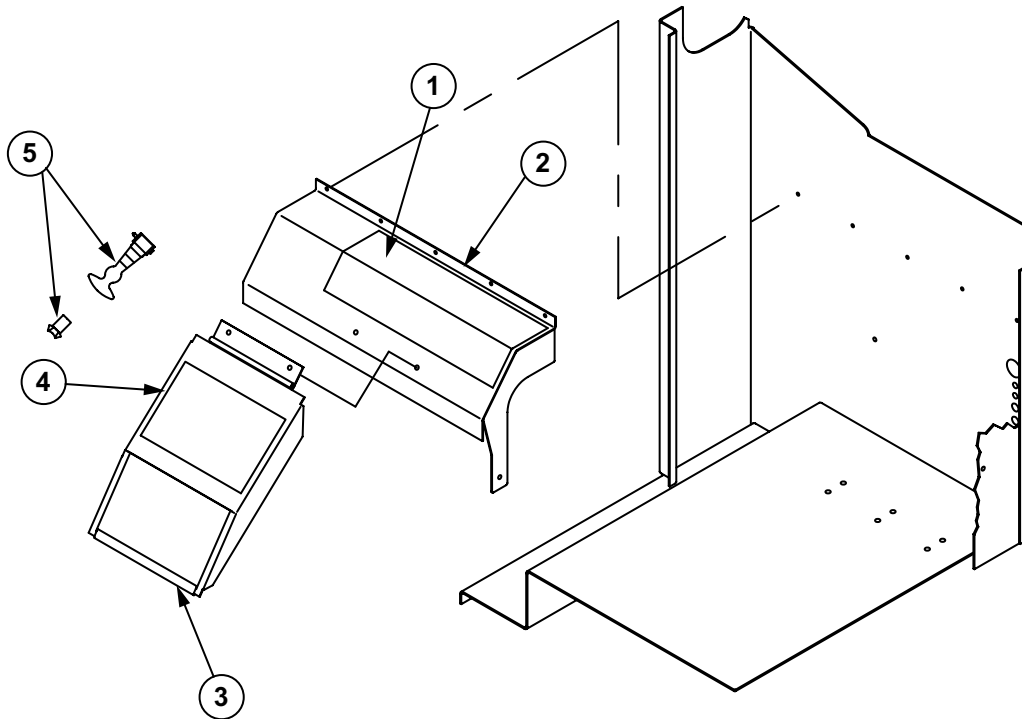
SECTION 9.1.6A

PEDAL COVER



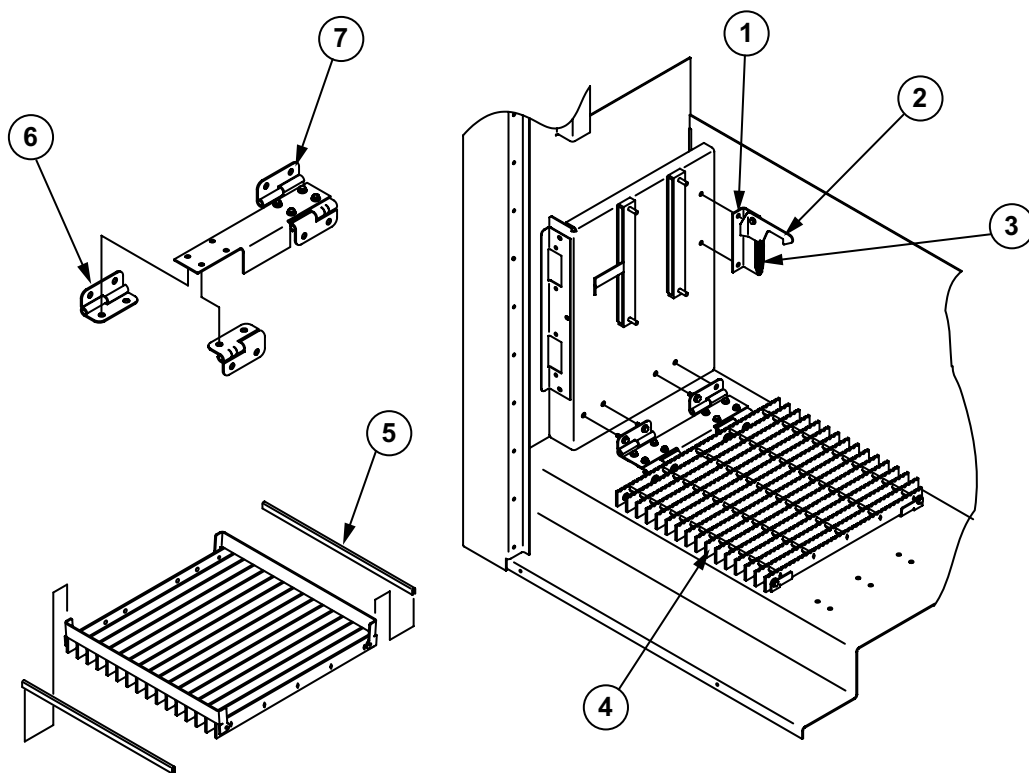
REF. NO.	PART NO.	DESCRIPTION	QTY.
1	QUP01450		1
2	QUB52000		1
3	QUC02000		1
4	24907		1
5	22262		1

PEDAL COVER



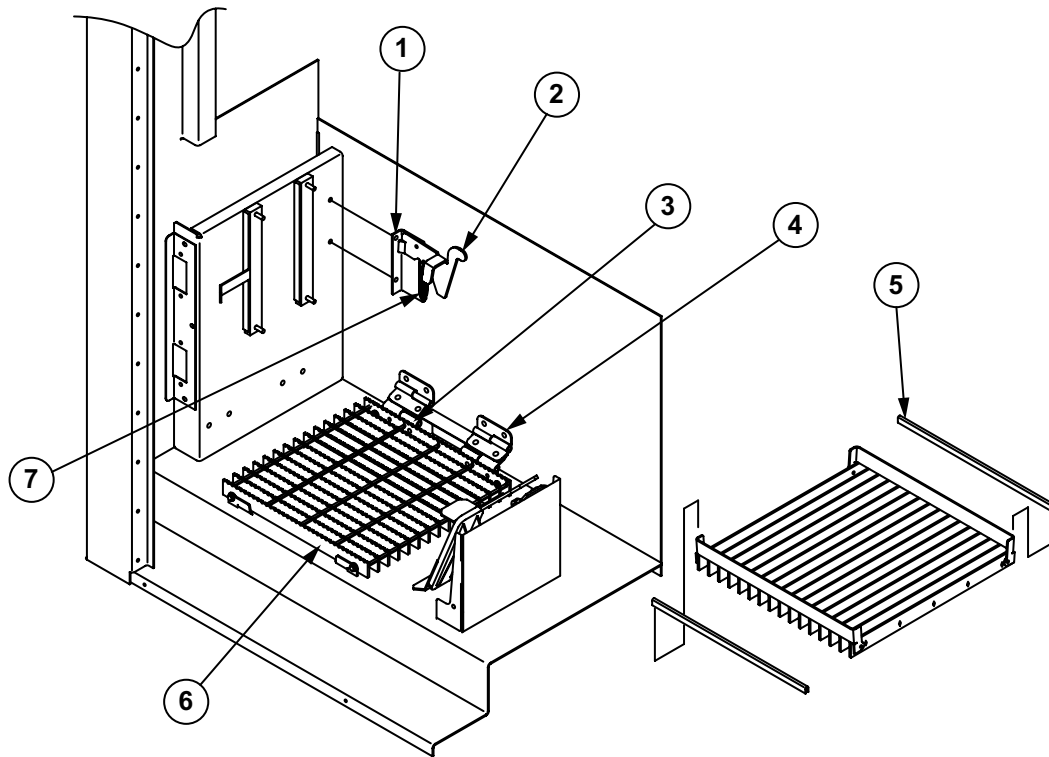
REF. NO.	PART NO.	DESCRIPTION	QTY.
1	QUB52000		1
2	60211		1
3	QUC02000		1
4	24907		1
5	QUP01450		1

SLIP RESISTANT PLATFORM



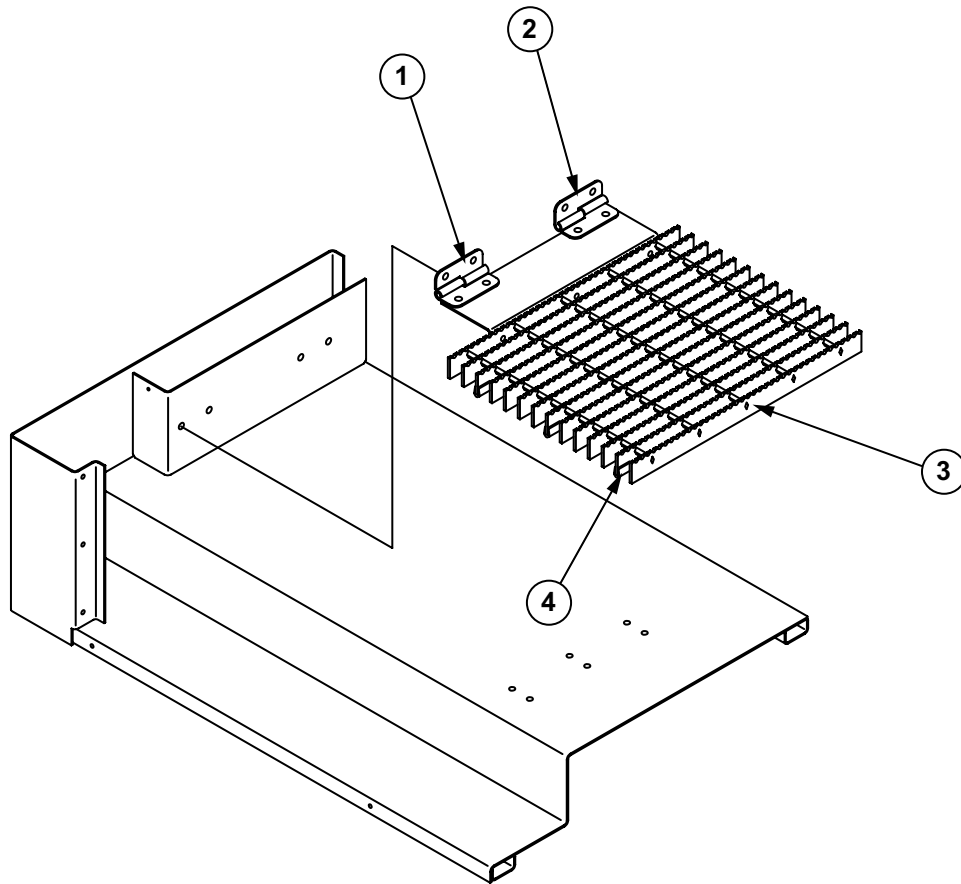
REF. NO.	PART NO.	DESCRIPTION	QTY.
1	60062		2
2	60061		2
3	QUR03158		2
4	60058		1
	60063		1
5	QUC02000		2
6	QUP05950		2
7	QUP05951		2

SLIP RESISTANT PLATFORM



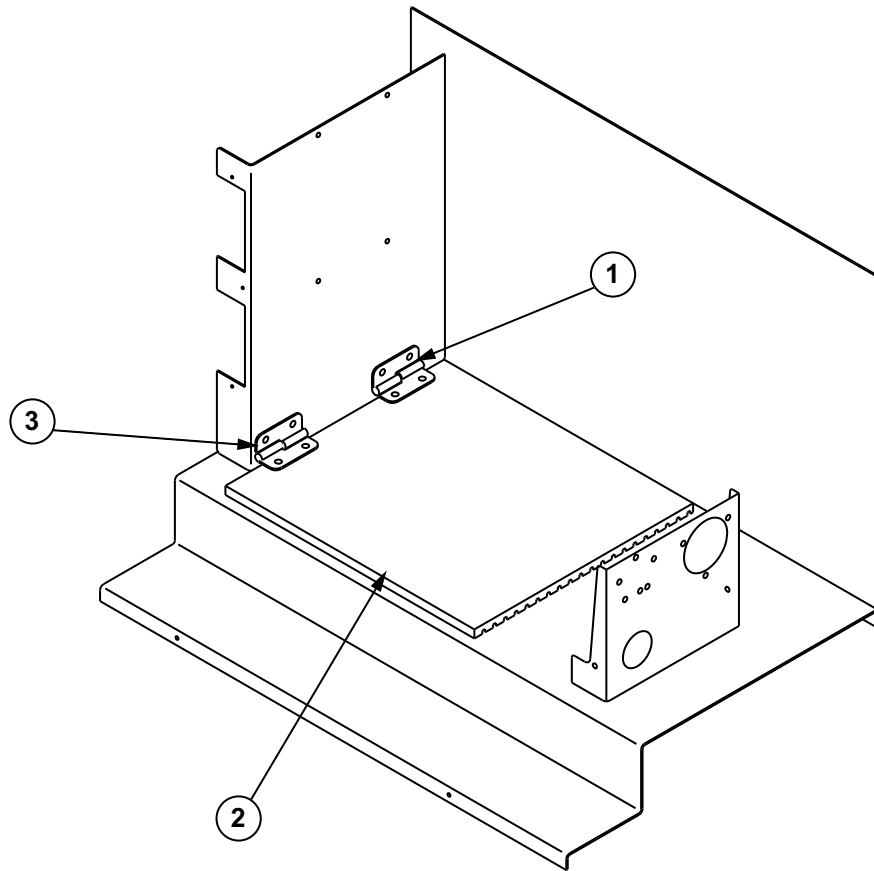
REF. NO.	PART NO.	DESCRIPTION	QTY.
1	60062		1
2	72371		1
3	QUP05950		2
4	QUP05951		2
5	QUC02000		2
6	72374		1
7	QUR03158		1

SLIP RESISTANT PLATFORM



REF. NO.	PART NO.	DESCRIPTION	QTY.
1	QUP05950		1
2	QUP05951		1
3	48330		1
	48332		1
4	QUC02000		2

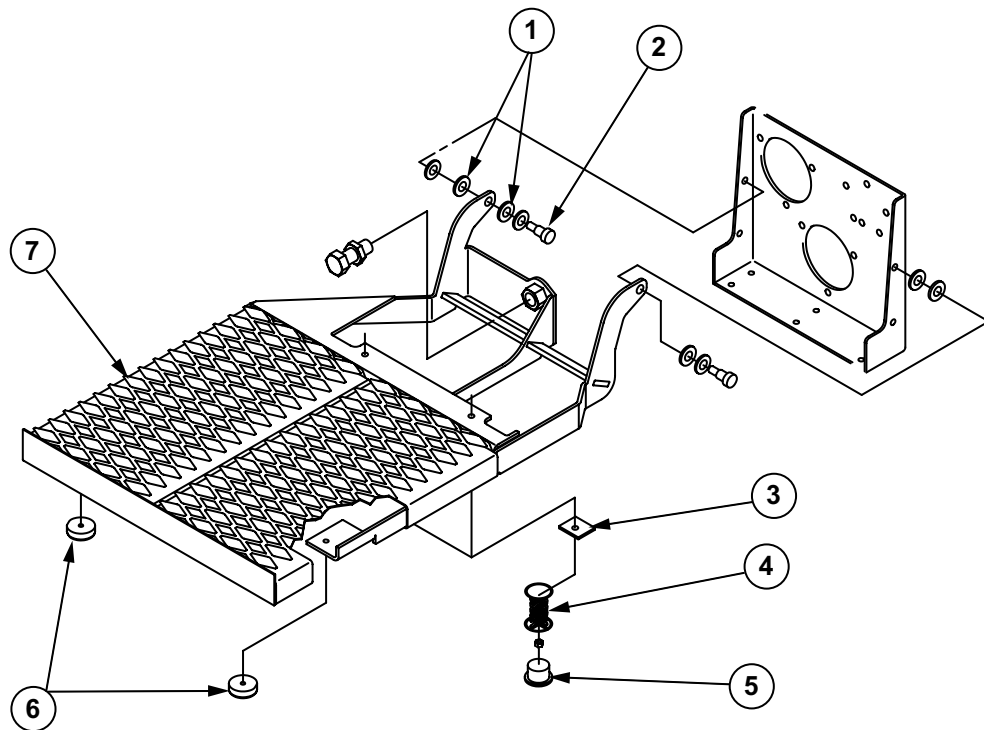
ANTI FATIGUE MAT



REF. NO.	PART NO.	DESCRIPTION	QTY.
1	QUP05951		1
2	48476		1
3	QUP05950		1

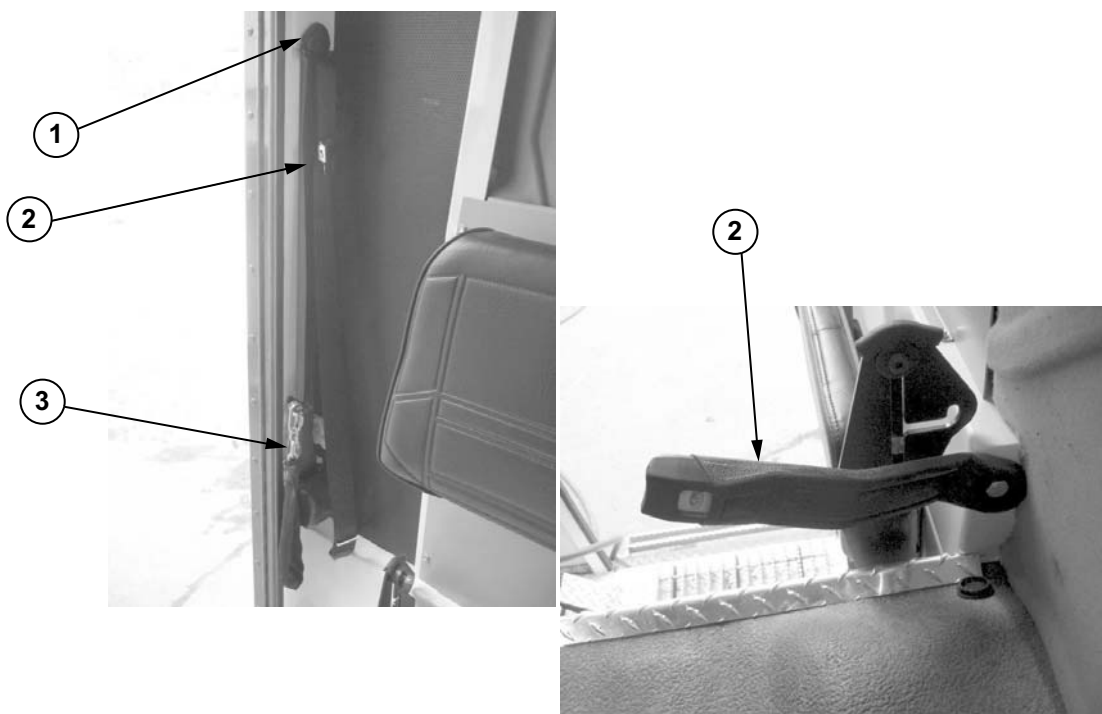
SECTION 9.1.7E

SLIP RESISTANT PLATFORM/DEAD MAN BRAKE



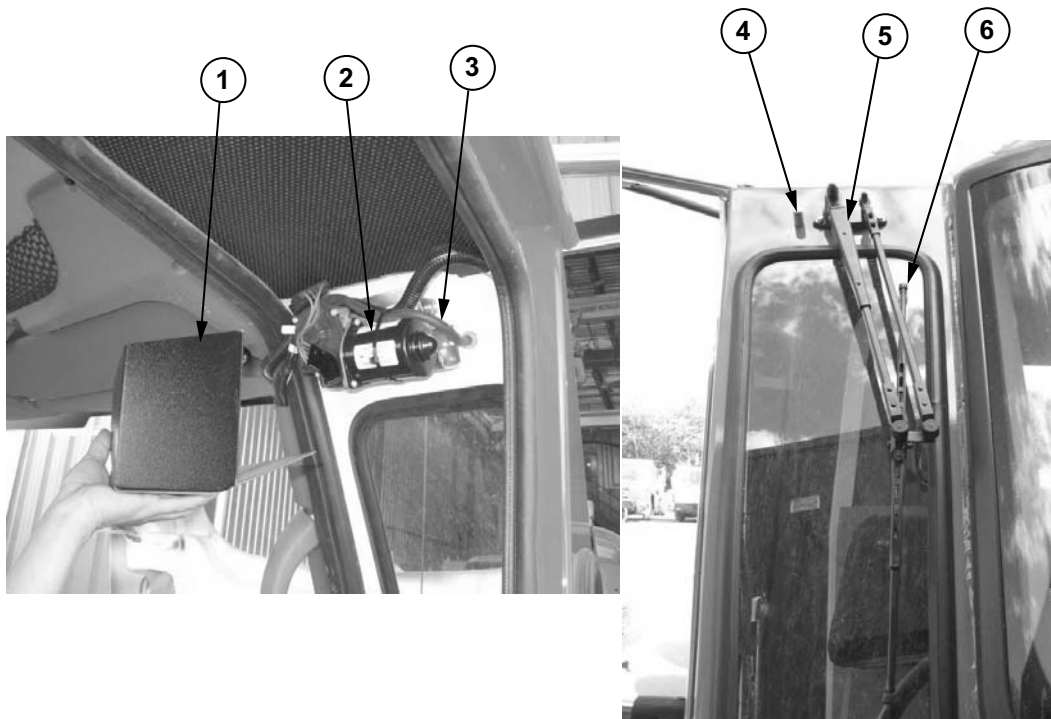
REF. NO.	PART NO.	DESCRIPTION	QTY.
1	QUR01923		4
2	QUB05460		2
3	60091		2
4	QUR00560		2
5	60085		2
6	QUB01300		2
7	60086		1
	60094	Assembly	1

BELTS



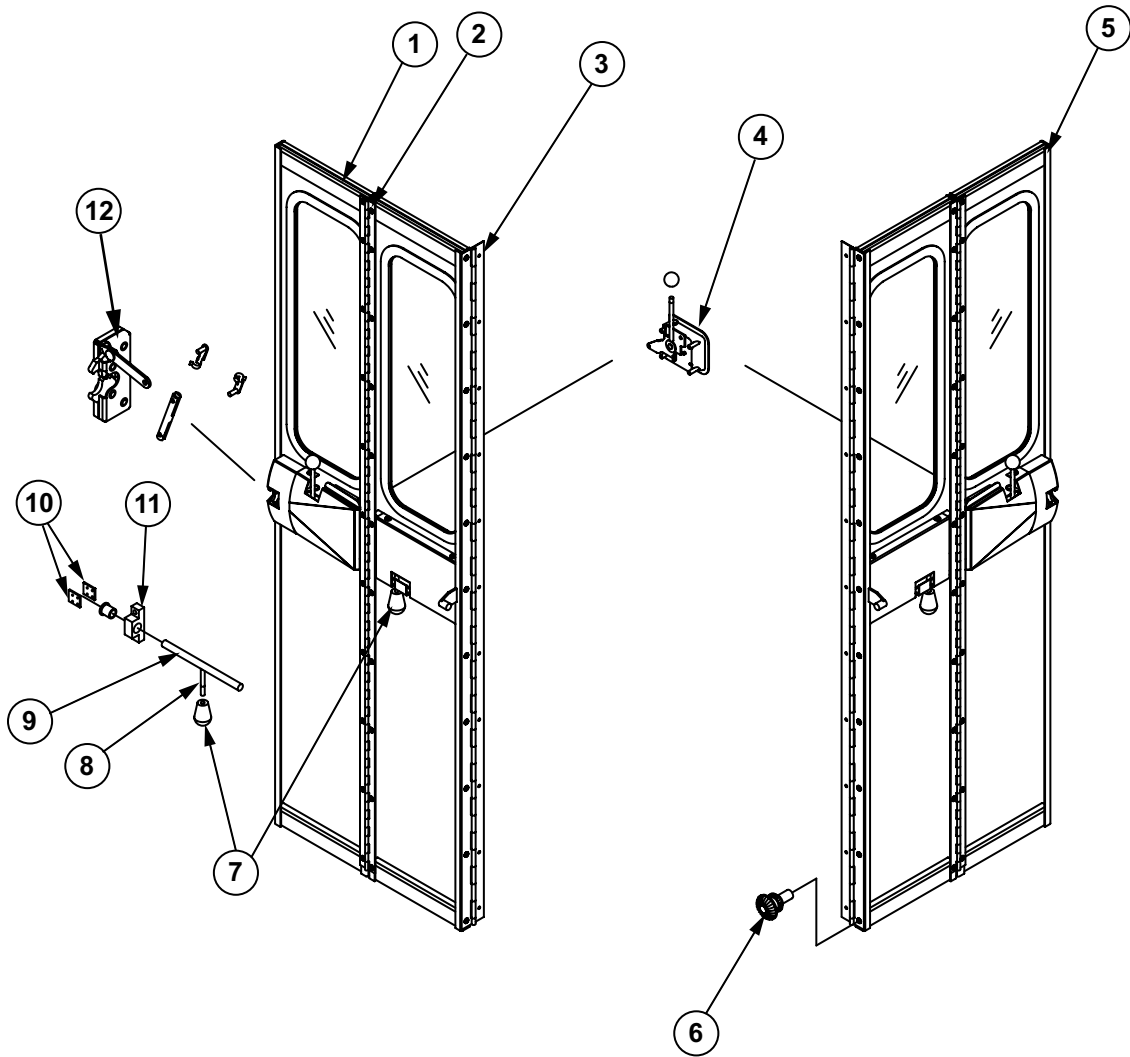
REF. NO.	PART NO.	DESCRIPTION	QTY.
1	QUB05467		1
2	CIC00350		1
3	76549		1

WIPER



REF. NO.	PART NO.	DESCRIPTION	QTY.
1	39925		1
2	CIE00610-01		1
3	CIB00600		1
4	CIE00590		1
5	CIE00620		1
6	CIE00640		1

LEFT AND RIGHT DOORS



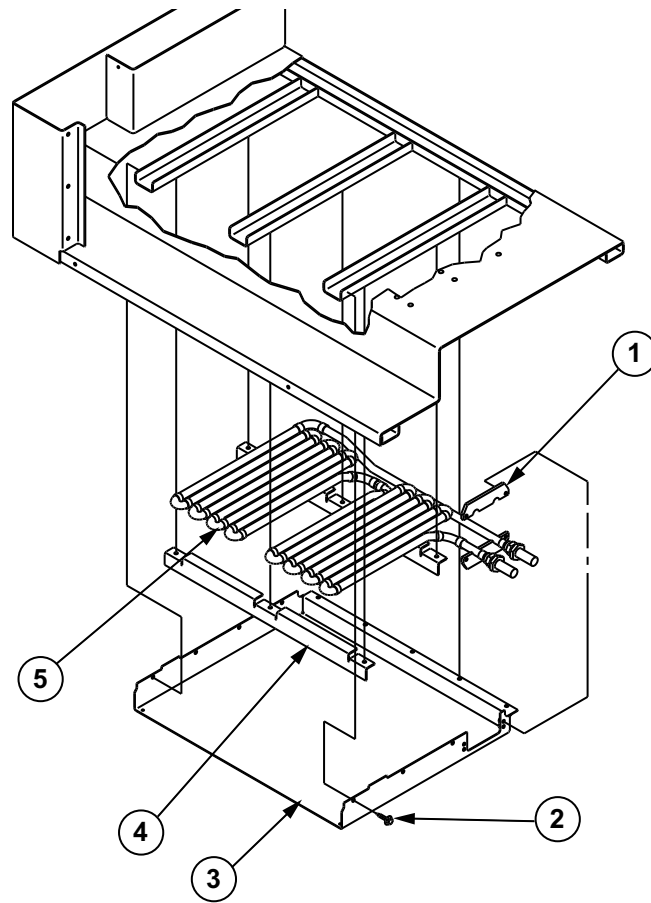
LEFT AND RIGHT DOORS

REF. NO.	PART NO.	DESCRIPTION	QTY.
1	39901		1
	50158		1
2	41733		1
	50162		1
3	41734		1
	50161		1
4	QUP0260		1
	QUP0250		1
5	44239		1
6	QUR02165		1
7	QUB09000		1
8	60238		1
9	60239		1
	72348		1
10	60236		2
11	60240		1
12	QUP0260		1
	QUP0250		1



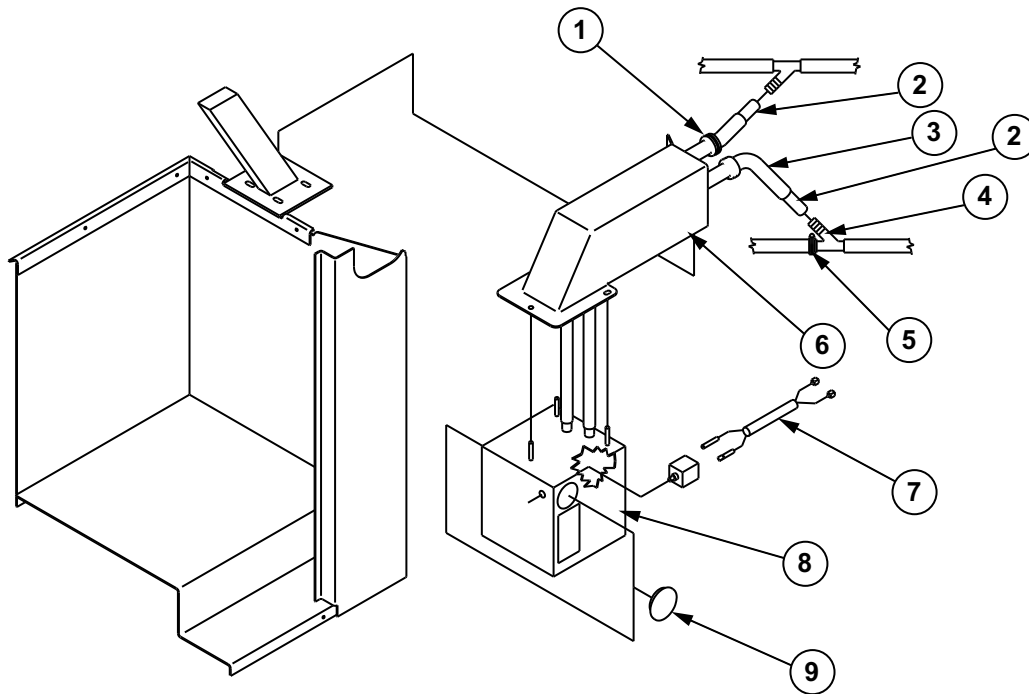
SECTION 9.1.11A

HEATING PLATFORM



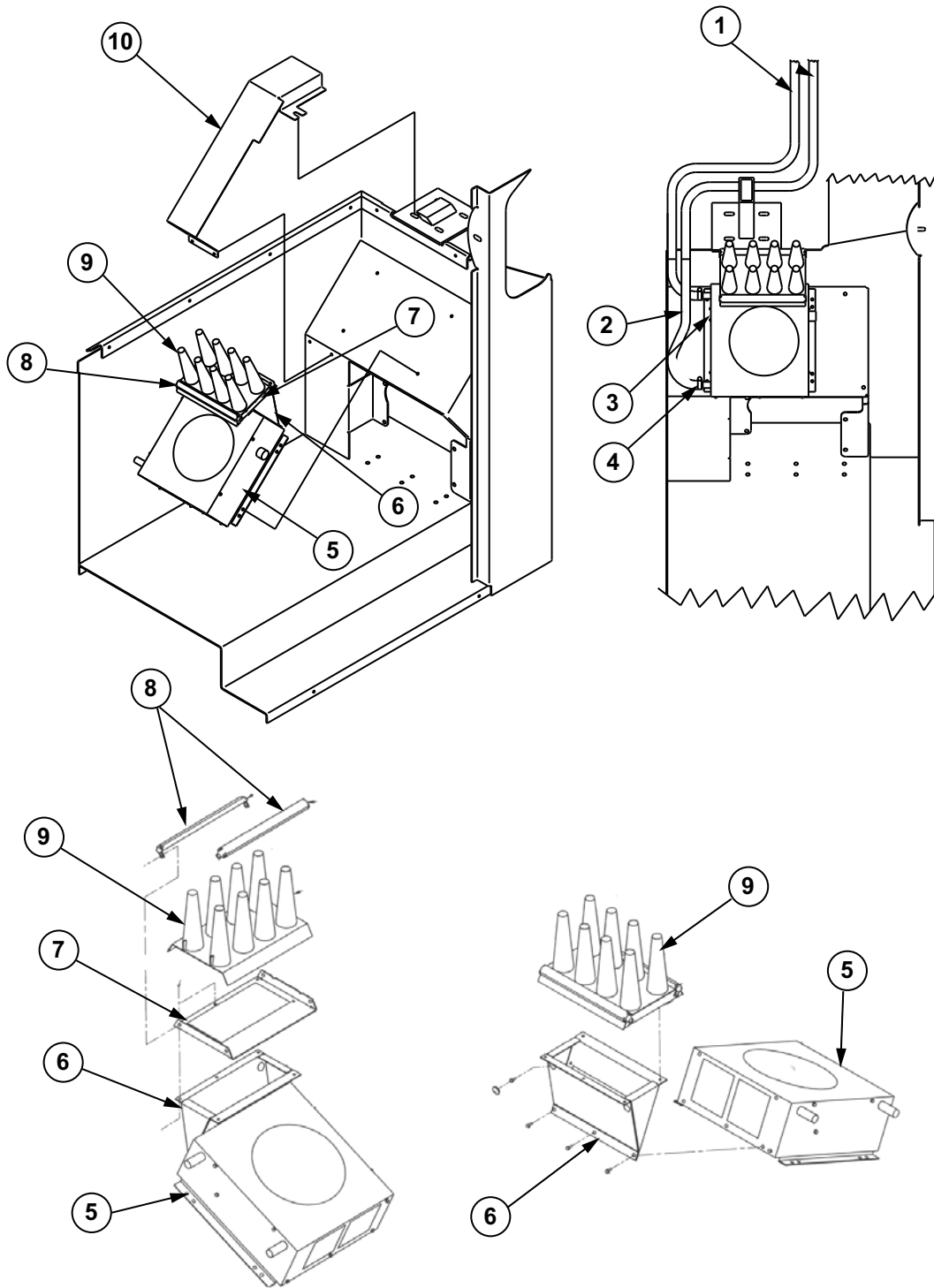
REF. NO.	PART NO.	DESCRIPTION	QTY.
1	48321		2
2	QUV01500		18
3	48316		1
4	48320		2
5	48318		1

FOOT WARMER



REF. NO.	PART NO.	DESCRIPTION	QTY.
1	QUG02000		2
2	CIB00900		2
3	41723		1
4	HYF06250		1
5	QUC07175		8
6	39883		1
7	45050		1
	ELD00400		1
	ELF00060		1
8	CIC01675		1
9	QUB01215		2

FOOT/GLOVE WARMER



FOOT/GLOVE WARMER

REF. NO.	PART NO.	DESCRIPTION	QTY.
1	60036		2
	QUG02000		2
	HYF06250		2
2	CIB00900		1
3	45050		1
	ELD00400		1
	ELF00030		1
4	QUC07175		2
5	CHR00115		1
6	60029		1
7	60023		1
8	60024		2
9	60026		1
	60028	ASSEMBLY (Includes Items 5-9)	1
10	60034		1





**Labrie Equipment
175, route du Pont
Saint-Nicolas
QC G7A 2T3 Canada
800-463-6638**

www.labrie.ca

Part number : 55498