



LABRIE CAB ELECTRICAL

LABRIE CAB ELECTRICAL

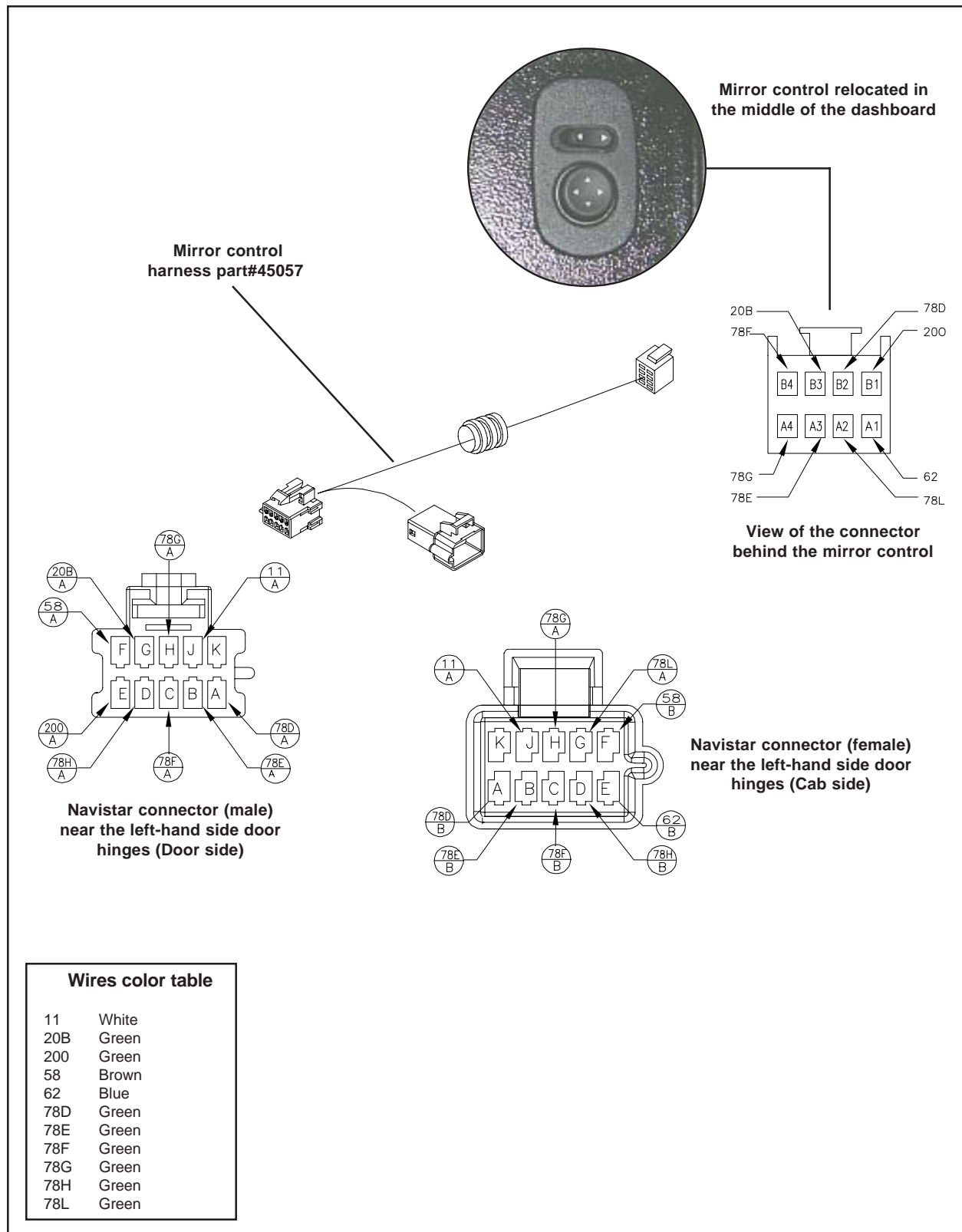
Table of contents

10.0	LABRIE CAB ELECTRICAL	10-4
10.1	CAB CONTROLS FOR INTERNATIONAL 7400	10-4
10.1.1	ELECTRONIC MIRROR CONTROL	10-4
10.1.2	RIGHT-HAND SIDE AUXILIARY WIPER	10-6
10.2	CAB CONTROLS FOR FREIGHTLINER FL-70 / FL-80	10-7
10.2.1	DUAL TURN SIGNAL ARM	10-7
10.2.2	DUAL WIPER CONTROL (1ST ISSUE)	10-8
10.2.3	DUAL WIPER CONTROL (2ND ISSUE)	10-9
10.2.4	DUAL HEADLIGHT SYSTEM	10-10
10.3	ELECTRONIC ACCELERATION CONTROL SYSTEMS	10-11
10.3.1	OEM TO LABRIE WIRE NUMBERS CROSS REFERENCE	10-11
10.3.2	DUAL ELECTRONIC ACCELERATOR PEDAL	10-12
10.3.3	TRIPLE ELECTRONIC ACCELERATOR PEDAL	10-13
10.3.4	DUAL ELECTRONIC ACCELERATOR PEDAL (Caterpillar engine)	10-14
10.3.5	TRIPLE ELECTRONIC ACCELERATOR PEDAL (Caterpillar engine)	10-15

10.0 LABRIE CAB ELECTRICAL

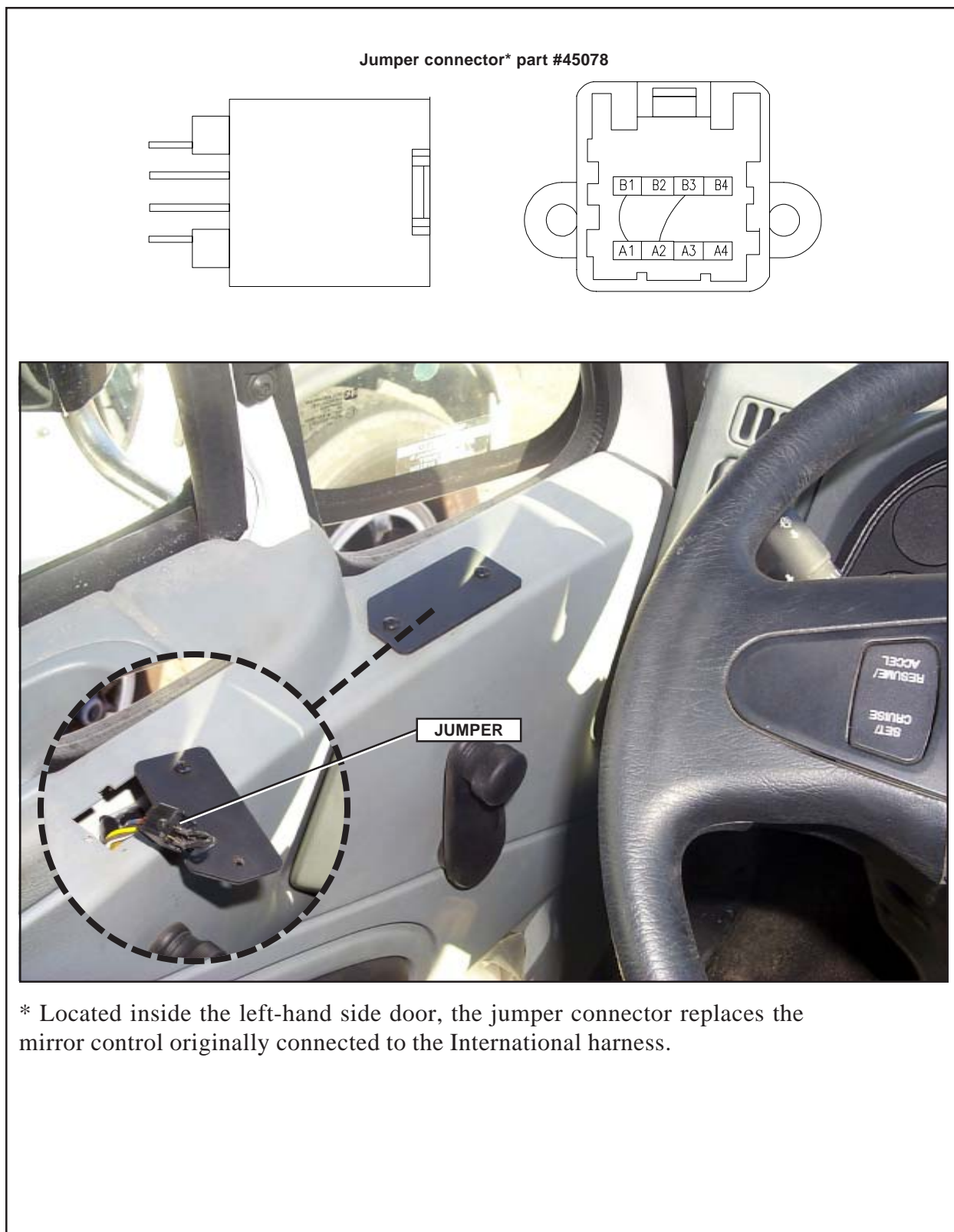
10.1 CAB CONTROLS FOR INTERNATIONAL 7400

10.1.1 ELECTRONIC MIRROR CONTROL



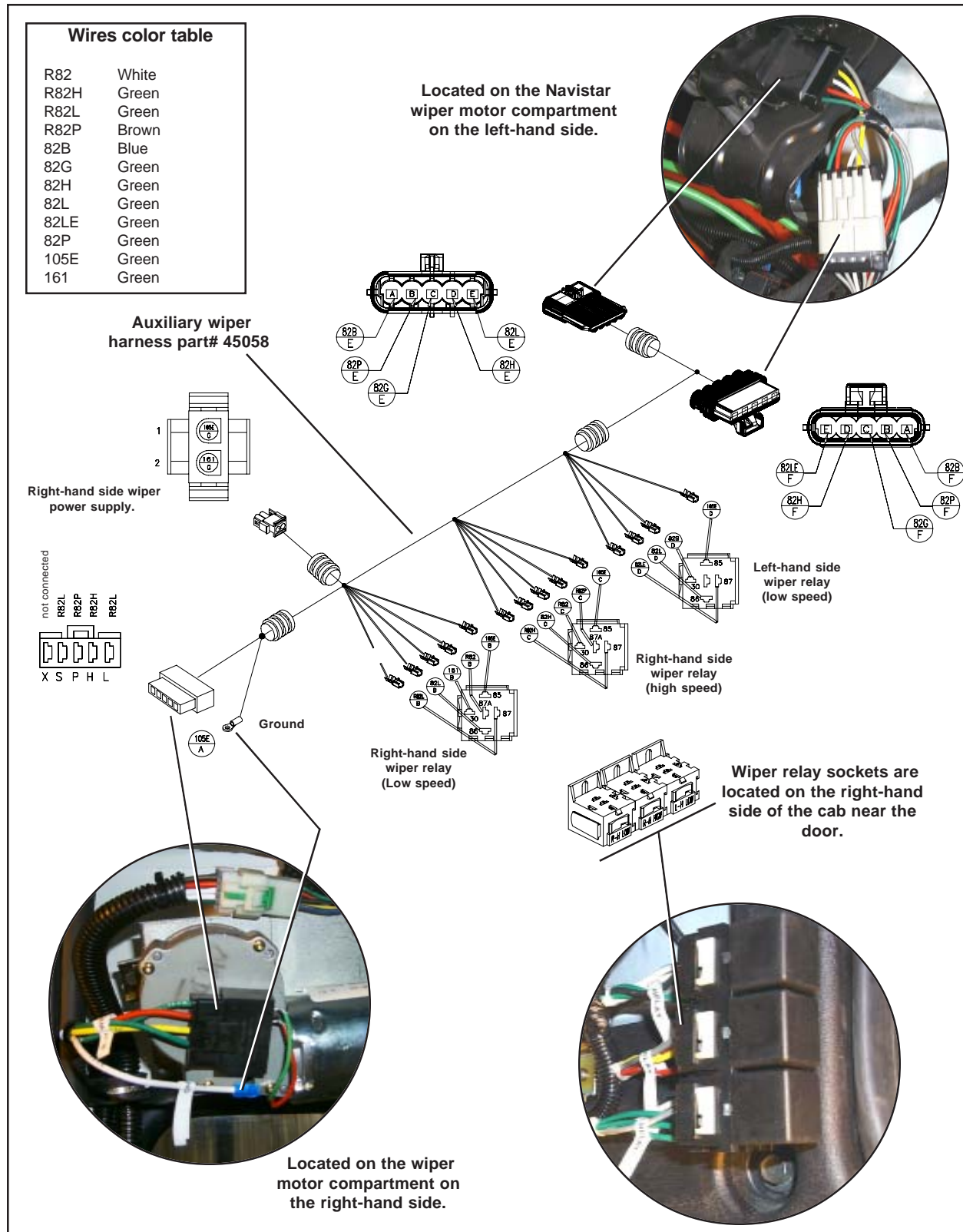
10.1 CAB CONTROLS FOR INTERNATIONAL 7400

10.1.1 ELECTRONIC MIRROR CONTROL



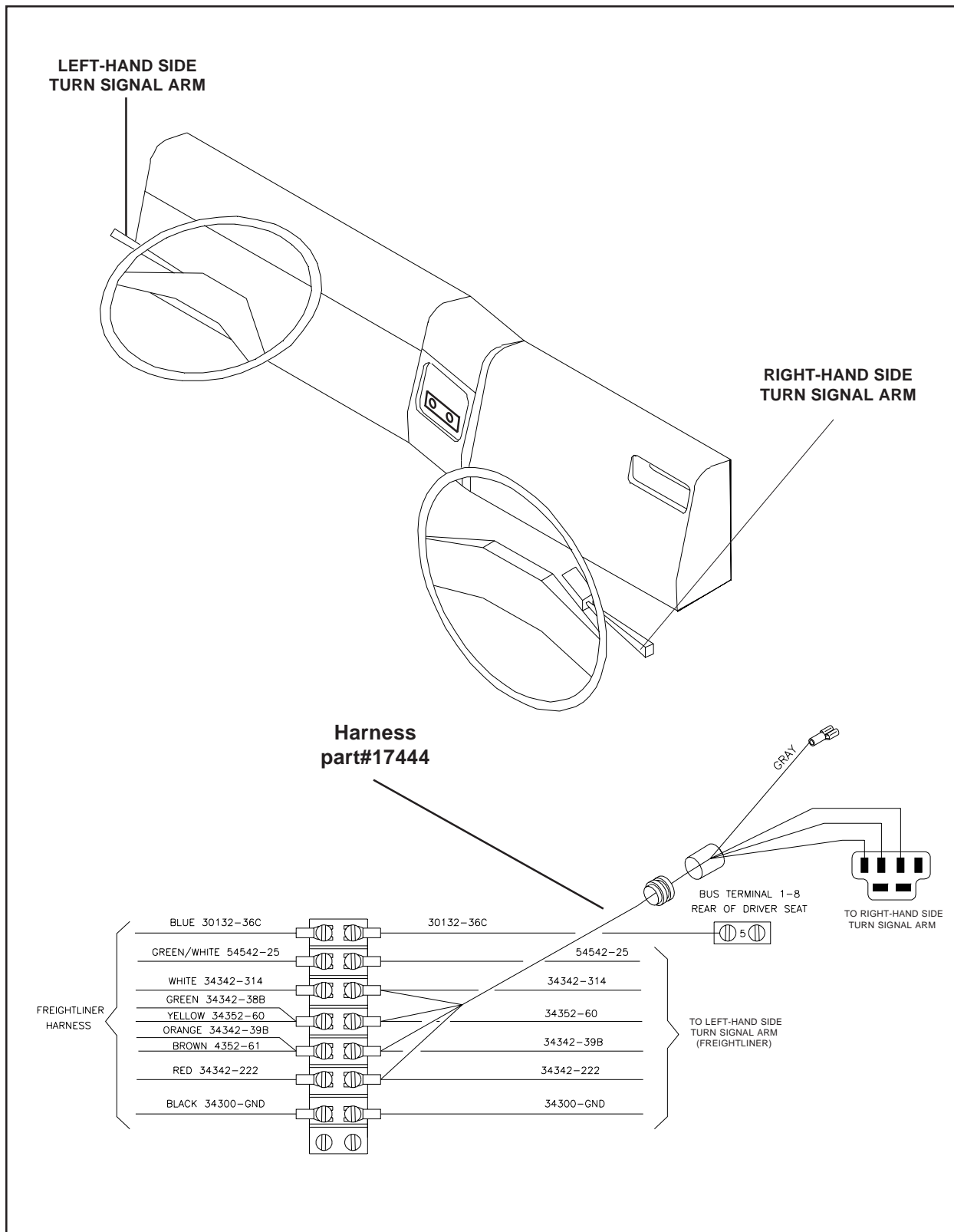
10.1 CAB CONTROLS FOR INTERNATIONAL 7400

10.1.2 RIGHT-HAND SIDE AUXILIARY WIPER



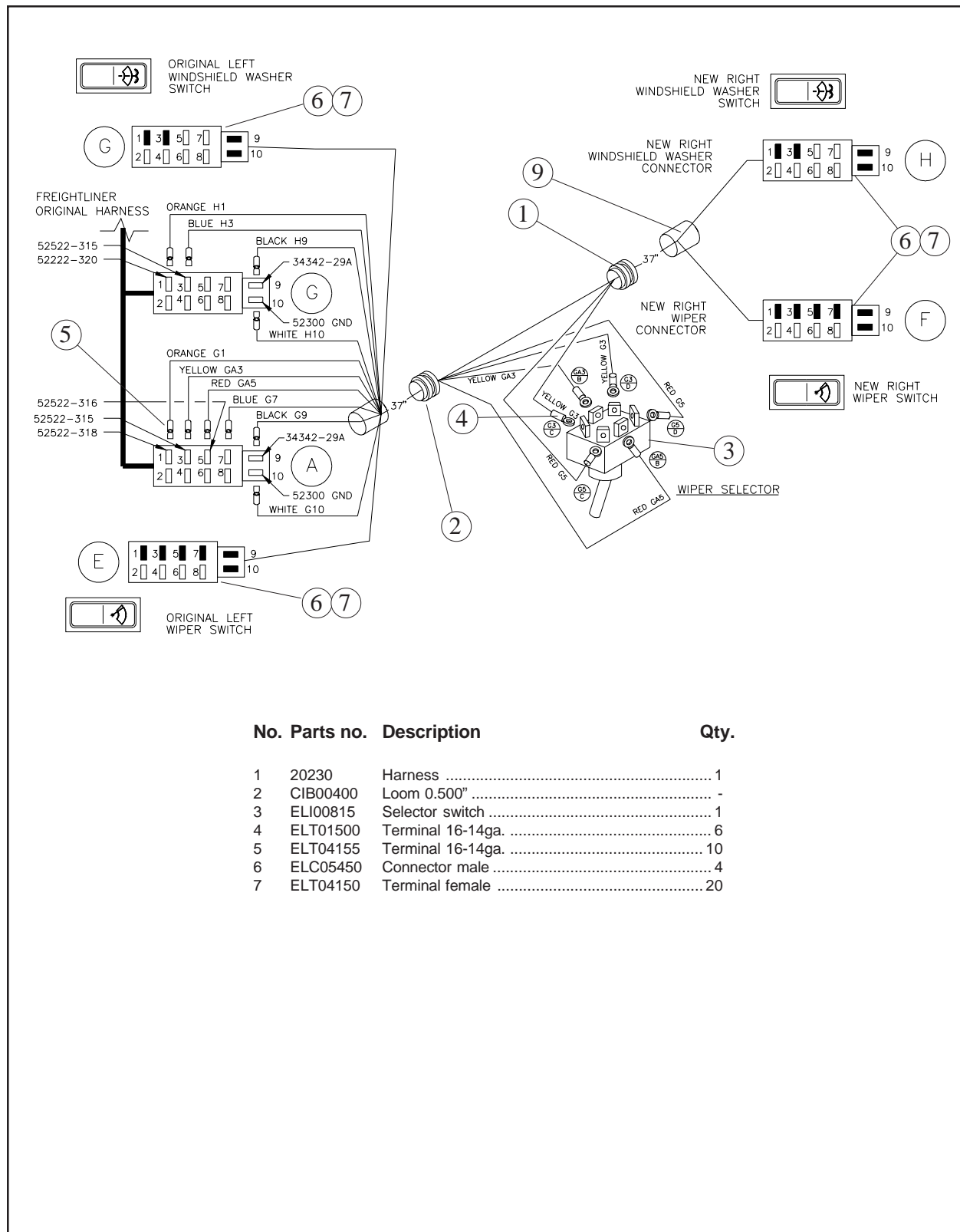
10.2 CAB CONTROLS FOR FREIGHTLINER FL-70 / FL-80

10.2.1 DUAL TURN SIGNAL ARM



10.2 CAB CONTROLS FOR FREIGHTLINER FL-70 / FL-80

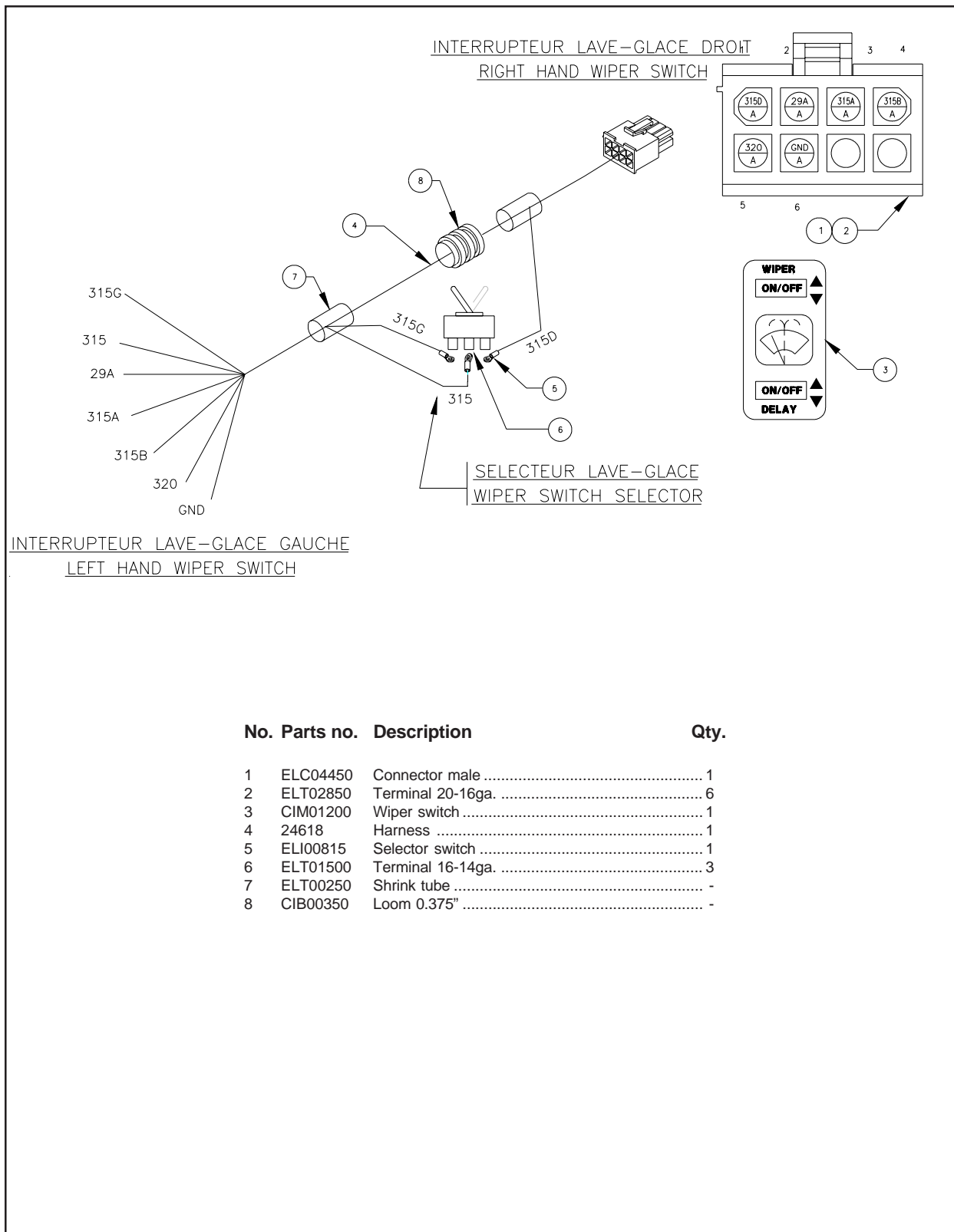
10.2.2 DUAL WIPER CONTROL (1ST ISSUE)



No.	Parts no.	Description	Qty.
1	20230	Harness	1
2	CIB00400	Loom 0.500'	-
3	ELI00815	Selector switch	1
4	ELT01500	Terminal 16-14ga.	6
5	ELT04155	Terminal 16-14ga.	10
6	ELC05450	Connector male	4
7	ELT04150	Terminal female	20

10.2 CAB CONTROLS FOR FREIGHTLINER FL-70 / FL-80

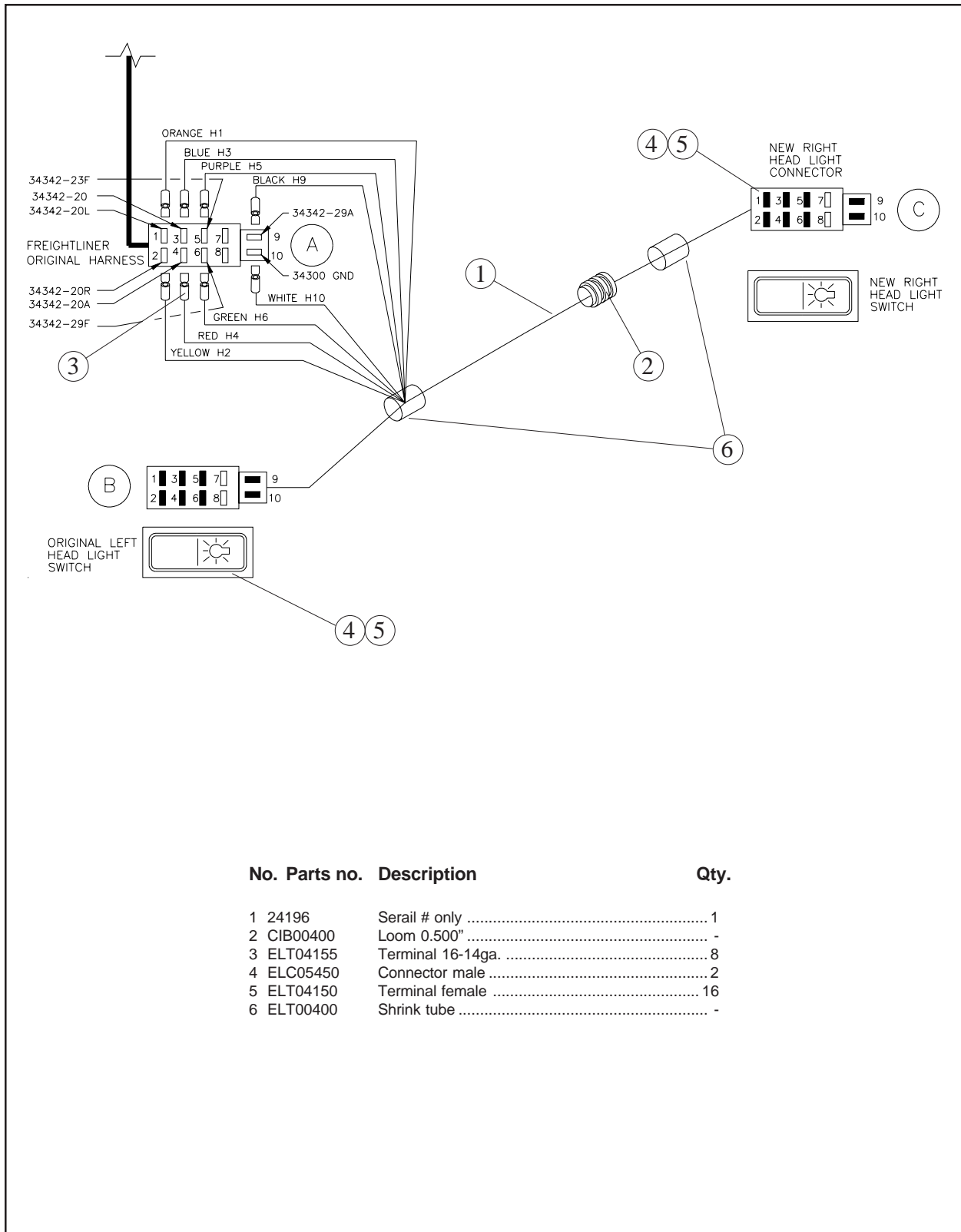
10.2.3 DUAL WIPER CONTROL (2ND ISSUE)



No.	Parts no.	Description	Qty.
1	ELC04450	Connector male	1
2	ELT02850	Terminal 20-16ga.	6
3	CIM01200	Wiper switch	1
4	24618	Harness	1
5	ELI00815	Selector switch	1
6	ELT01500	Terminal 16-14ga.	3
7	ELT00250	Shrink tube	-
8	CIB00350	Loom 0.375"	-

10.2 CAB CONTROLS FOR FREIGHTLINER FL-70 / FL-80

10.2.4 DUAL HEADLIGHT SYSTEM



No.	Parts no.	Description	Qty.
1	24196	Serial # only	1
2	CIB00400	Loom 0.500"	-
3	ELT04155	Terminal 16-14ga.	8
4	ELC05450	Connector male	2
5	ELT04150	Terminal female	16
6	ELT00400	Shrink tube	-

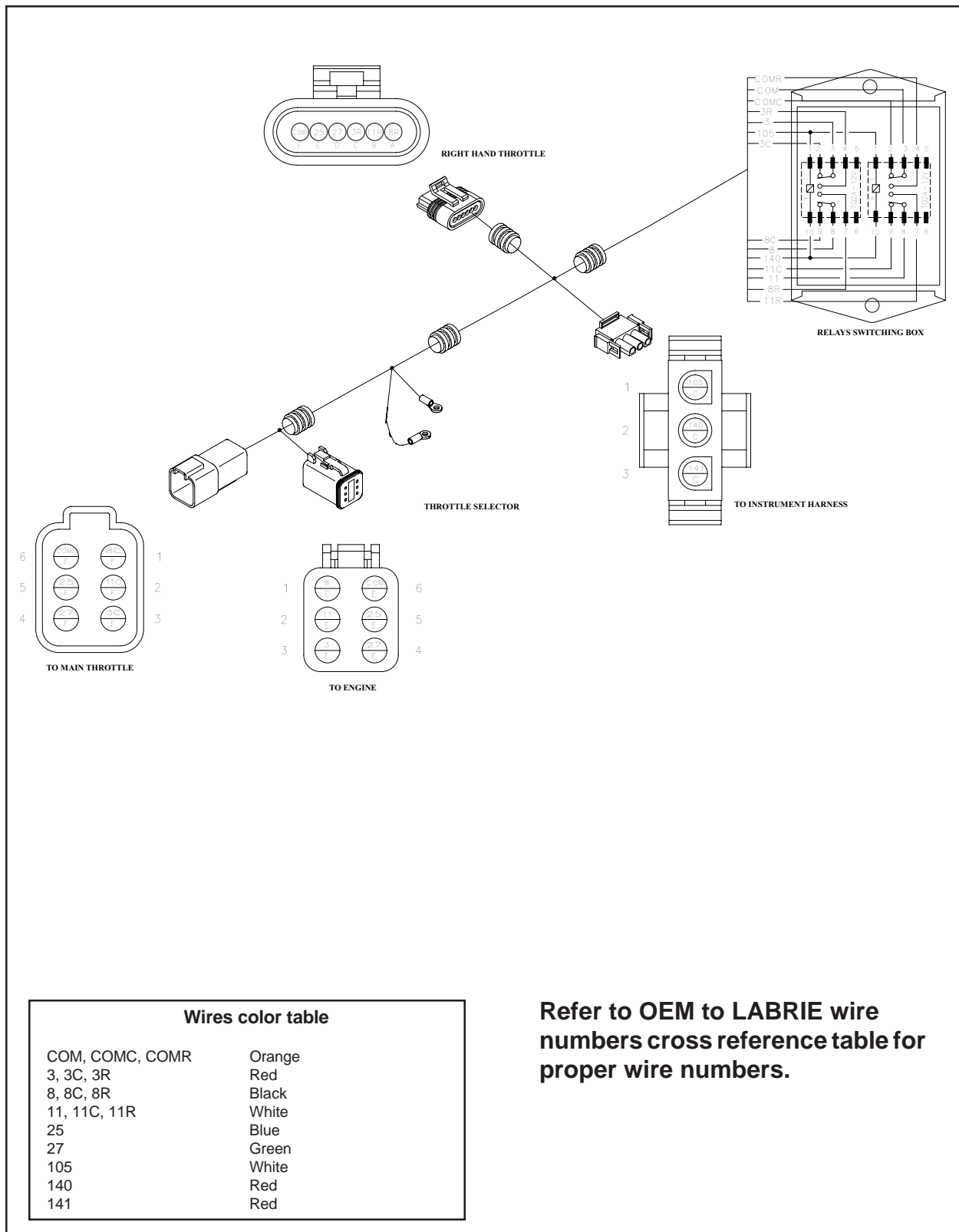
10.3 ELECTRONIC ACCELERATION CONTROL SYSTEMS**10.3.1 OEM TO LABRIE WIRE NUMBERS CROSS REFERENCE****Cross-reference table to match Labrie wire numbers
with OEM wire numbers**

For Labrie Harnesses #65359 and #65360

Pin # on pedal connector	Pin # on Labrie's connector	Labrie's wire color	International 4900 wire #	Freightliner wire #	International 4400-7400 wire #
A	1	BLACK	99B	EN5362	99V
B	2	WHITE	99A	EN0364	97AD
C	3	RED	99C	EN5363	97AF
D	4	GREEN	99D	EN0869	99U
E	5	BLUE	Not connected	EN0868	99W
F	6	ORANGE	99^E	EN0867	99E

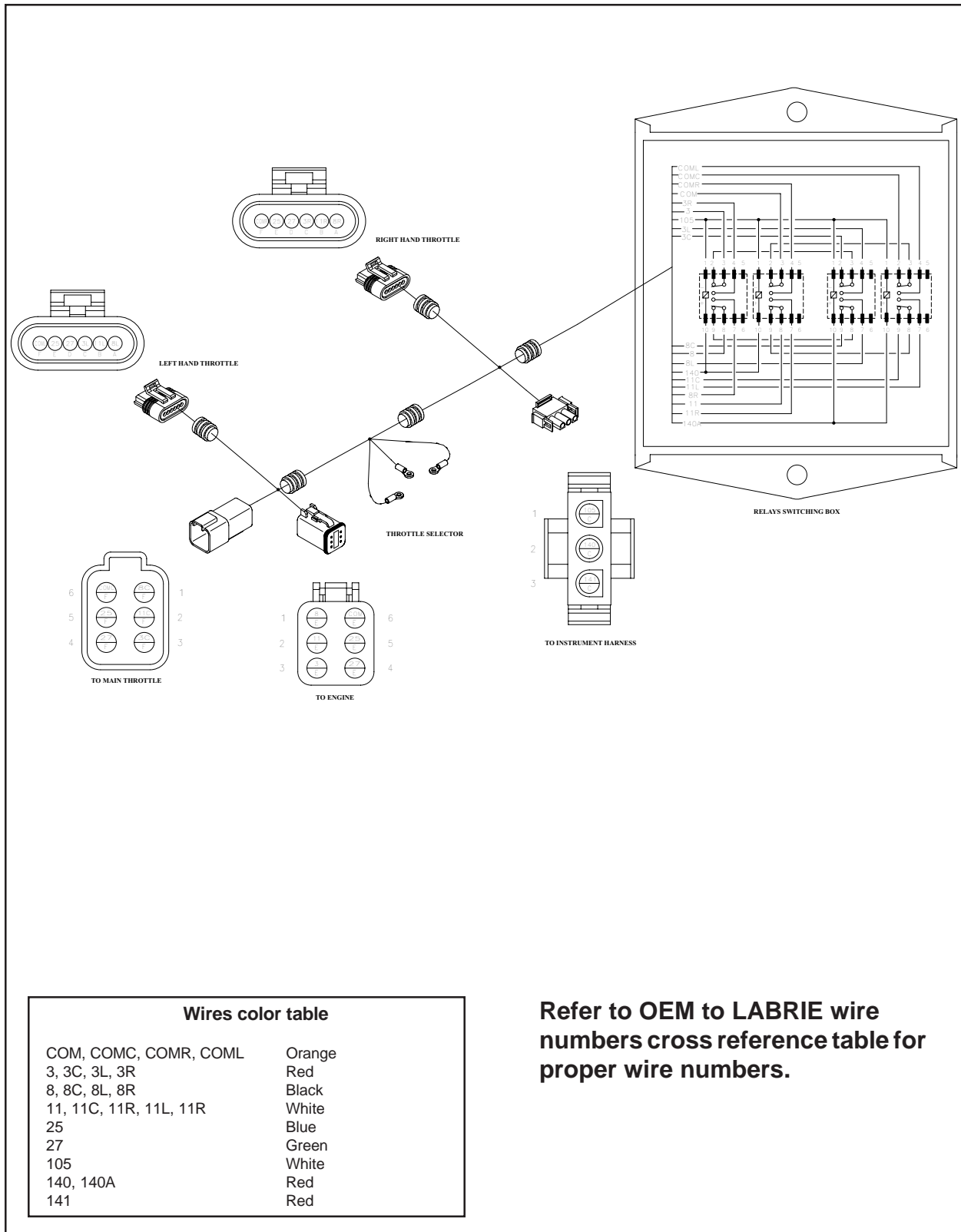
10.3 ELECTRONIC ACCELERATION CONTROL SYSTEMS

10.3.2 DUAL ELECTRONIC ACCELERATOR PEDAL (International and Cummins engines)



10.3 ELECTRONIC ACCELERATION CONTROL SYSTEMS

10.3.3 TRIPLE ELECTRONIC ACCELERATOR PEDAL (International and Cummins engines)



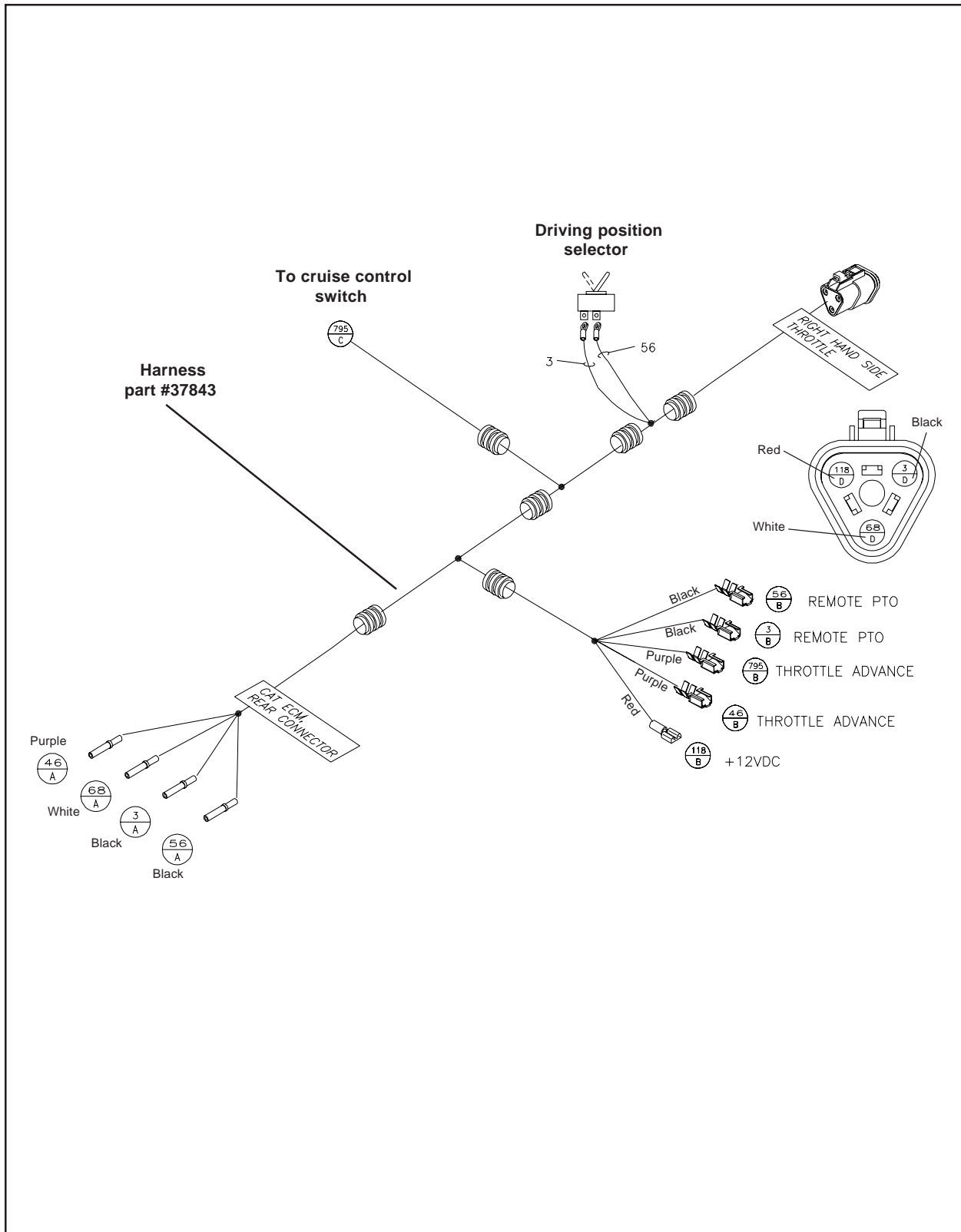
Wires color table

COM, COMC, COMR, COML	Orange
3, 3C, 3L, 3R	Red
8, 8C, 8L, 8R	Black
11, 11C, 11R, 11L, 11R	White
25	Blue
27	Green
105	White
140, 140A	Red
141	Red

Refer to OEM to LABRIE wire numbers cross reference table for proper wire numbers.

10.3 ELECTRONIC ACCELERATION CONTROL SYSTEMS

10.3.4 DUAL ELECTRONIC ACCELERATOR PEDAL (Caterpillar engine)



10.3 ELECTRONIC ACCELERATION CONTROL SYSTEMS

10.3.5 TRIPLE ELECTRONIC ACCELERATOR PEDAL (Caterpillar engine)

