

HYDRAULIC SYSTEM

AUTOMIZER VERSA HAND™



LabriePlus™

Parts, Service and Warranty
(during business hours)

Technical Support Service
(24 hours)

1-800-231-2771

3630 Stearns Drive

Oshkosh, WI 54904



HYDRAULIC SYSTEM

AUTOMIZER VERSA HAND™

Table of Contents

5.0	HYDRAULIC SYSTEM PARTS.....	5 - 5
5.1	AUTOMIZER HYDRAULIC PARTS	5 - 5
5.1.1	INTRODUCTION	5 - 5
5.1.2	HOW TO ORDER	5 - 7
5.2	AUTOMIZER HYDRAULICS	5 - 8
5.2.1	MAIN HYDRAULIC CONTROL VALVE	5 - 8
5.2.1A	ELECTRICAL VALVE	5 - 10
5.2.2	BODY HOIST	5 - 12
5.2.3	HYDRAULIC TANK	5 - 14
5.2.3A	HYDRAULIC TANK	5 - 16
5.2.3B	RETURN FILTER PARTS	5 - 18
5.2.4	PROPORTIONAL VALVE	5 - 20
5.2.5	TAILGATE CYLINDERS AND HOSES	5 - 22
5.2.6	HYDRAULIC PUMP	5 - 24

5.0 HYDRAULIC SYSTEM PARTS

5.1 AUTOMIZER™ HYDRAULIC PARTS

5.1.1 INTRODUCTION

All hoses and pipes on both the chassis and body are now identified with part number tags (Figure #5.1 & #5.2). Call the Labrie Parts and Service department, and make sure to give the serial number of the vehicle, a brief description of the part and the number that appears on the tag. This will ensure the delivery of the right component.

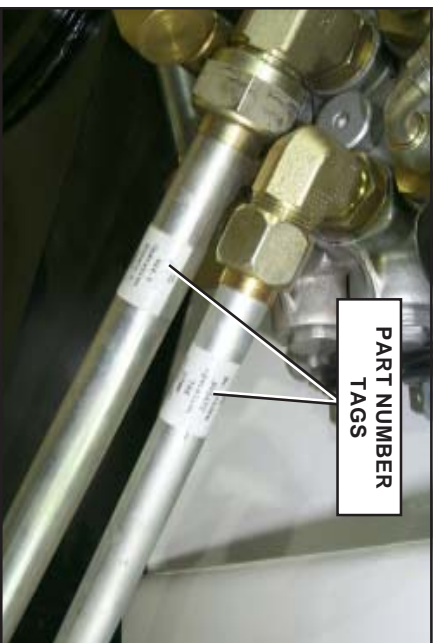


Figure #5.1



Figure #5.2

5.1.2 HOW TO ORDER

When ordering hydraulic components, always specify the following:

A) Body serial number: eg. SF 00 XXXAAA

VEHICLE TYPE PREFIX →
YEAR → SERIAL # →



Figure #5.3

CANADIAN ID PLATE



U.S. ID PLATE



Figure #5.4

The serial number of the chassis(VIN) and the body serial number are located inside the cab(Figure #5.3). An ID plate located on the L-H side of the body will also provide body serial number and the date of manufacture(Figure #5.4).

B) The type of body; There are four different types of bodies (without tailgate). These capacities determine the length of the body, therefore the type of hydraulic pipes, hoses, hoists and pumps.

- 21 cubic yard
- 27 cubic yard

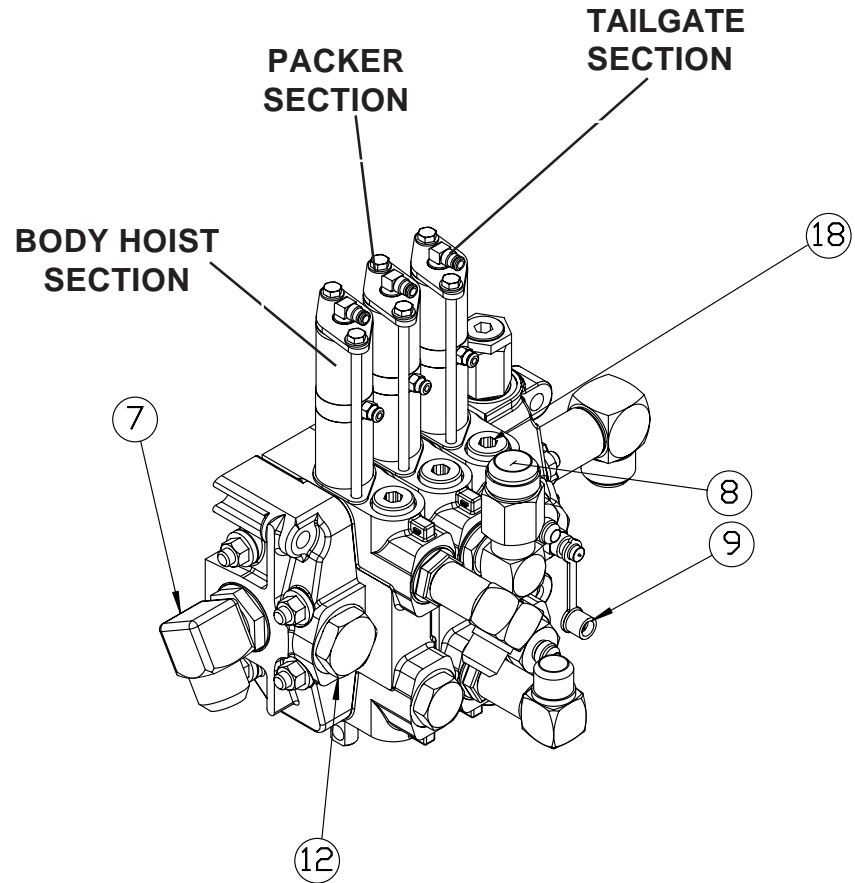
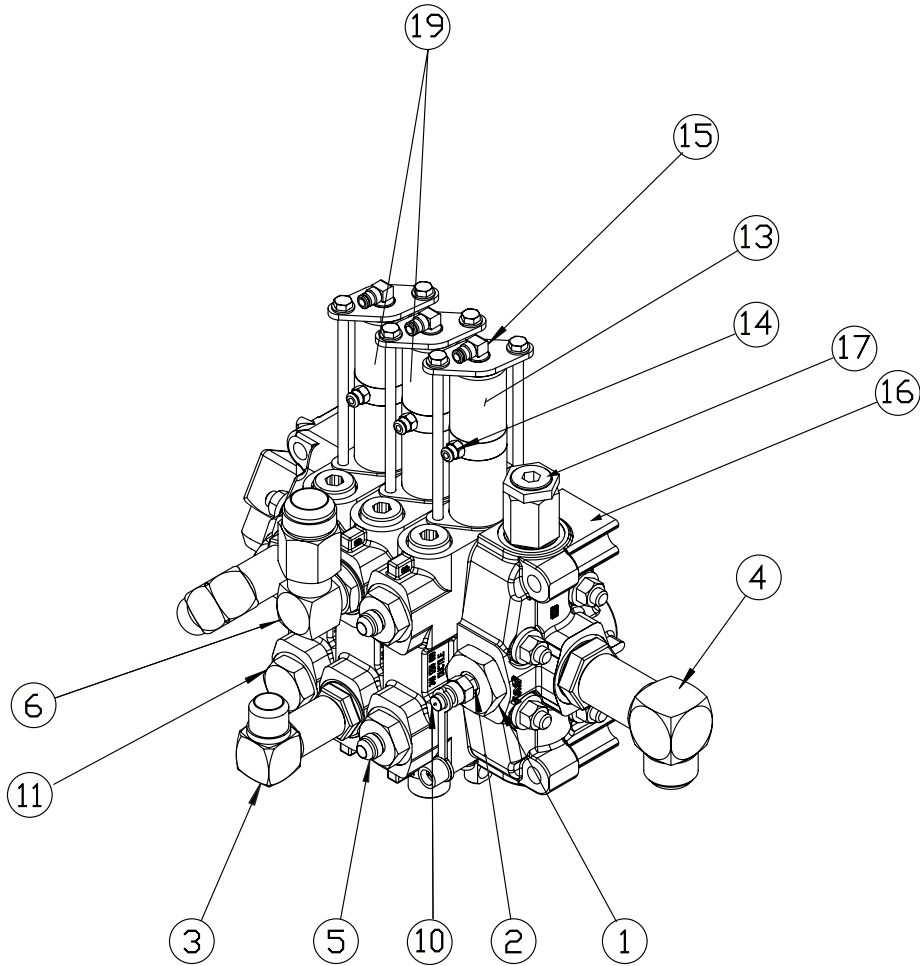
C) The type of pump

- Denison

D) The type of chassis with drive train configuration, i.e.: International 4900 6x4

E) Type of transmission, i.e.: Allison MD3560

5.2 AUTOMIZER™ HYDRAULICS
5.2.1 MAIN HYDRAULIC CONTROL VALVE



5.2 AUTOMIZER™ HYDRAULICS

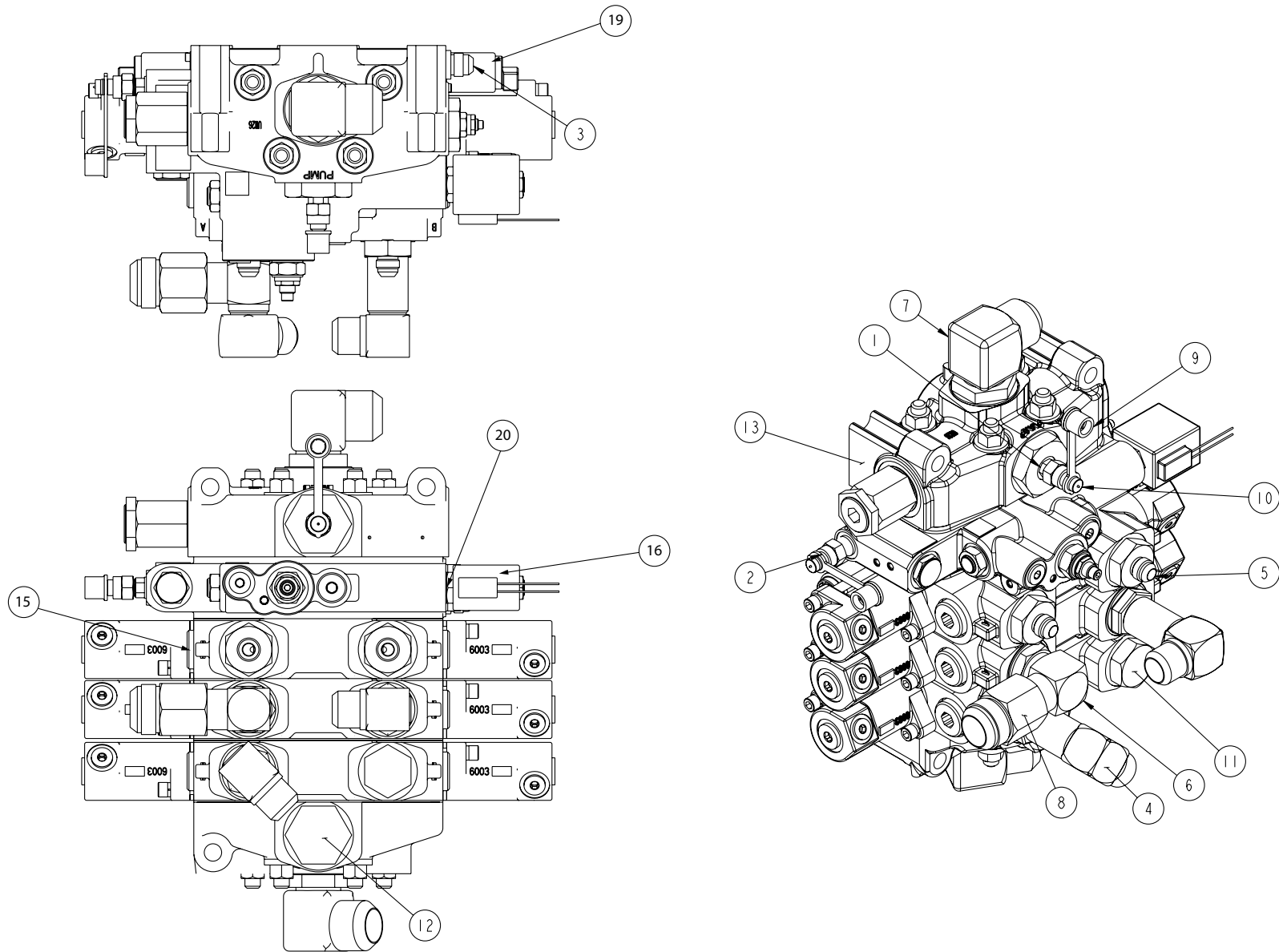
5.2.1 MAIN HYDRAULIC CONTROL VALVE

Nº	PART Nº	DESCRIPTION	QTY.
1	68276	Adaptor	1
2	HYF04686	Union Fitting	1
3	HYF05165	90° Fitting	2
4	HYF05168	90° Adaptor	1
5	HYV05185	Fitting Reducer	2
6	HYF07600	90° Fitting	1
7	HYF07800	90° Fitting	1
8	HYF09650	Union Fitting	1
9	HYF10050	Protector Cap	1
10	HYF10200	Quick Connect	1
11	HYF11050	Fitting	1
12	HYF11150	Fitting	1
13	HYA00122	VG-35 Air Actuator	1
14	PNF02850	Pneumatic Fitting	3
15	PNF04150	90° Fitting	3
16	HYV05120	VG35 3 Section Air Actuated	1
17	HYV05702	VG35 Main Relief	1
18	HYV05115	VG35 Velocity Fuse	1
19	HYA00120	VG35 Air Actuator	2

VALVE INTERNAL REPLACEMENT PARTS

--	HYV04104	VG35 Air Actuated Section Seal Kit	3
----	----------	--	---

5.2 AUTOMIZER™ HYDRAULICS
5.2.1A ELECTRICAL VALVE



5.2 AUTOMIZER™ HYDRAULICS

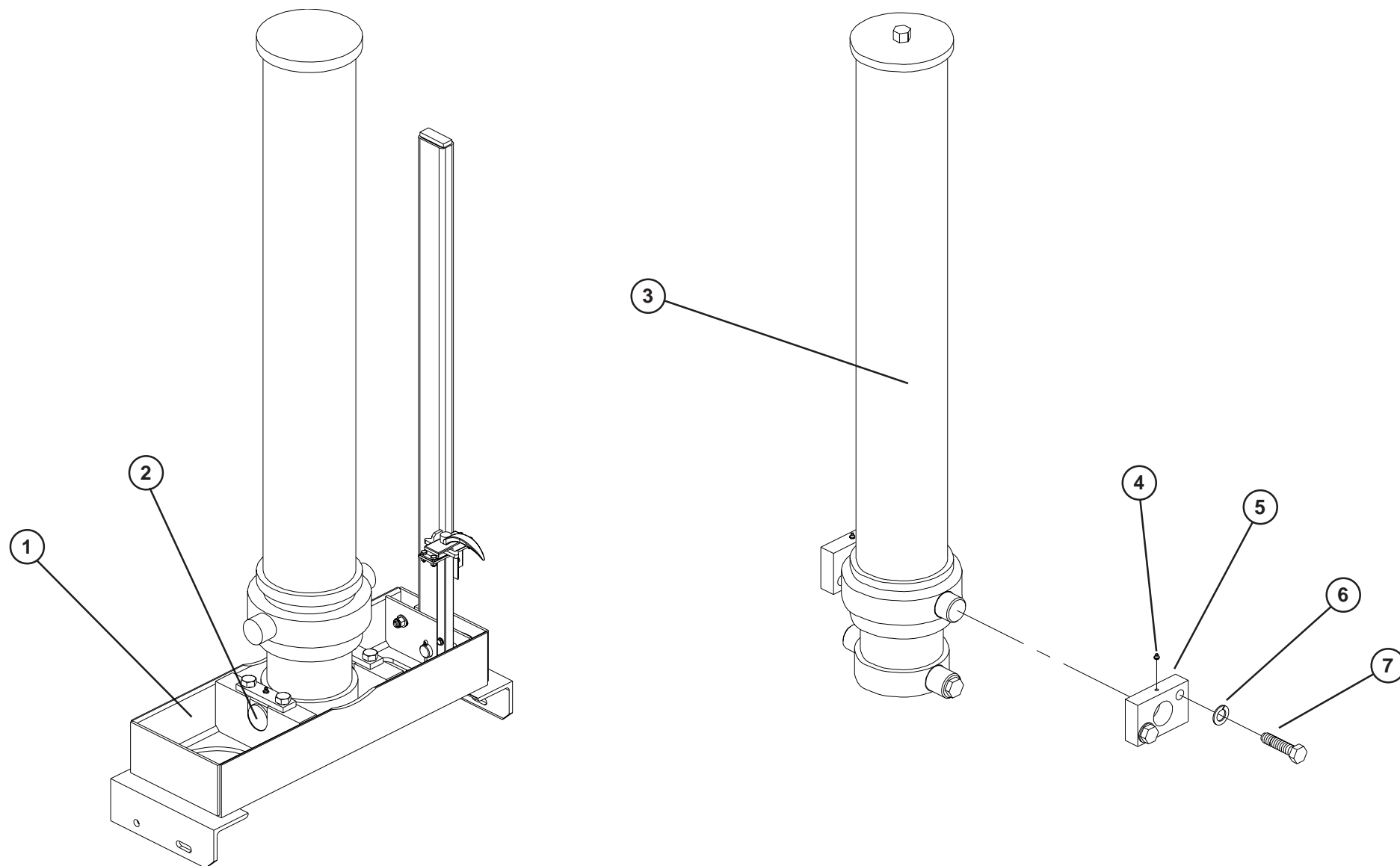
5.2.1A ELECTRICAL VALVE

Nº	PART Nº	DESCRIPTION	QTY.
1	HYF04686	Union Fitting	1
2	HYF04687	Union Fitting	1
3	HYF04920	Union Fitting	1
4	HYF05162	90° Adaptor	2
5	HYF05185	Fitting Reducer	2
6	HYF07600	90° Adaptor	1
7	HYF07800	90° Adaptor	2
8	HYF09650	Union Fitting	1
9	HYF10050	Safety Cap	2
10	HYF10200	Quick Connect	2
11	HYF11050	Fitting	1
12	HYF11150	Fitting	1
13	HYV05135	VG-35 3-section Valve	1
14	HYV05702	VG-35 Main relief	
15	HYV05115	VG-35 Velocity Fuse	
16	HYV05700	VG-35 Solenoid Build-up 12V	
17	HYJ04102	VG_35 Electrical Section Seal Kit	
18	HYJ04100	VG-35 Utility Section Seal Kit	
19	HYV05712	VG-35 Electrical Solenoid for Section	
20	HYV05710	VG-35 Cartridge Build-up	

NOTE : This valve is optional. If installed, it replaces the hydraulic valve that controls the body, the tailgate and the packer.

5.2 AUTOMIZER™ HYDRAULICS

5.2.2 BODY HOIST



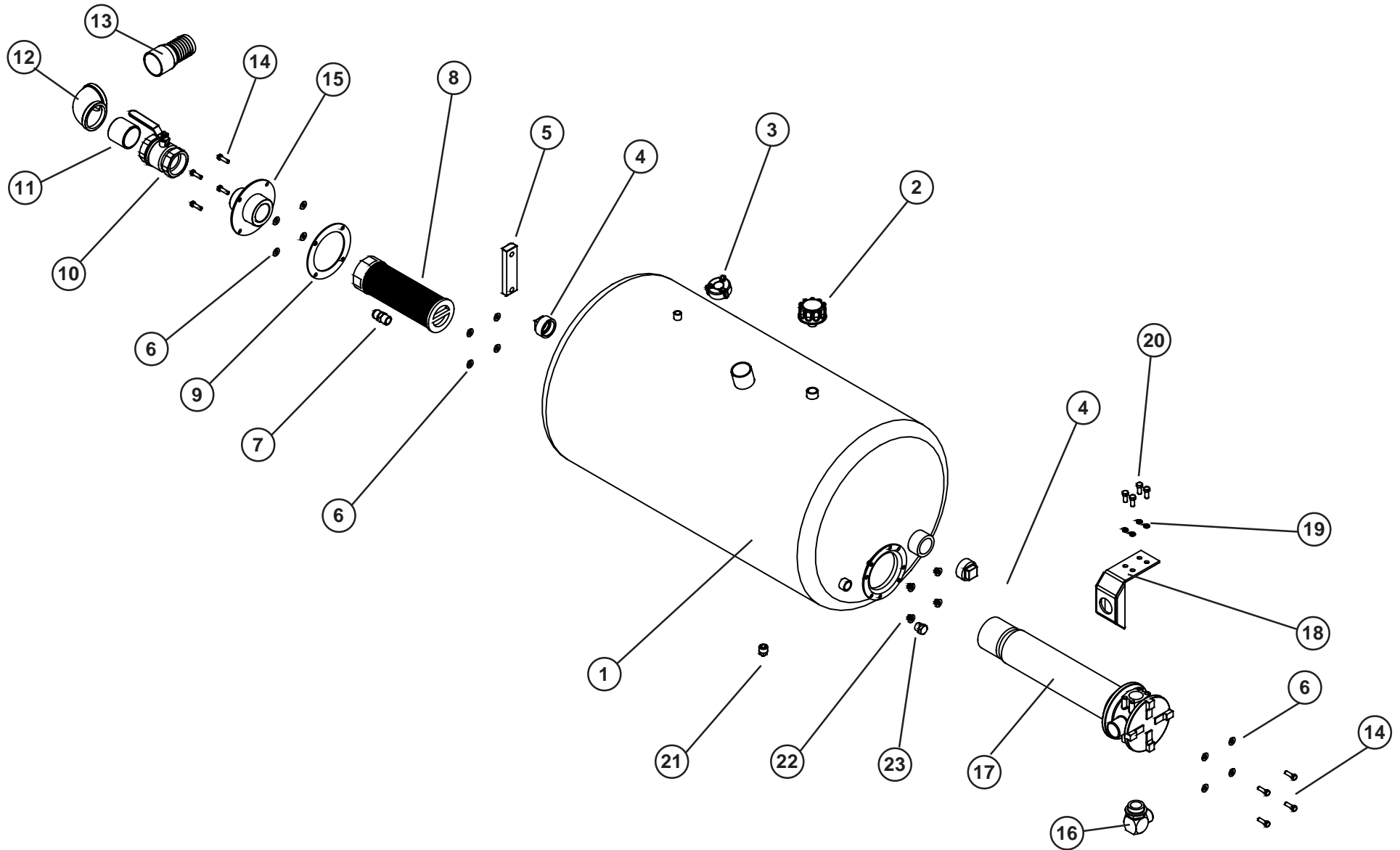
5.2 AUTOMIZER™ HYDRAULICS

5.2.2 BODY HOIST

Nº	PART Nº	DESCRIPTION	QTY.
1	25167	Hoist Base	1
2	HYF05165	90° Fitting	1
3	HYC01430	Body Hoist	1
4	QUG00200	Grease Fitting	4
5	HYC01305	Pillow Block	2
6	QUR02100	Lock Washer	4
7	QUB06570	Bolt	4

5.2 AUTOMIZER™ HYDRAULICS

5.2.3 HYDRAULIC TANK



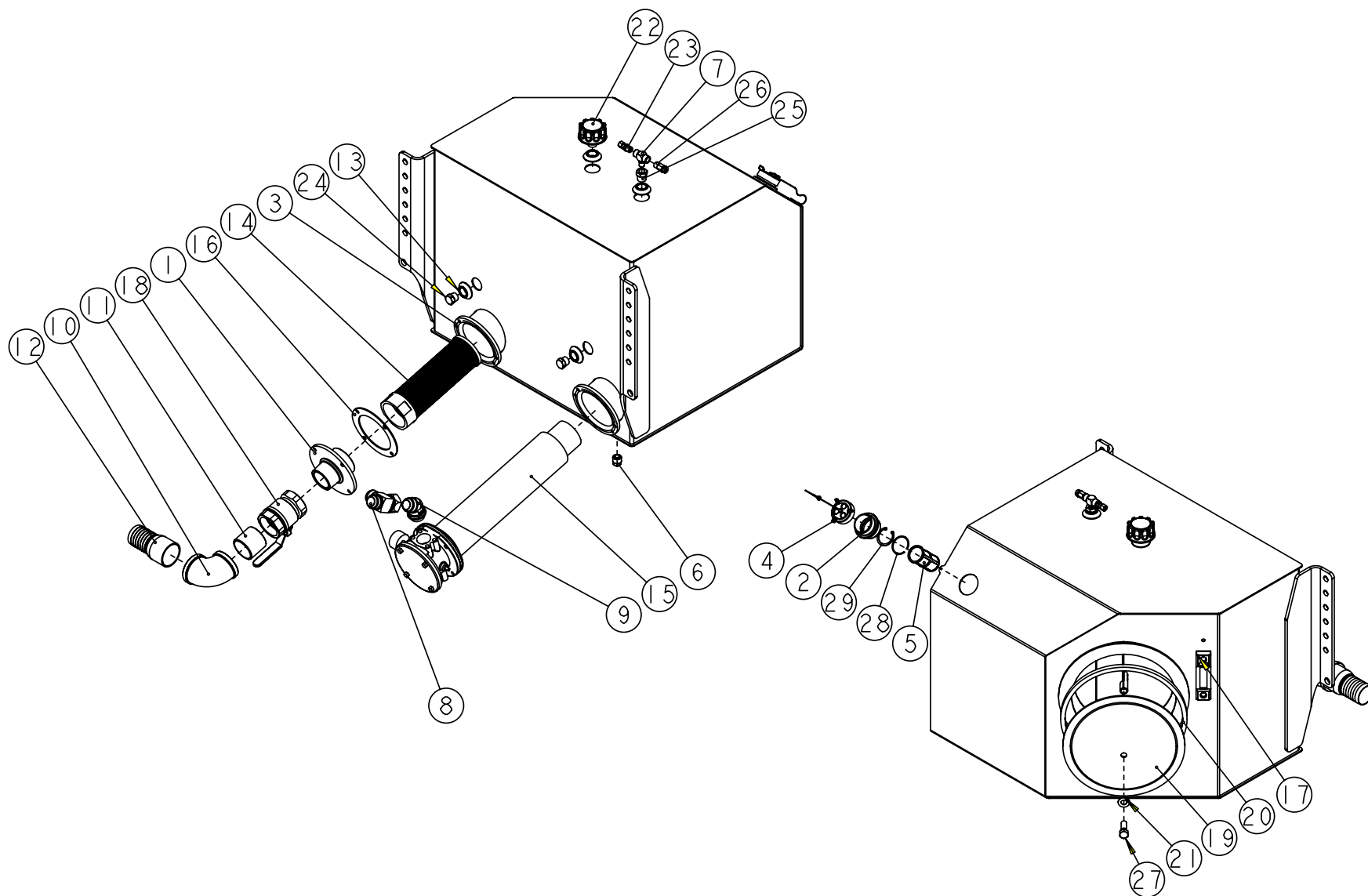
5.2 AUTOMIZER™ HYDRAULICS

5.2.3 HYDRAULIC TANK

Nº	PART Nº	DESCRIPTION	QTY.
1	50987	Tank Assy	1
2	PNB02100	Filler-Breather Cap	1
3	CIB00060	Call	1
4	HYF11500	Cap	2
5	HYJ00150	Oil Gage	1
6	QUR01900	Washer	16
7	HYF02000	Adaptor	1
8	HYF01675	Suction Filter	1
9	HYF20025	Filter Seal	1
10	HYV01850	Ball Valve	1
11	HYF13185	Adaptor	1
12	HYF13150	90° Adaptor	1
13	HYF14050	Pipe King Nipple	1
14	QUB03500	Bolt	8
15	26934	Flange	1
16	HYF07825	90° Adaptor	1
17	HYF20015	Return Filter	1
18	16073	Cover	1
19	QUR01280	Washer	4
20	QUB04205	Bolt	4
21	HYB00900	Magnetic Plug	1
22	QUE01300	Bolt	8
23	PNF07605	Hexagonal Cap	1

5.2 AUTOMIZER™ HYDRAULICS

5.2.3A HYDRAULIC TANK



5.2 AUTOMIZER™ HYDRAULICS

5.2.3A HYDRAULIC TANK

Nº	PART Nº	DESCRIPTION	QTY.
1	26934	Suction Adaptor Assy	1
2	77265	Filling duct	1
3	77406	Flange	2
4	CIB00061	Cap with external sling	1
5	HYB00760	Tanker Drogue	1
6	HYB00900	Magnetic cap	1
7	HYF05680	Adph Te	1
8	HYF06275	Adph Te	1
9	HYF07100	45° Adaptor	1
10	HYF13150	Hydraulic Adaptor	1
11	HYF13185	Adaptor	1
12	HYF14050	King Nipple	1
13	HYF15300	Fitting	5
14	HYF15675	Suction Filter	1
15	HYF20015	Shroeder Return Filter	1
16	HYF20025	Filter Seal	1
17	HYJ00150	Oil Gage	1
18	HYV01850	400 PSI Ball Valve	1
19	HYV02200	Access Cover	1
20	HYV02250	Access Cover Rubber Seal	1
21	HYV02300	Flat Washer	1
22	PNB02100	Pressurized Cap	1
23	PNF03300	Adaptor	1
24	PNF07605	Hex. Cap	2
25	PNF08095	Adpp RE ¾ NPTM X 3/8 NPTF	1
26	PNS0100	Safety Valve	1
27	QUB05200	Hex.Nut	1
28	QUR02414	Retaining Ring	1
29	QUR04328	Internal Retaining Ring	1

5.2 AUTOMIZER™ HYDRAULICS

5.2.3B RETURN FILTER PARTS

SHROEDER FILTER ASSEMBLY

HYF20015

SHROEDER FILTER ELEMENT

HYF20030

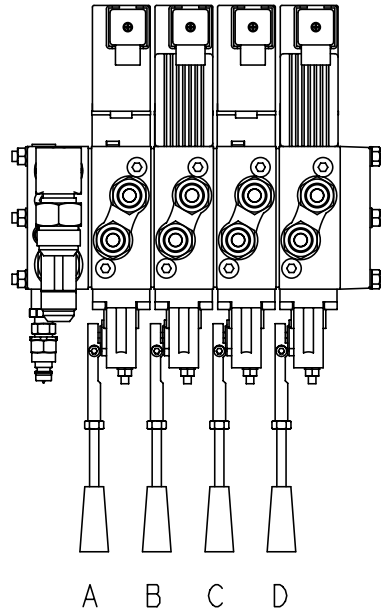
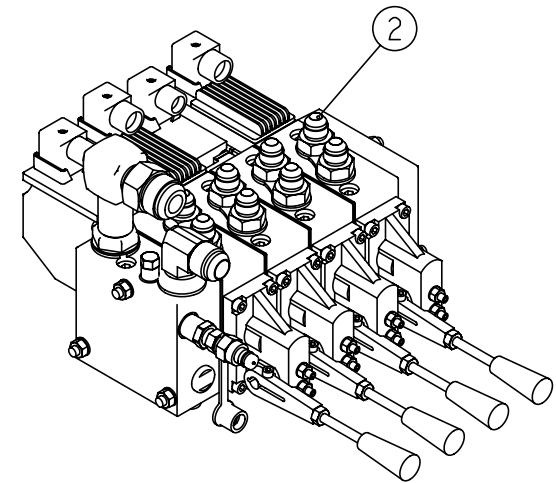
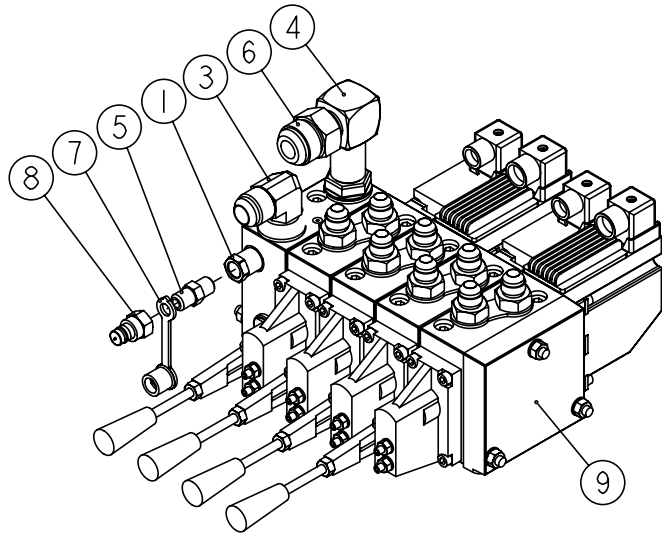
PRESSURIZED FILLER CAP

PNB02100

Intentionally left blank

5.2 AUTOMIZER™ HYDRAULICS

5.2.4 PROPORTIONAL VALVE



A = CRUSHER PANEL (IF EQUIPPED)
 B = GRABBER
 C = VERTICAL MOVEMENT OF THE ARM
 D = HORIZONTAL MOVEMENT OF THE ARM

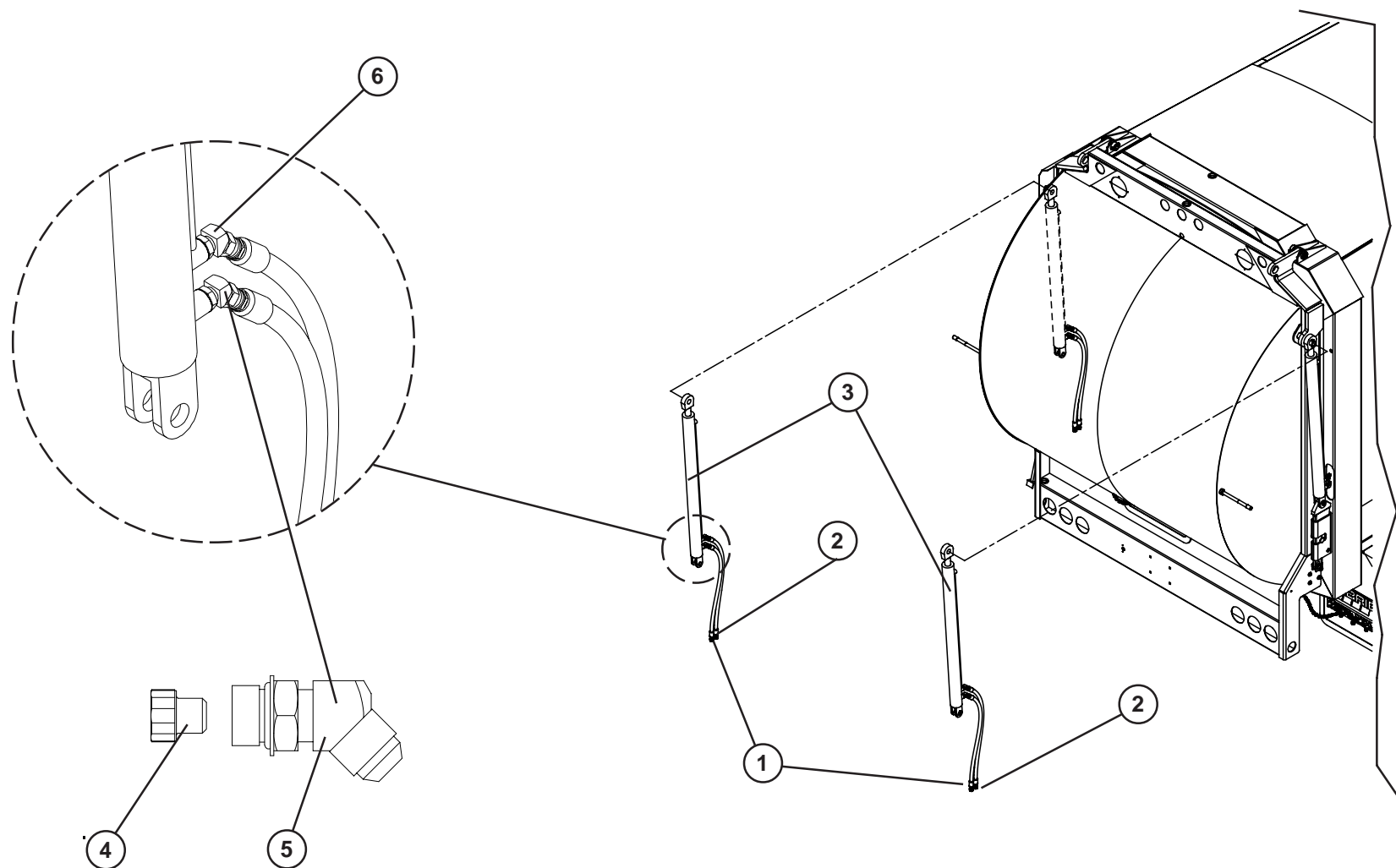
5.2 AUTOMIZER™ HYDRAULICS

5.2.4 PROPORTIONAL VALVE

Nº	PARTS Nº	DESCRIPTION	QTY.
1	HYF04690	Union Fitting	1
2	HYF04900	Union Fitting	1
3	HYF05135	90° Adaptor	8
4	HYF05155	Union Fitting	1
5	HYF09000	Union Fitting	1
6	HYF09625	Union Fitting	1
7	HYF10050	Protection Cap	1
8	HYF10200	Quick Connect	1
9	HYV04401	4-section Hydraulic valve	1

5.2 AUTOMIZER™ HYDRAULICS

5.2.5 TAILGATE CYLINDERS AND HOSES



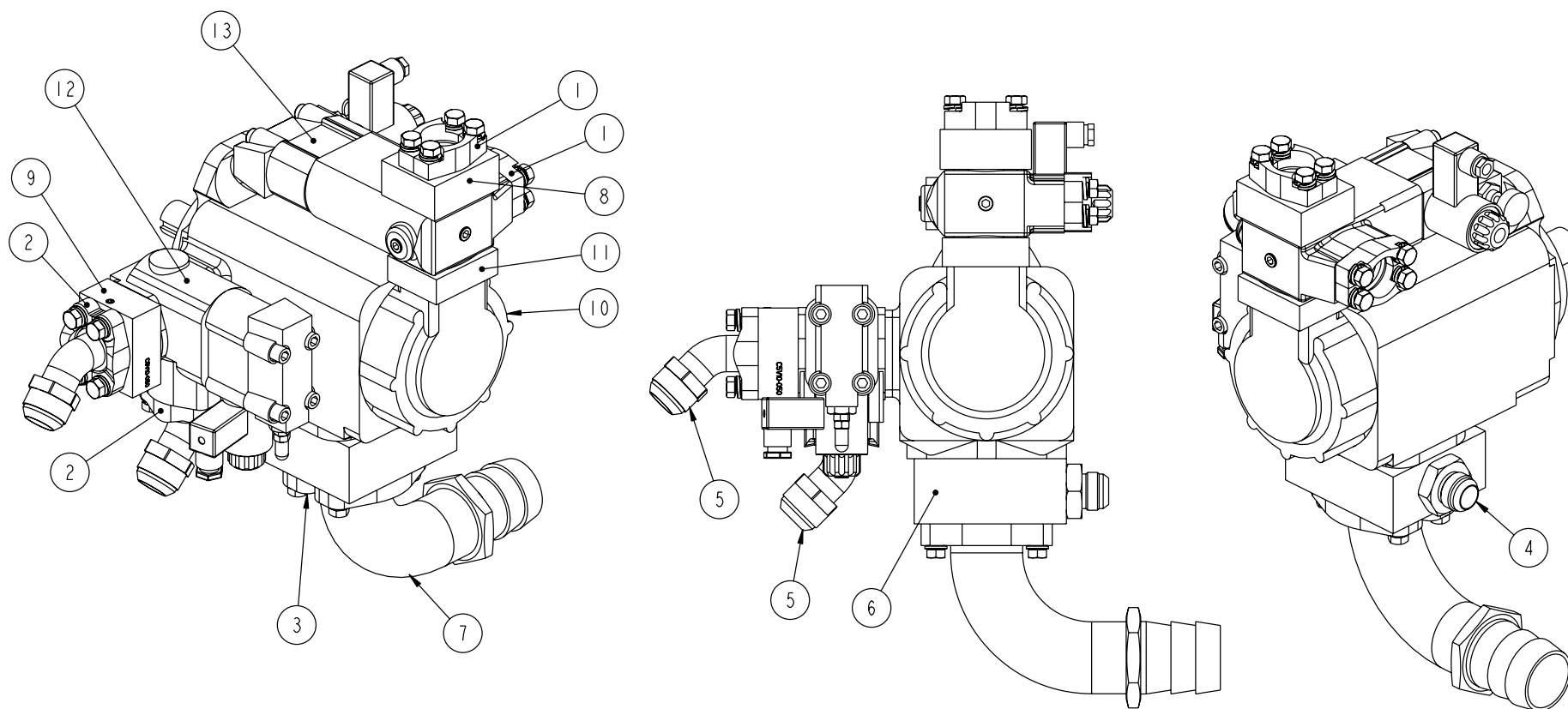
5.2 AUTOMIZER™ HYDRAULICS

5.2.5 TAILGATE CYLINDERS AND HOSES

Nº	PART Nº	DESCRIPTION	QTY.
1	10412	Hose, Pressure (Tailgate open)	2
2	10413	Hose, Return (Tailgate close)	2
3	HYC00320	Tailgate Cylinder	2
4	HYF05120	45° Fitting	1
5	15359	45° Fitting	1
6	15358	Cap	1

5.2 AUTOMIZER™ HYDRAULICS

5.2.6 HYDRAULIC PUMP



5.2 AUTOMIZER™ HYDRAULICS

5.2.6 HYDRAULIC PUMP

Nº	PART Nº	DESCRIPTION	QTY.
1	HYF00080	Flange	2
2	HYF00095	Split Flange Hardware	2
3	HYF00097	Adaptor, Clamp	1
4	HYF08555	Adaptor, Hyd.	1
5	HYF25105	Adaptor	2
6	HYF25450	Adaptor	1
7	HYF25500	Adaptor, Hyd.	1
8	HYP01425	Manifold	1
9	HYP01430	Manifold	1
10	HYP01490	Denison Pump, Double	1
11	HYP01550	Hydraulic Pump Shim	1
12	HYP01558	Dump Valve Assy	1
13	HYP01567	Dump Valve Assy	1

