

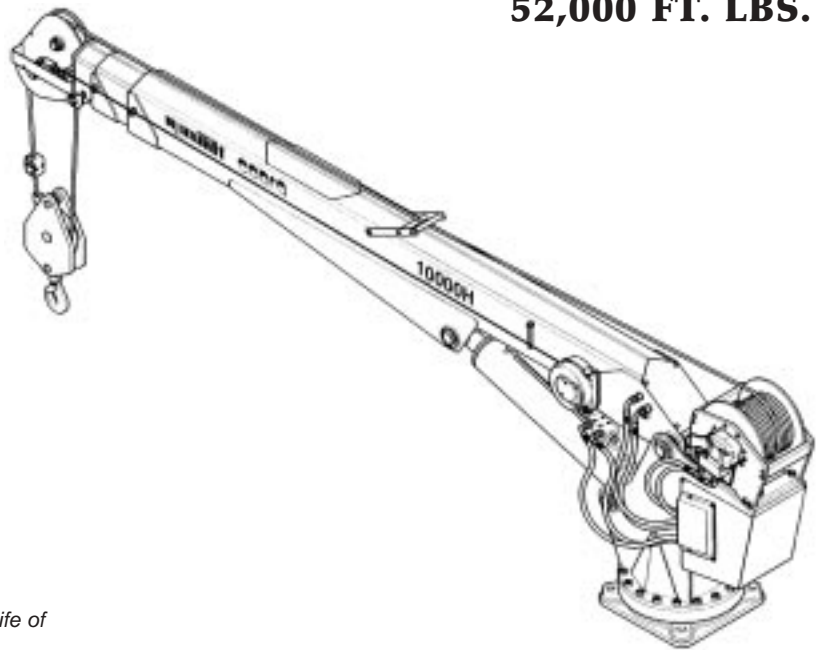


# cobra 10000H

**PTO - HYDRAULIC CRANES**  
**52,000 FT. LBS.**

## STANDARD FEATURES

- Engineered for 12 - 15 years of service\*
- High strength hexagonal Swedish steel boom
- Fully hydraulic boom extension/retraction
- Planetary hydraulic hoist winch
- Shear-ball bearing rotation system
- Planetary rotation drive
- Load limiting device
- Proportional multi-function control valve
- Remote control - wireless and/or wired
- Emergency manual controls
- 2 part block
- Anti-2 block safety switch
- Painted Cobra white with polyurethane enamel



\* Cobra crane structures are designed for a normal working life of 12 to 15 years according to the DIN Standard 15018 classification H2-B3.

## TECHNICAL DATA

- Crane rating 52,000 ft. lbs.
- Horizontal reach 22 ft.
- Elevation angle -10 to +75 degrees
- Slewing angle continuous unlimited
- Winch capacity, bare drum 5,060 lbs.
- Winch speed, single line 40 fpm
- Wire rope, non-rotating 115 ft of 7/16"
- Oil flow and pressure 7 gpm@2,450 psi
- Crane weight 1,850 lbs.

## LIFTING CAPACITIES

FT.	LBS.	FT.	LBS.
5	10000	14	3700
6	8650	15	3450
7	7400	16	3250
8	6500	17	3050
9	5750	18	2850
10	5200	19	2700
11	4700	20	2600
12	4300	21	2450
13	4000	22	2300

## OPTIONS / ACCESSORIES

- Outriggers - manual or hydraulic
- Oil reservoir

